

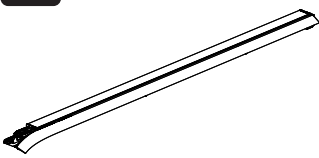

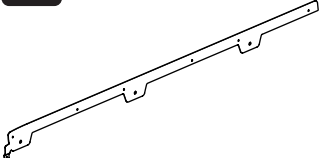
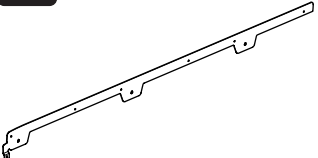
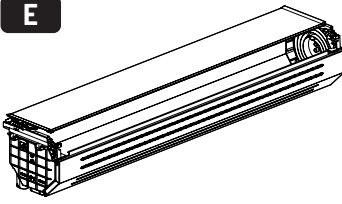
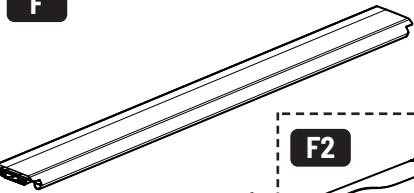

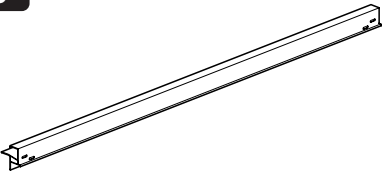
MOUNTAIN TOP® EVOm ROLL COVER

Installation manual

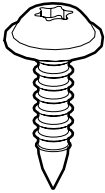
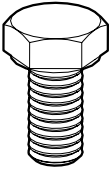
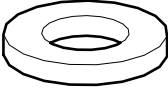
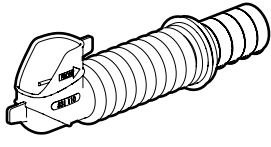
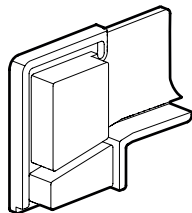
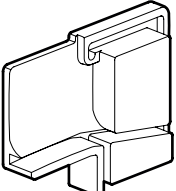
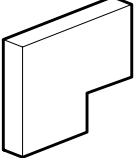
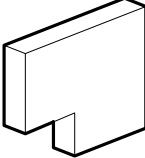
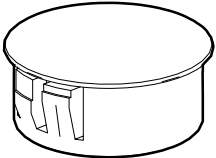
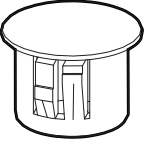
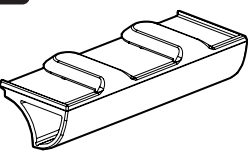
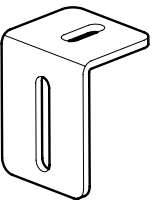
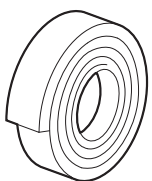
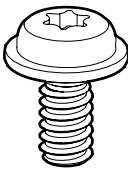
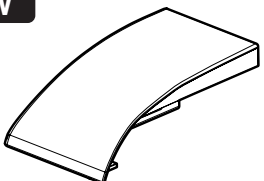
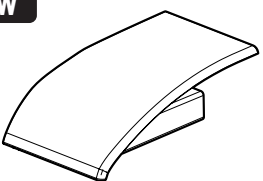
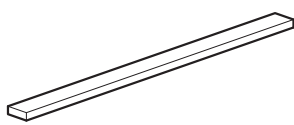
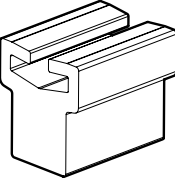
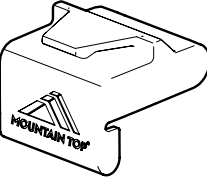


DOWNLOAD PDF

Parts

<p>A</p>  <p>x1</p>	<p>B</p>  <p>x1</p>	<p>C</p>  <p>x1</p>	<p>D</p>  <p>x1</p>
<p>E</p>  <p>x1</p>	<p>F</p>  <p>x1</p> <div data-bbox="845 526 1029 649" style="border: 1px dashed black; padding: 2px;"> <p>F2</p>  <p>x1</p> </div>	<p>G</p>  <p>x1</p>	

Kit

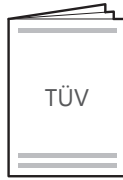
<p>H</p>  <p>x19</p>	<p>I</p>  <p>x12</p>	<p>J</p>  <p>x12</p>	<p>K</p>  <p>x2</p>
<p>L</p>  <p>x1</p>	<p>M</p>  <p>x1</p>	<p>N</p>  <p>x1</p>	<p>O</p>  <p>x1</p>
<p>P</p>  <p>x2</p>	<p>Q</p>  <p>x2</p>	<p>R</p>  <p>x2</p>	<p>S</p>  <p>x6</p>
<p>T</p>  <p>x1</p>	<p>U</p>  <p>x4</p>	<p>V</p>  <p>x1</p>	<p>W</p>  <p>x1</p>
<p>X</p>  <p>x2</p>	<p>Y</p>  <p>x4</p>	<p>Z</p>  <p>x2</p>	

Kit



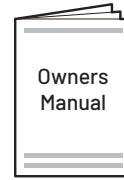
Manual

x1



TÜV

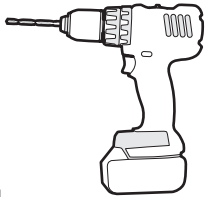
x1



Owners
Manual

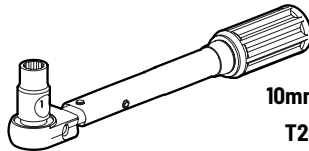
x1

Tools needed



Ø3.5MM
Ø2.4MM

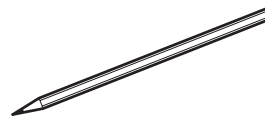
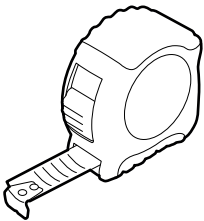
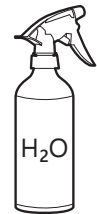
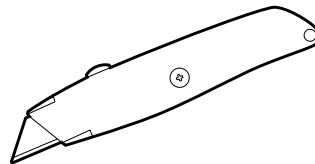
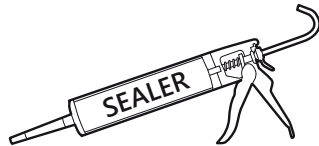
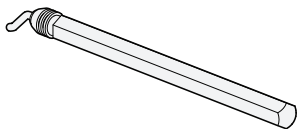
1 - 25 Nm



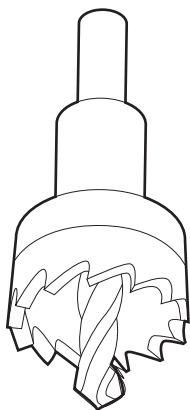
10mm
T20
T30



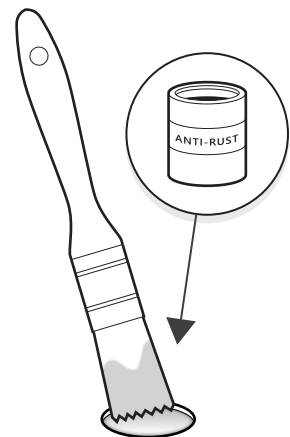
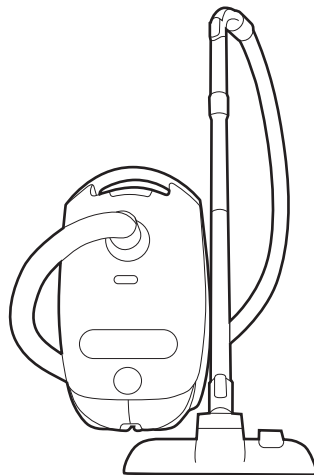
Rust protection
Rostschutzmittel
Anti-rouille
Anti roest

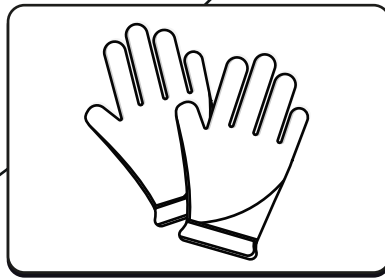


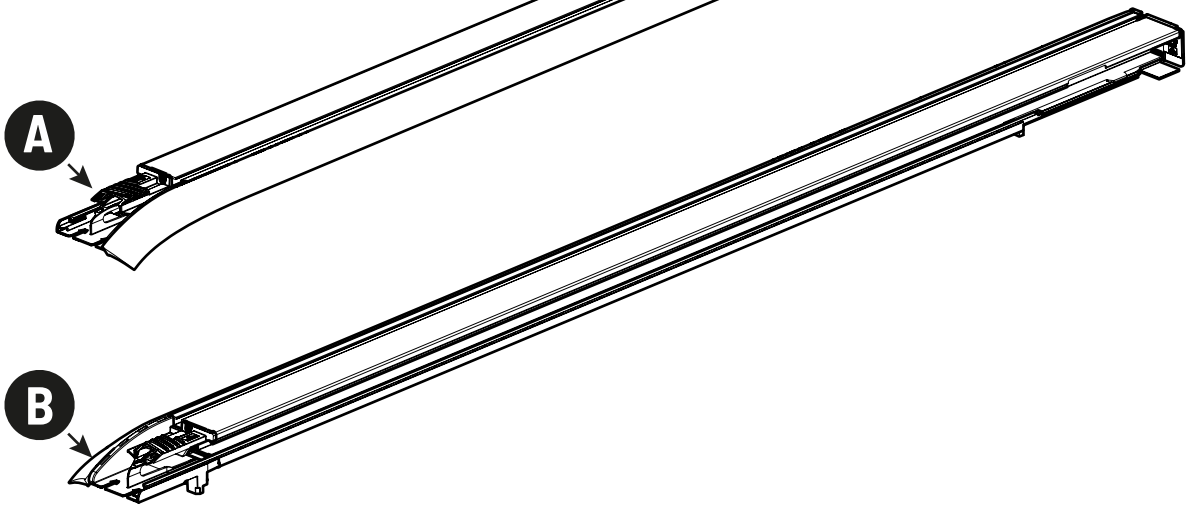
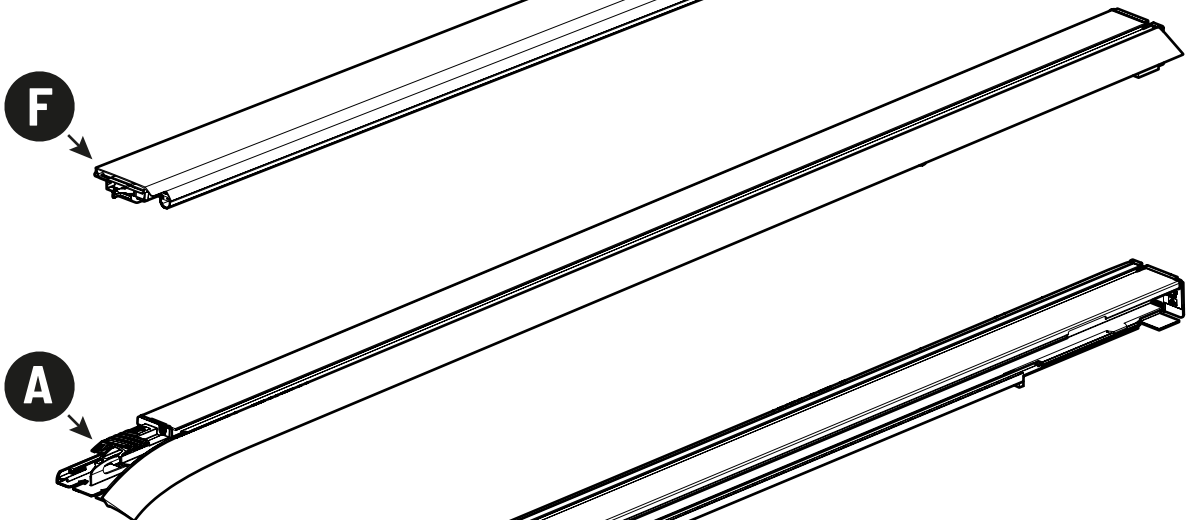
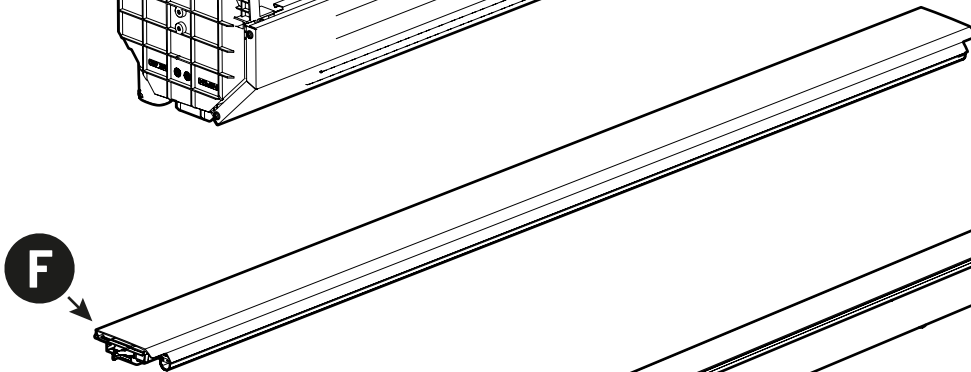
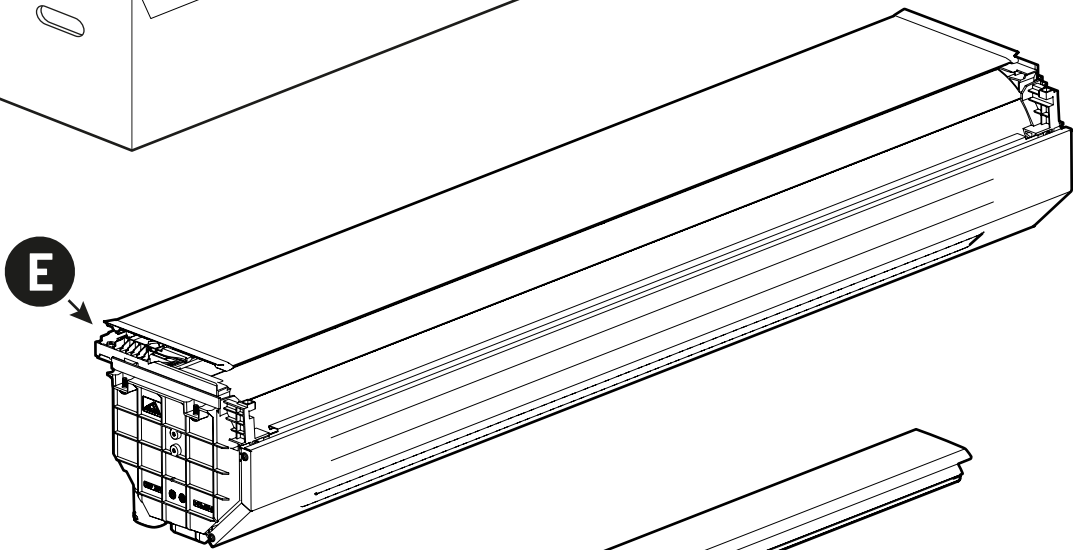
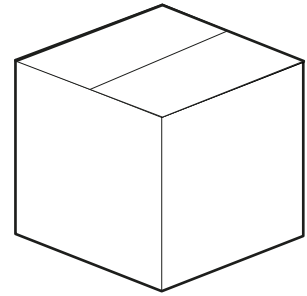
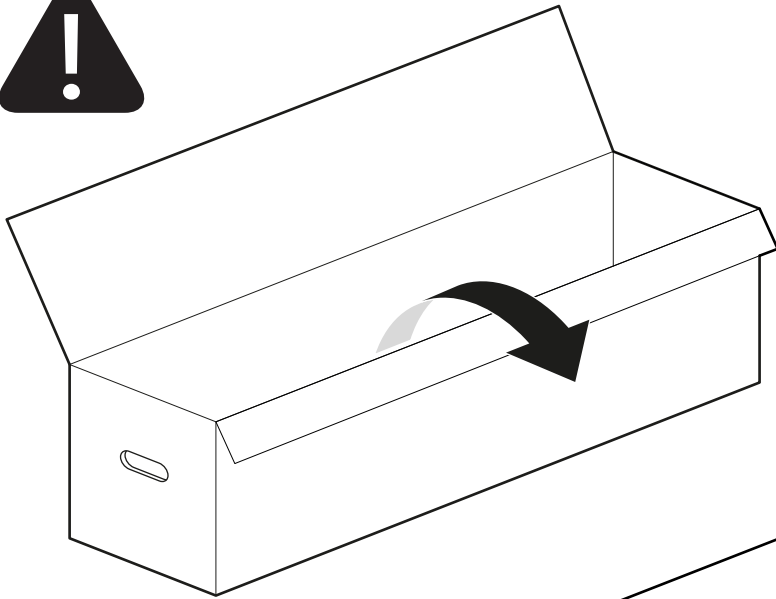
Applying rust protection



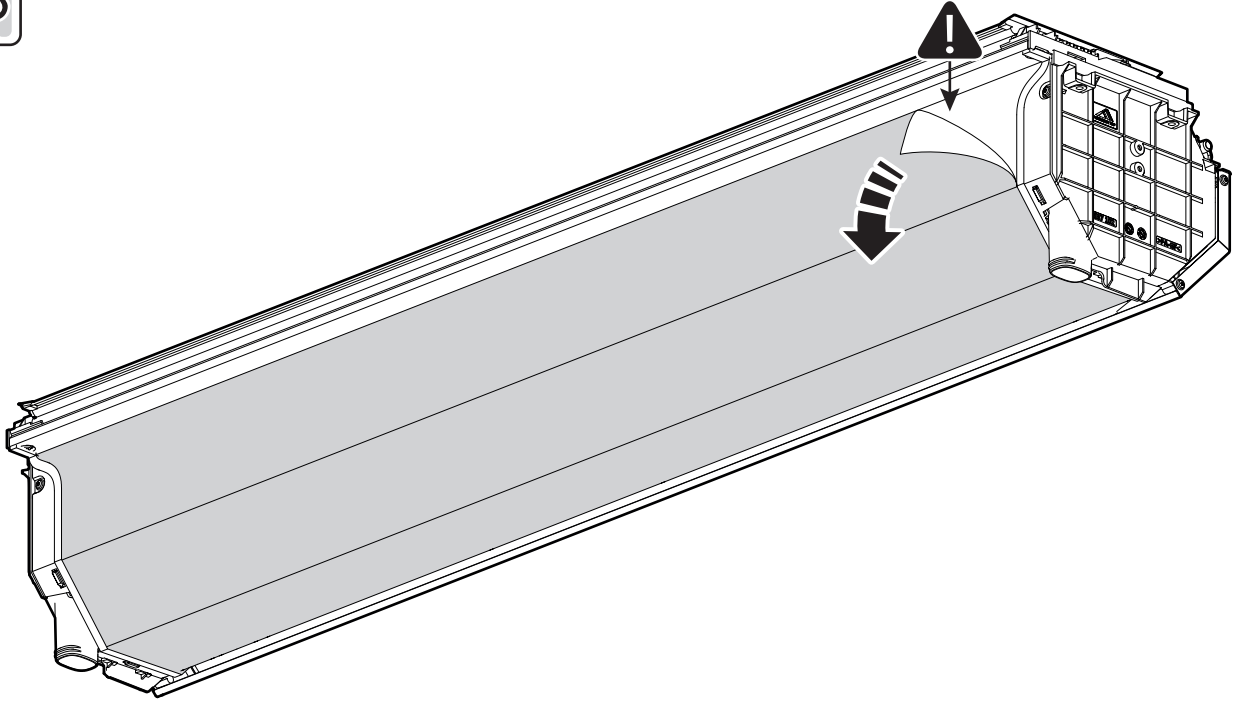
Ø32 + Ø18 MM



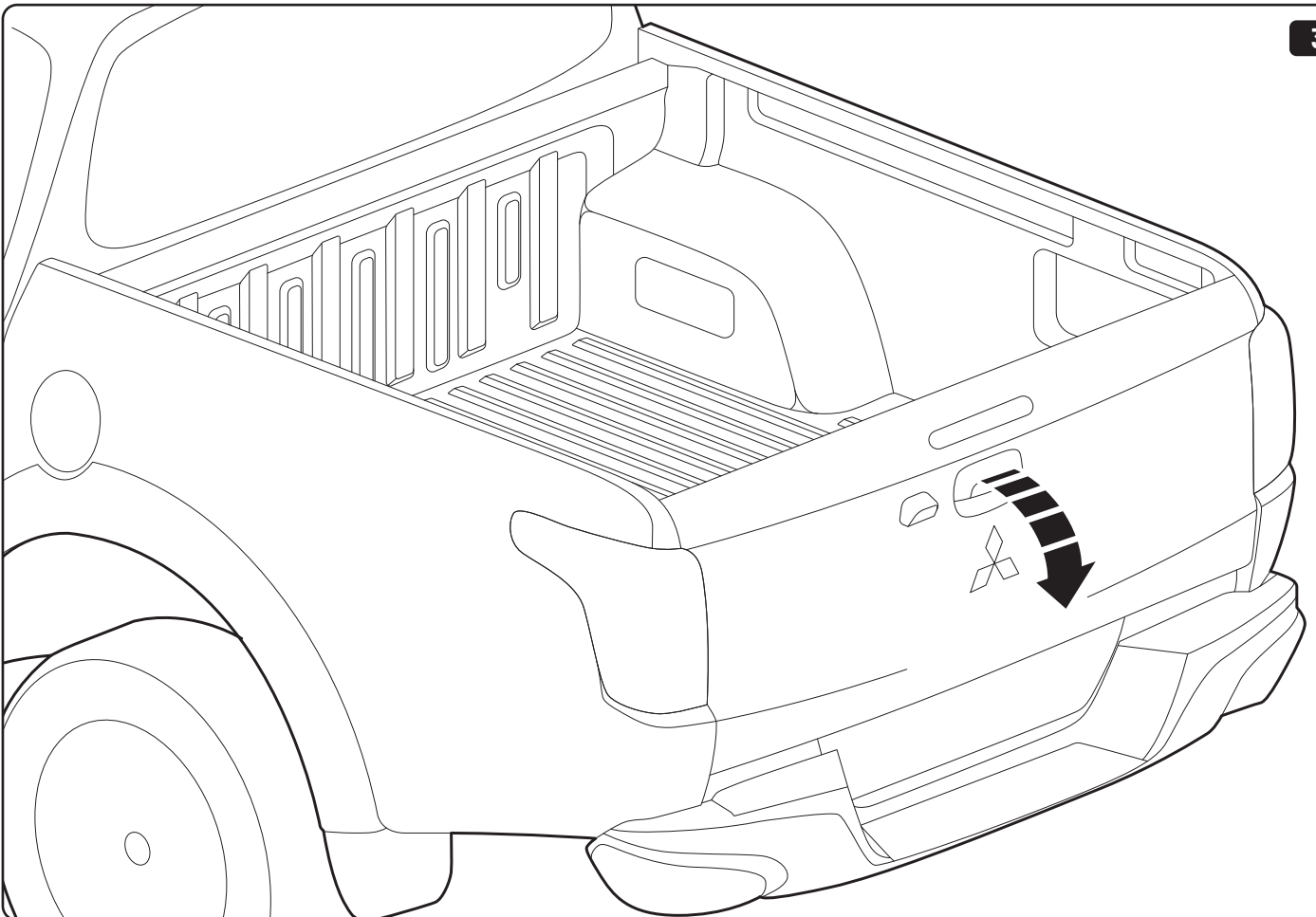




2

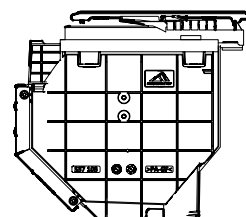
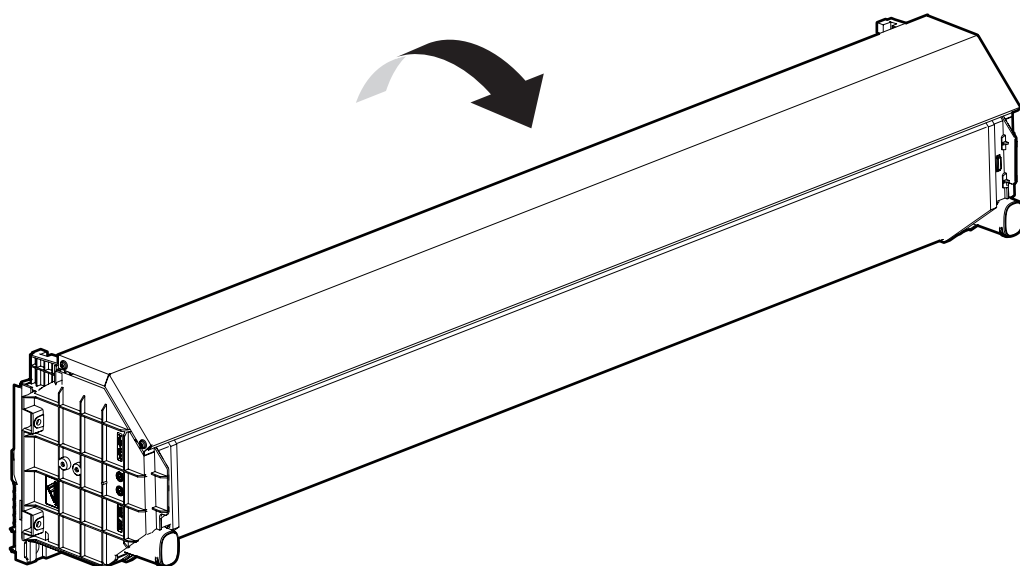


3

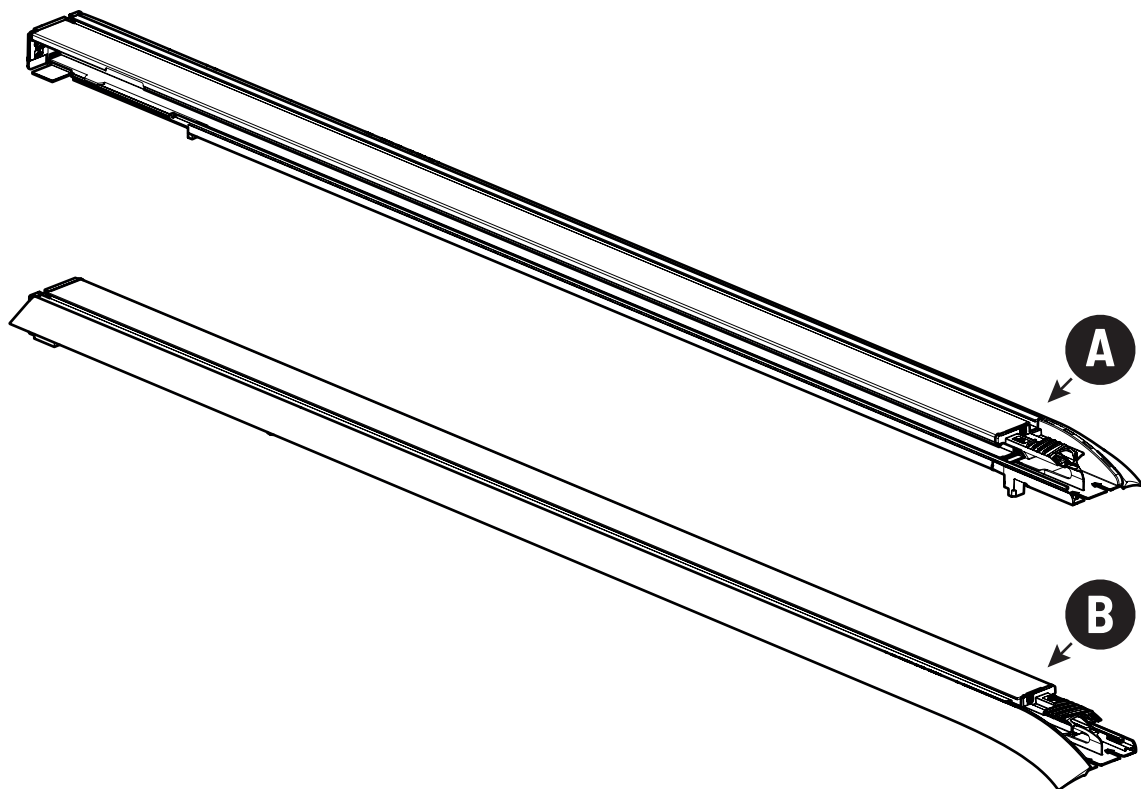


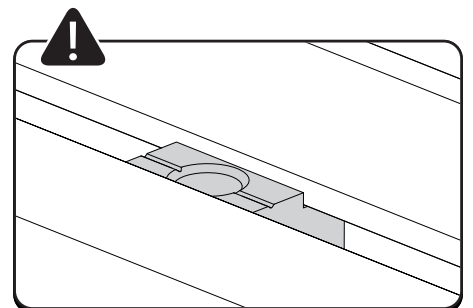
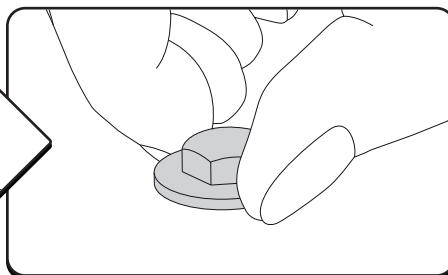
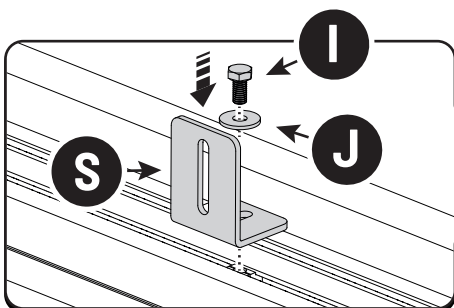
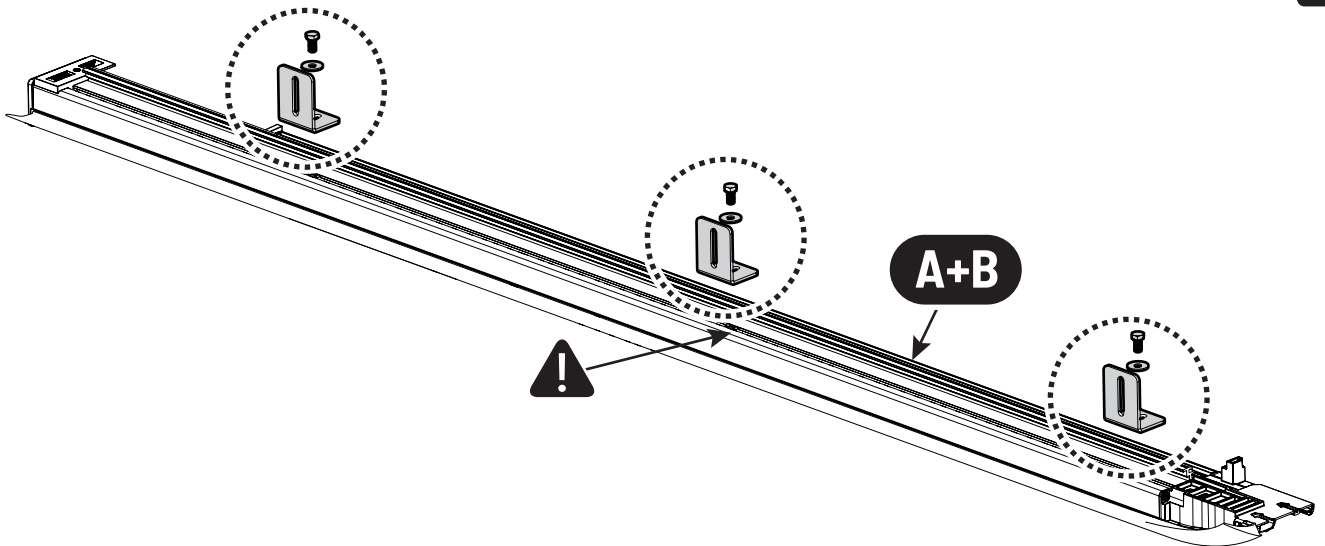
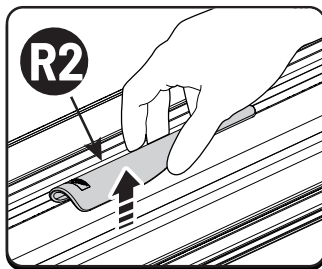
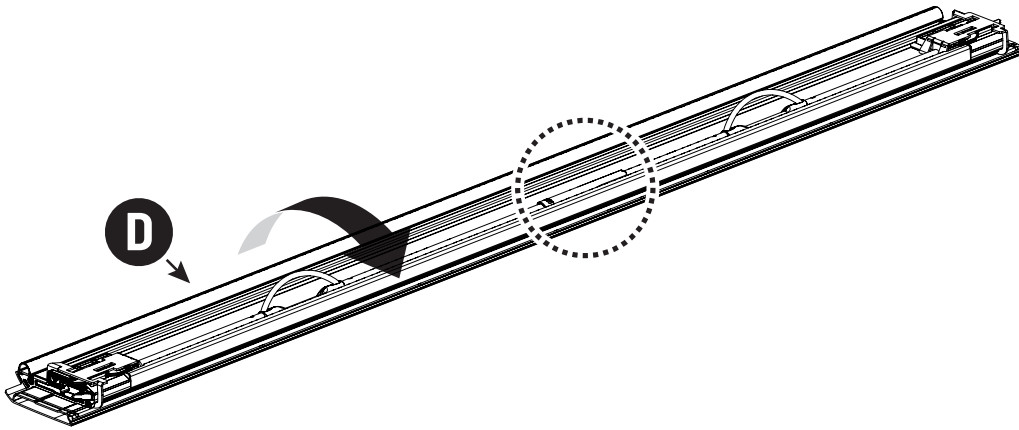


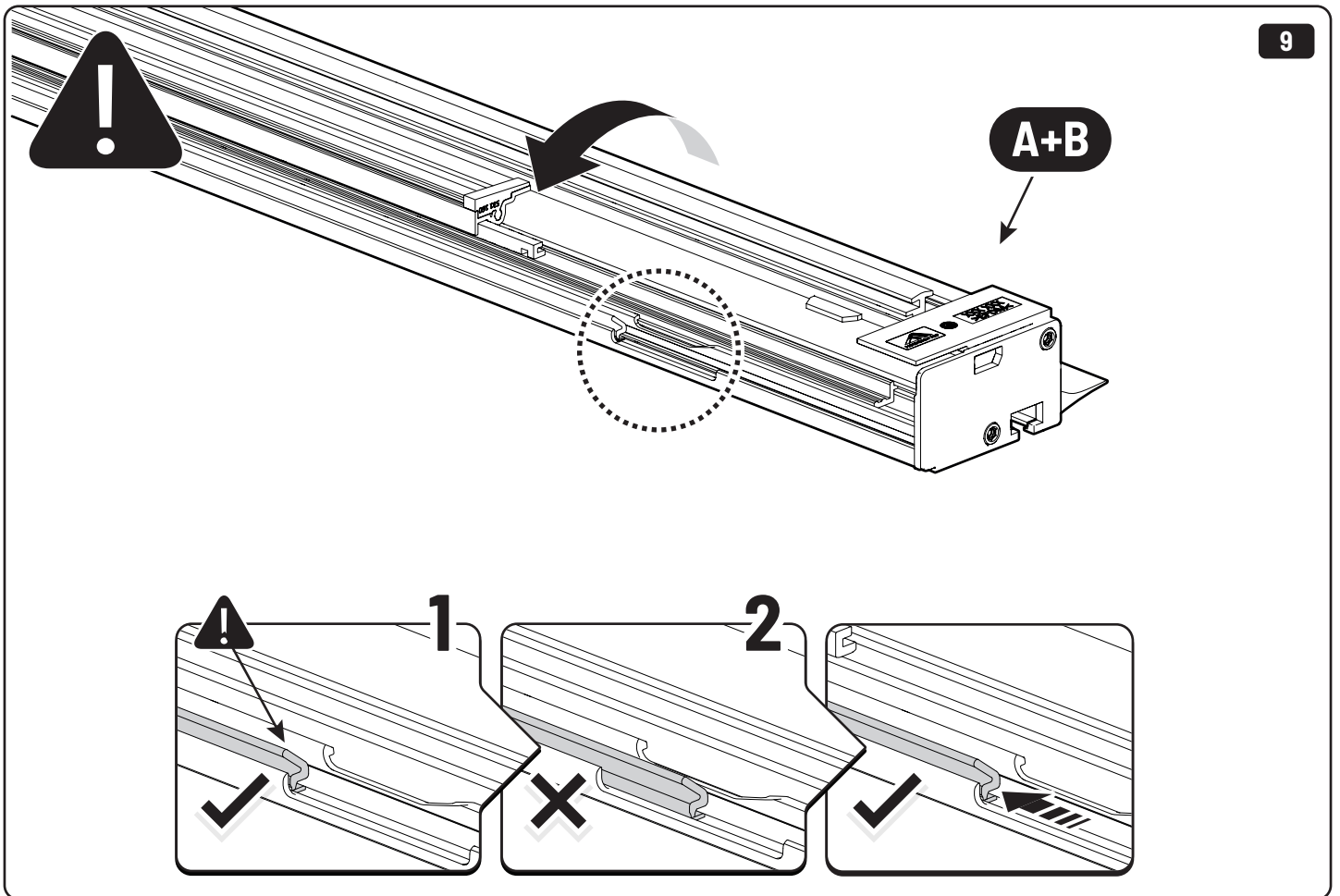
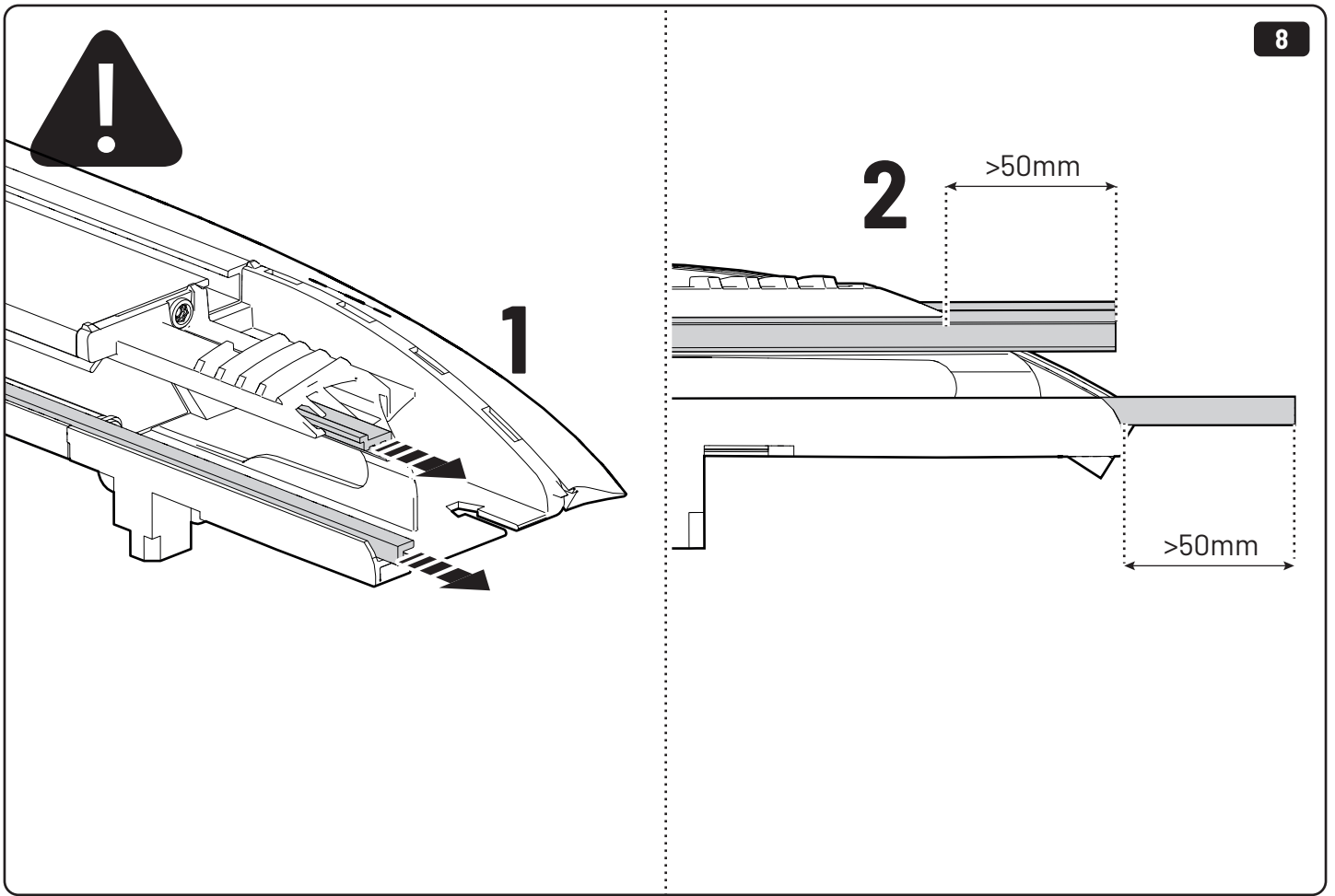
4

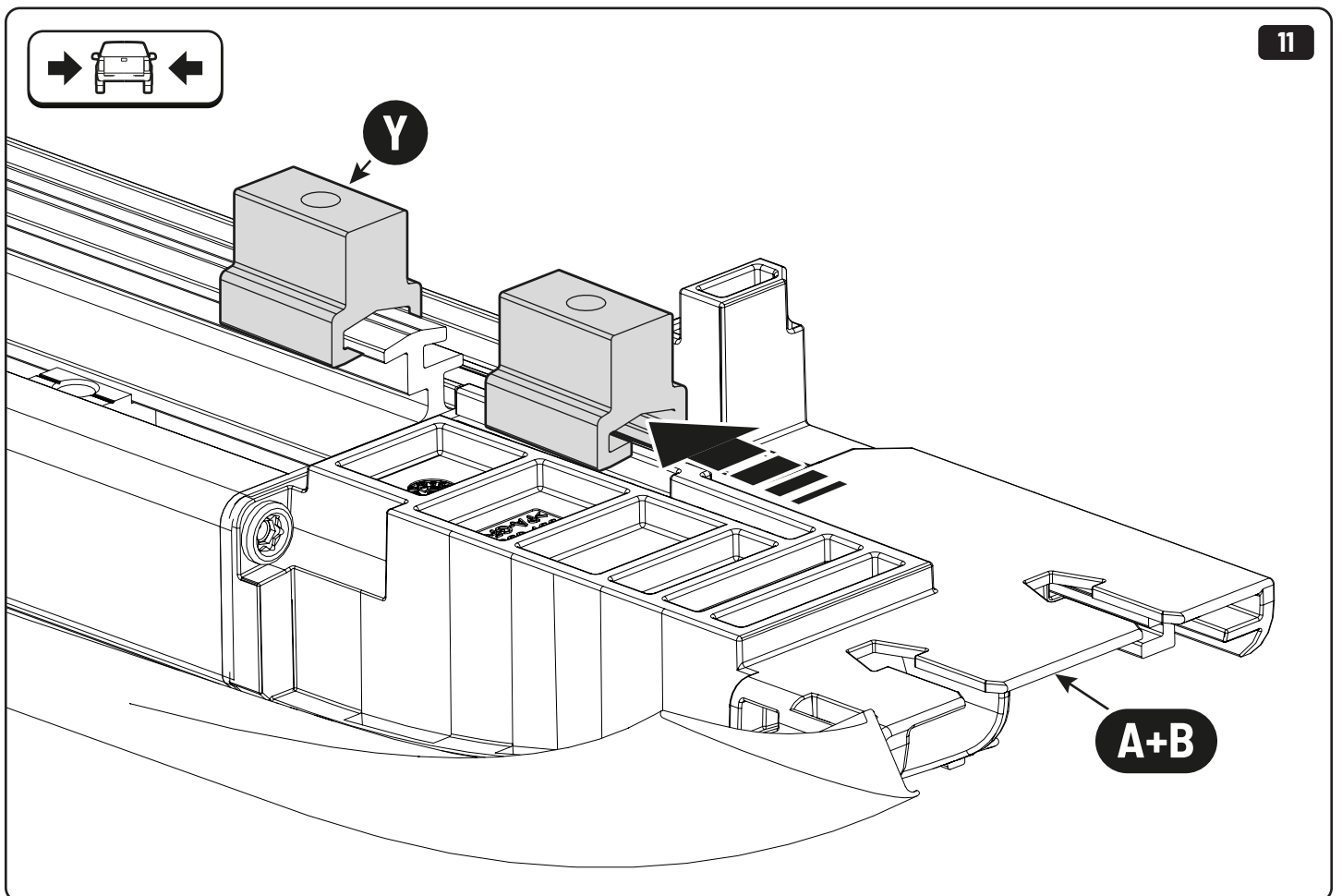
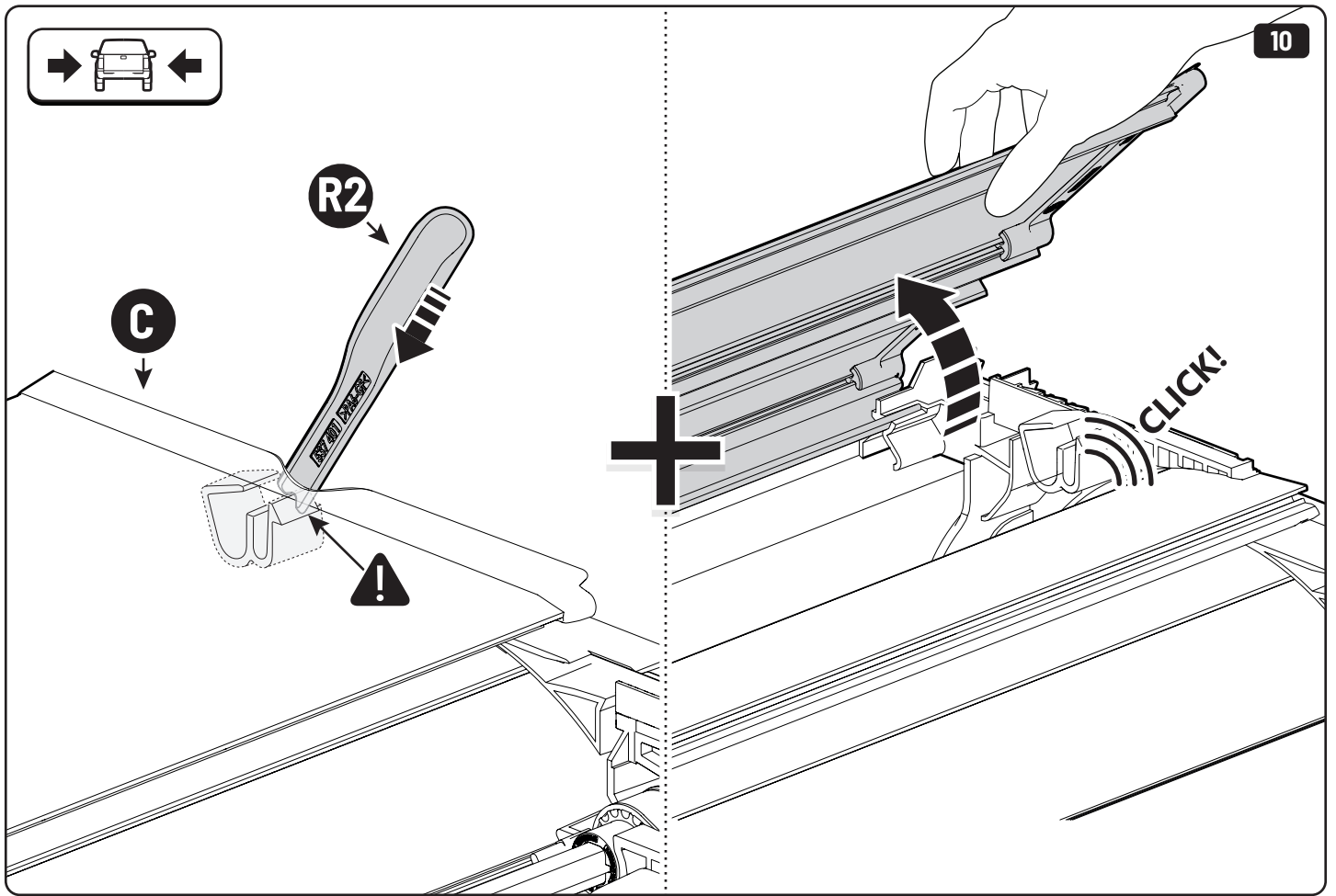


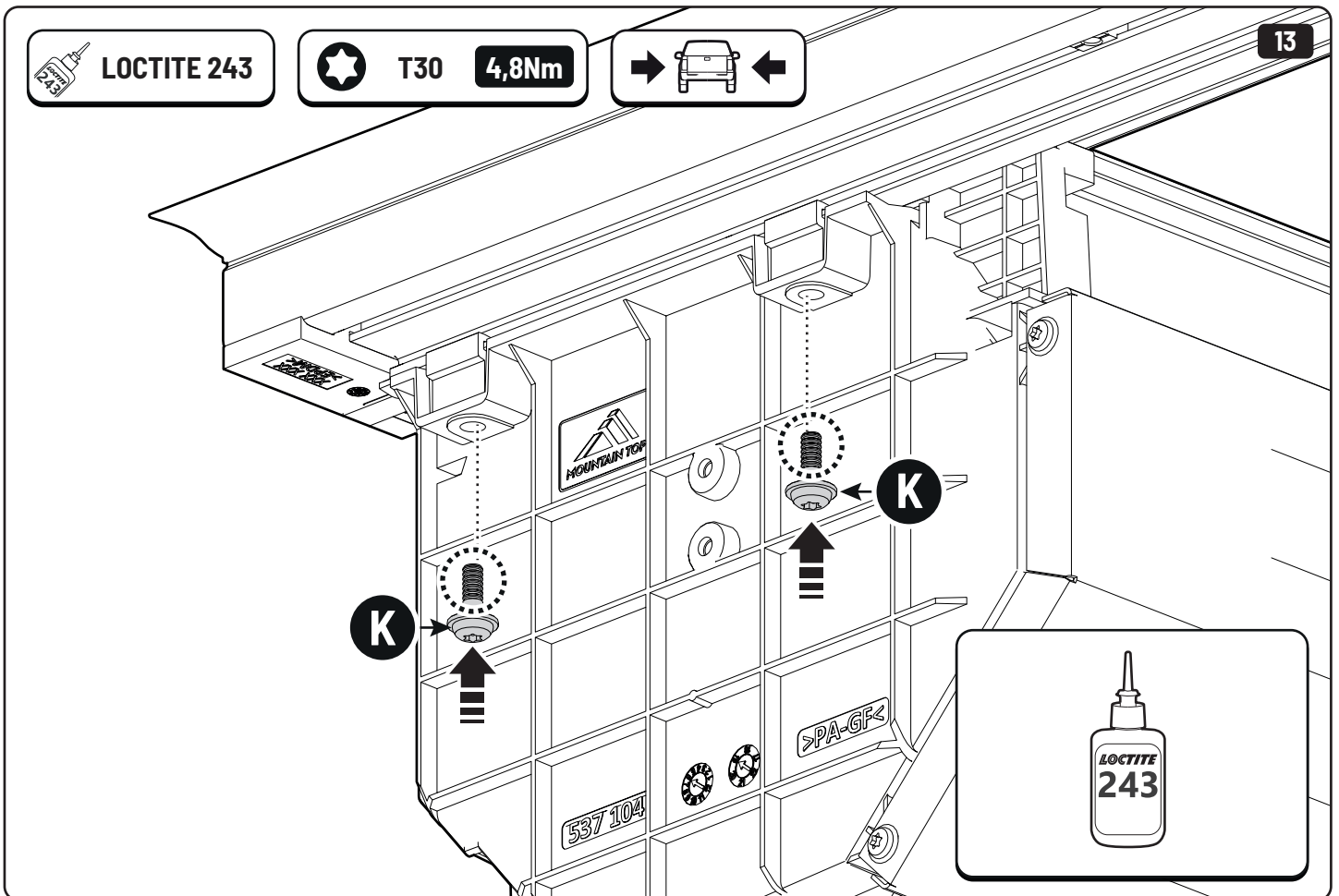
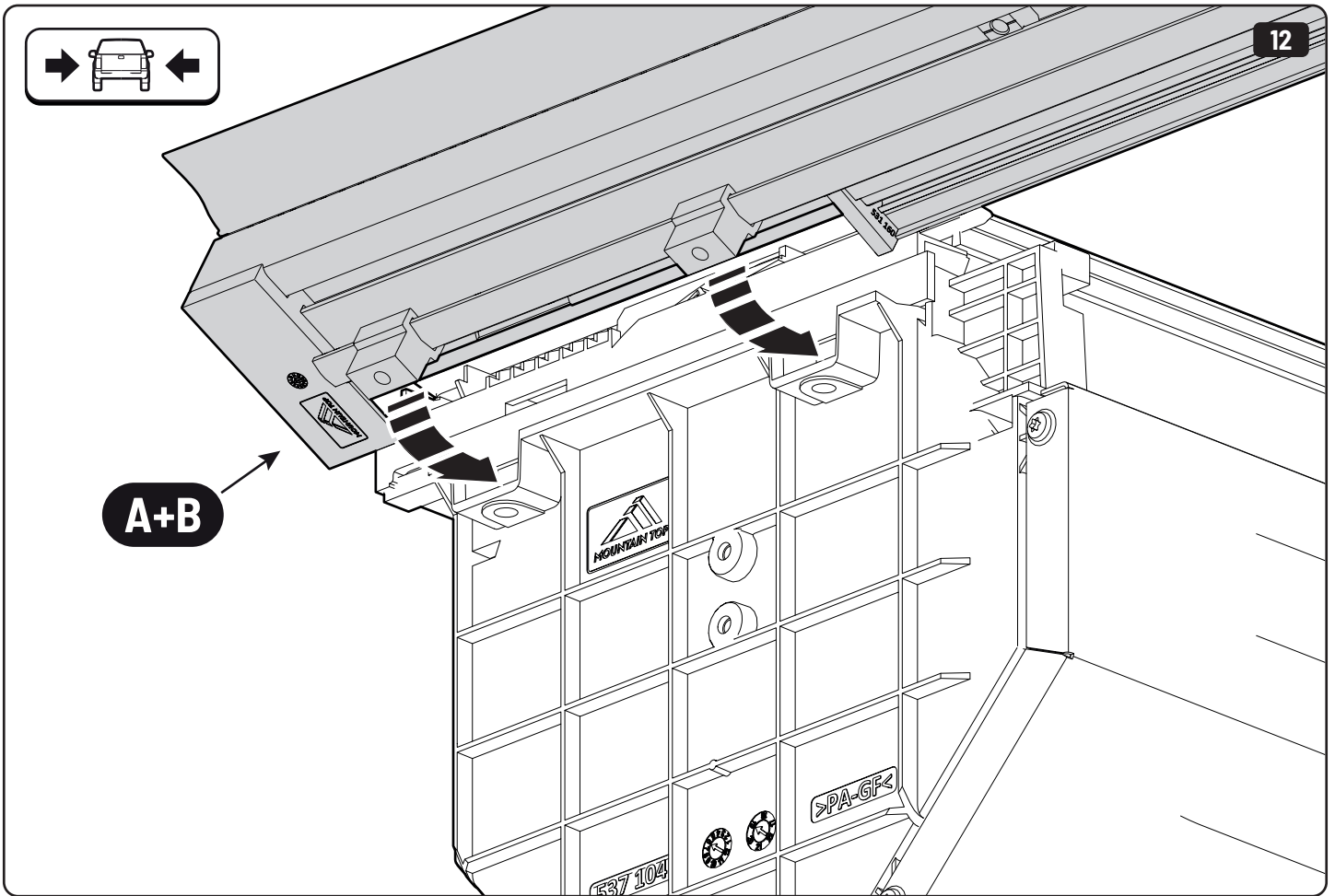
5





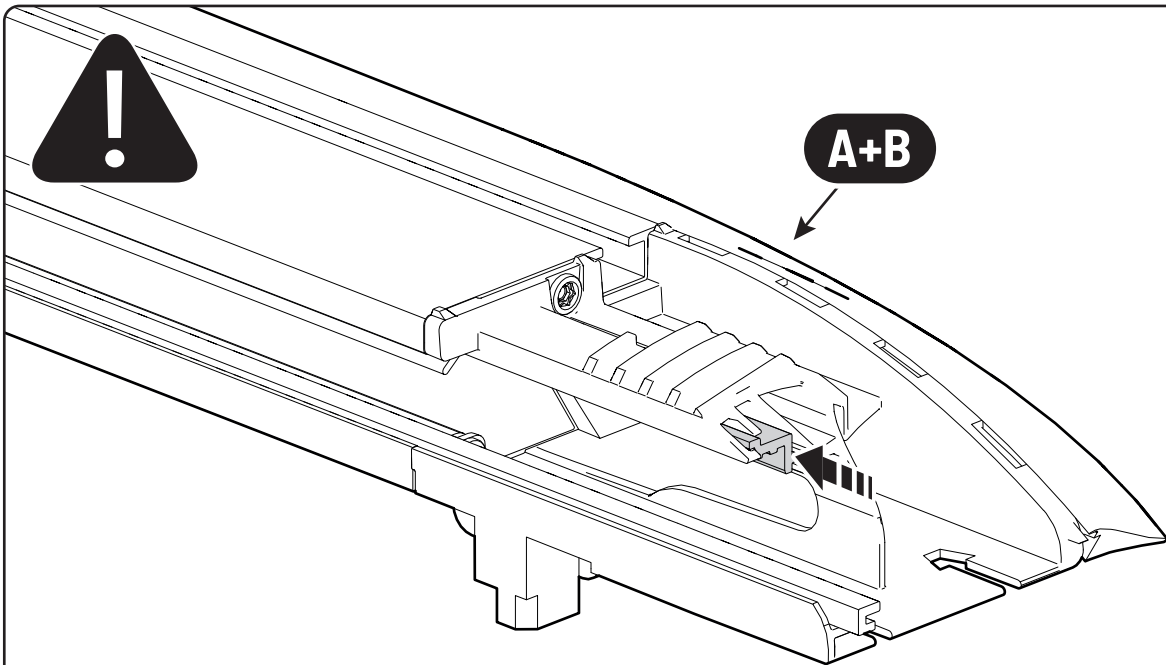








A+B

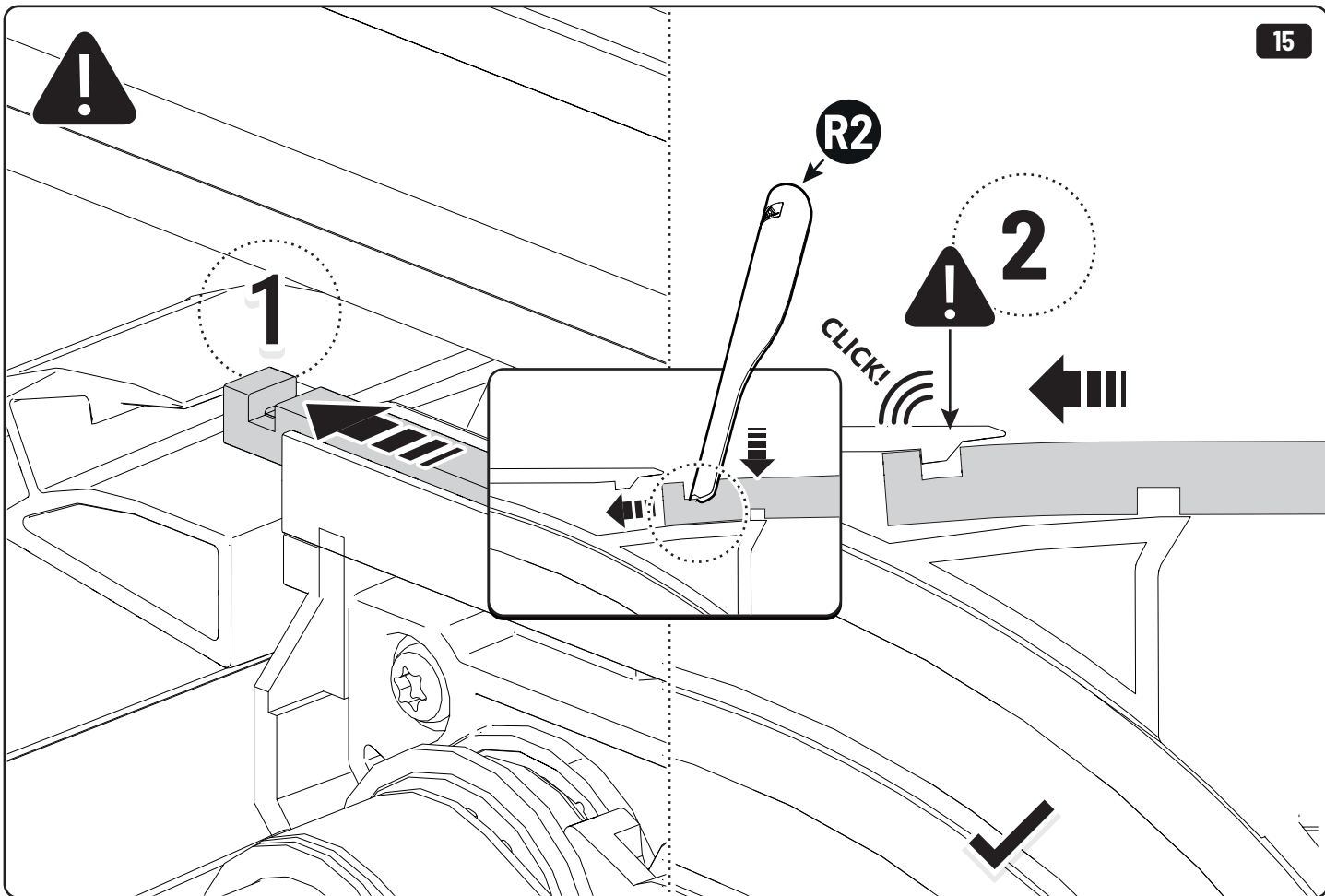


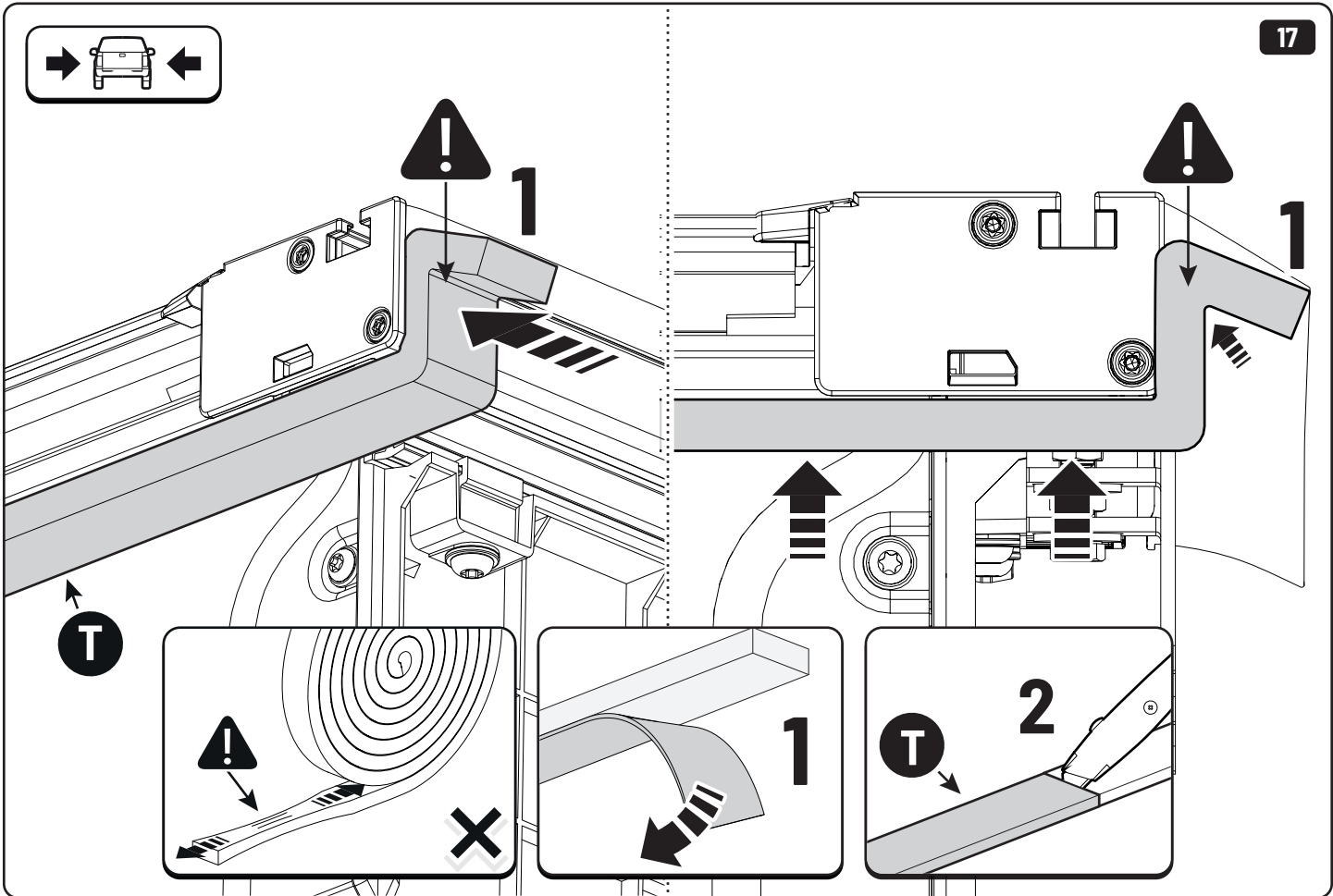
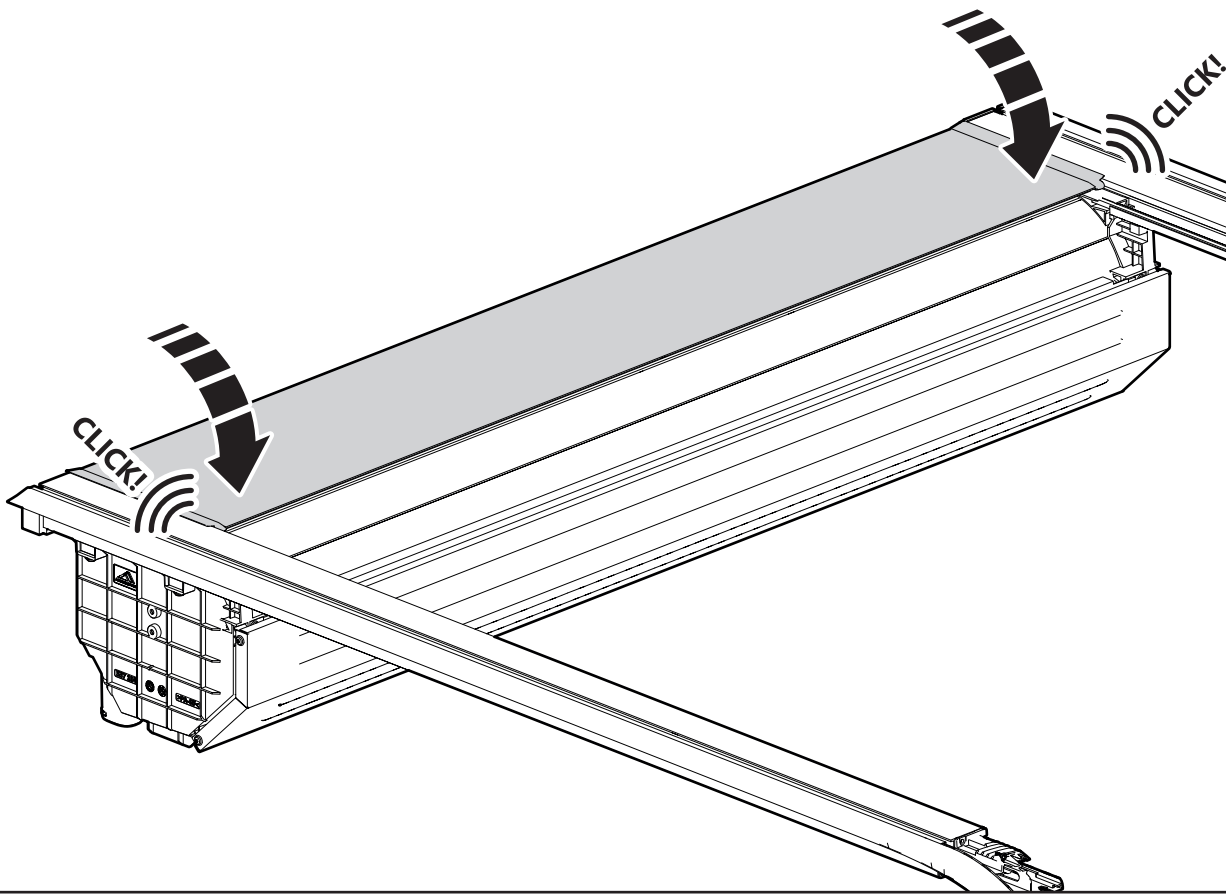
R2

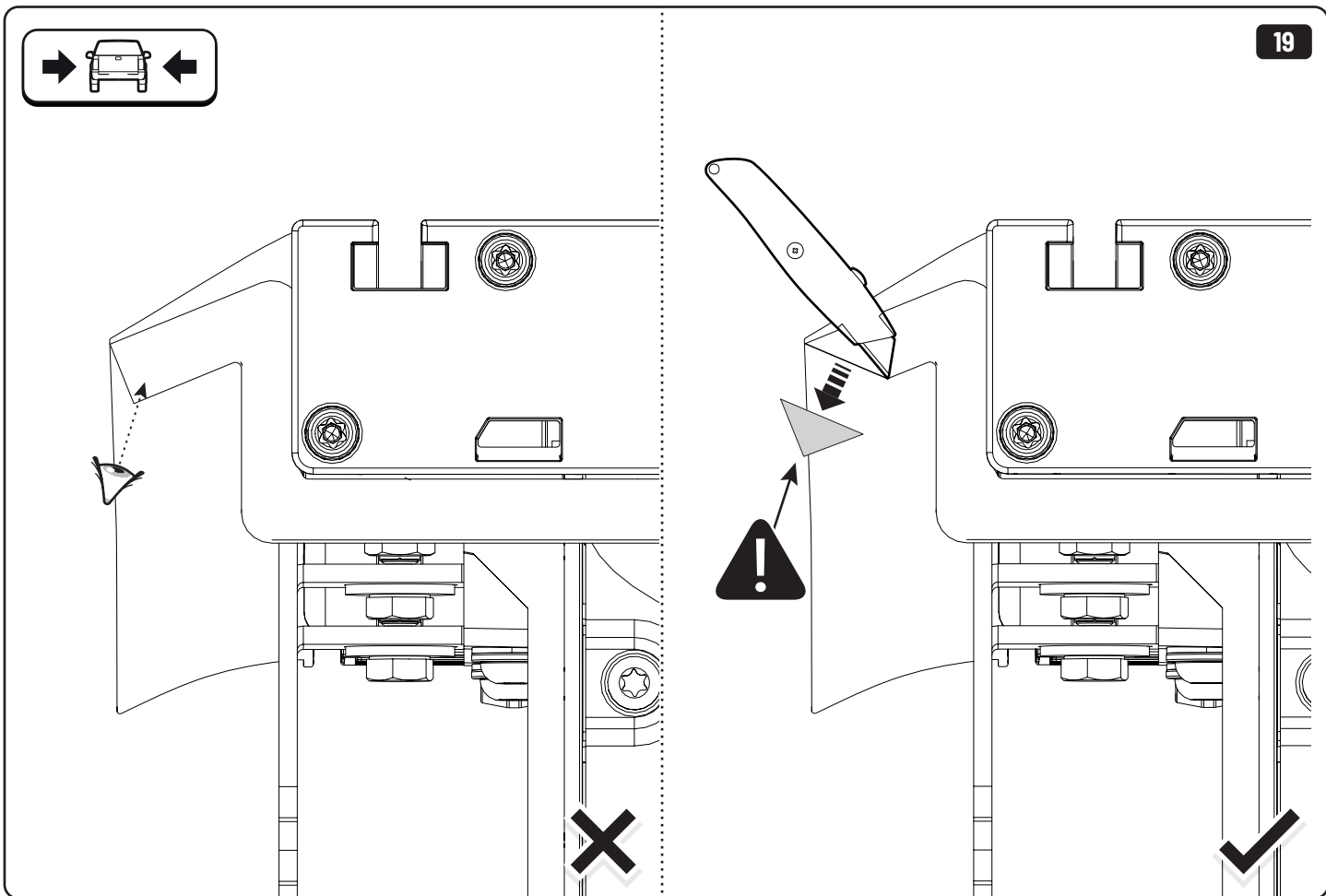
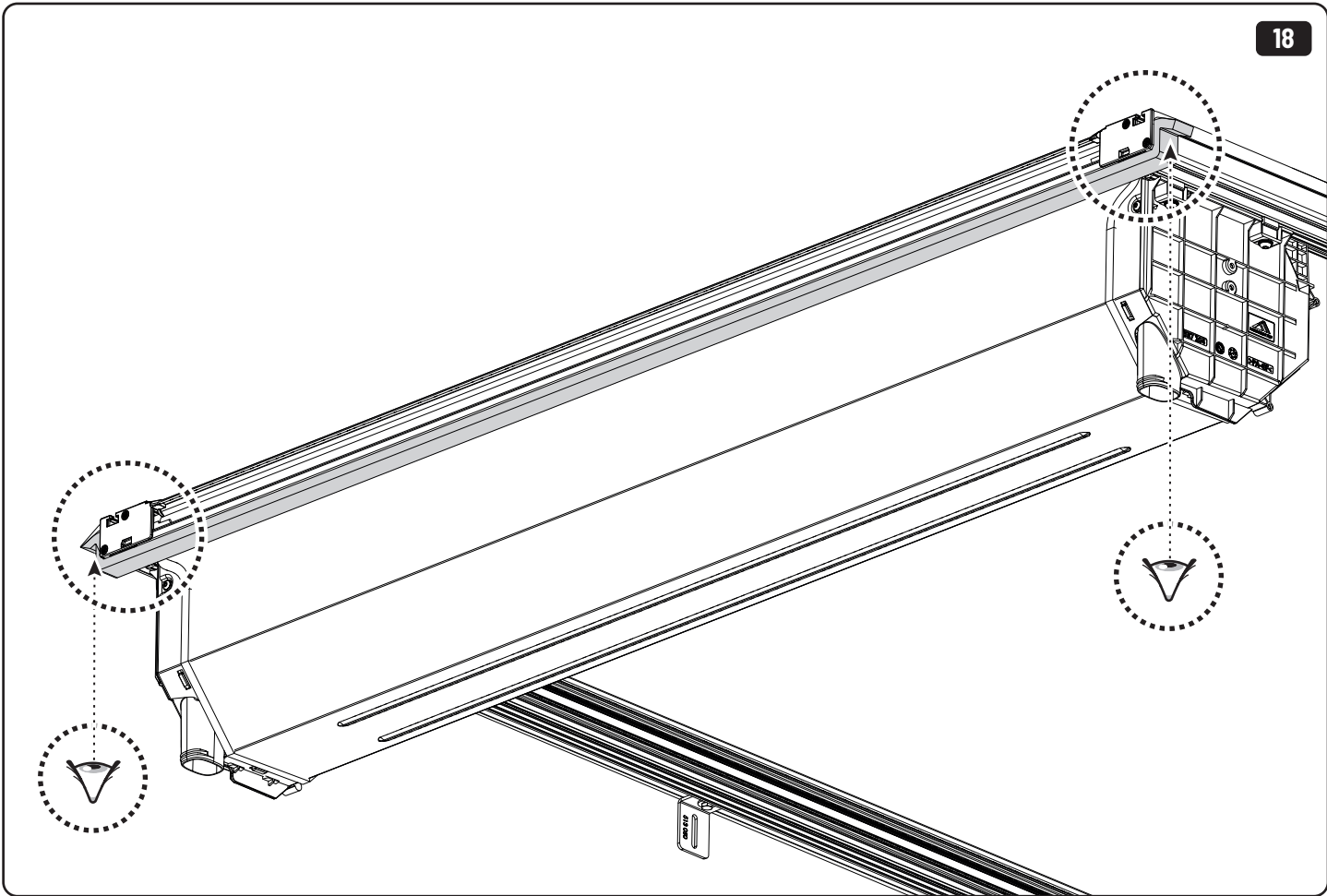
2

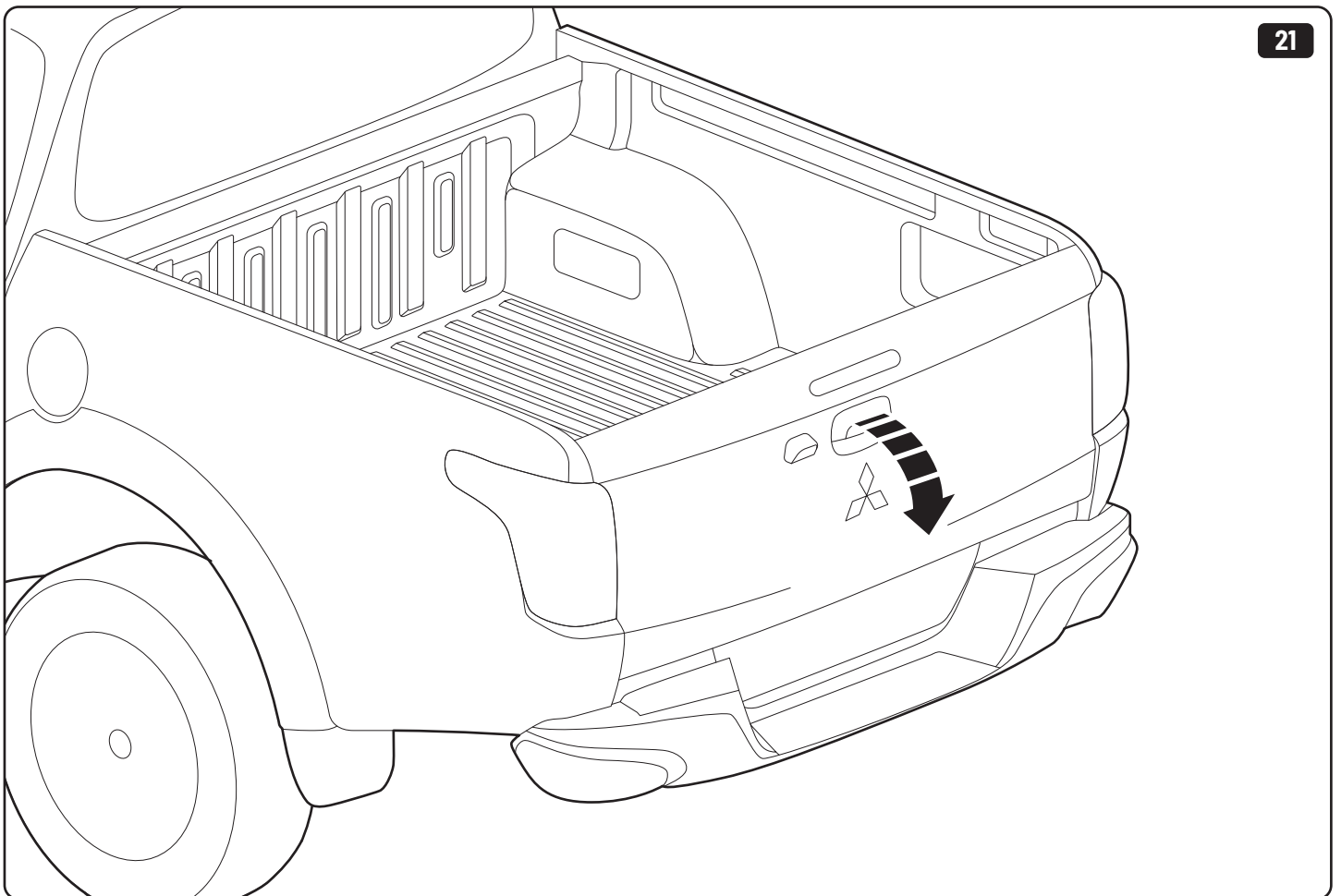
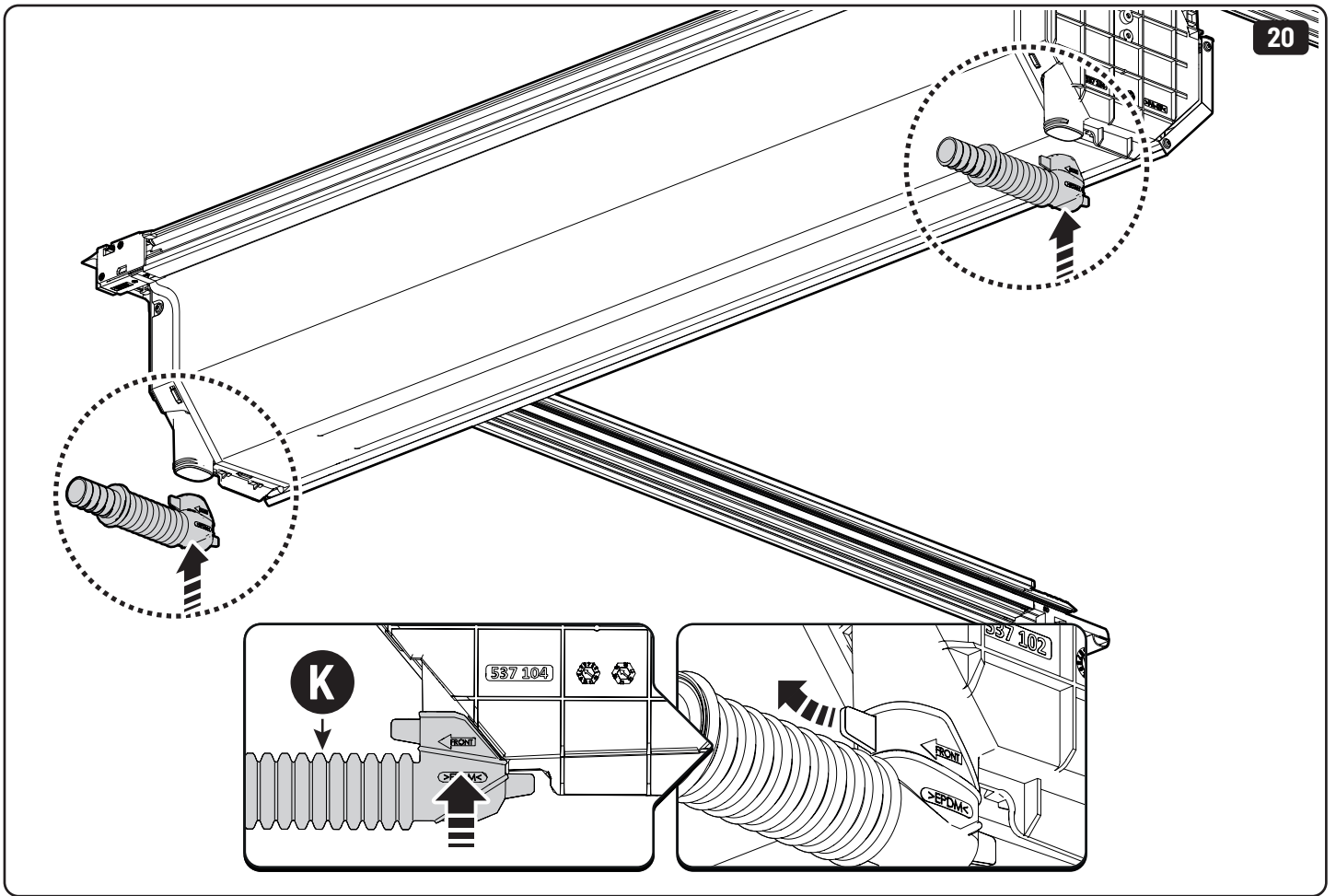
1

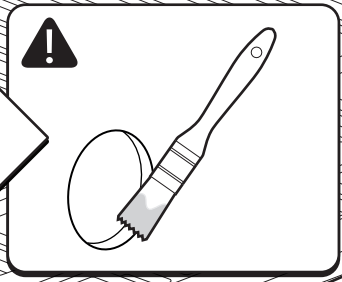
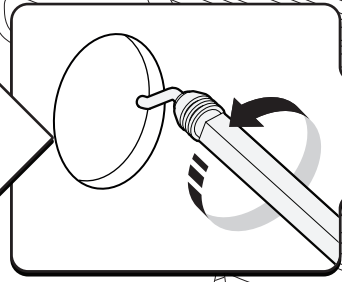
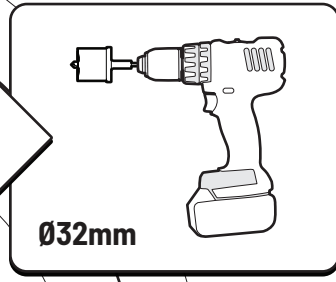
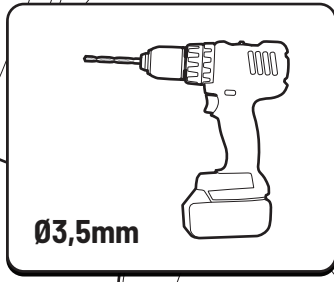
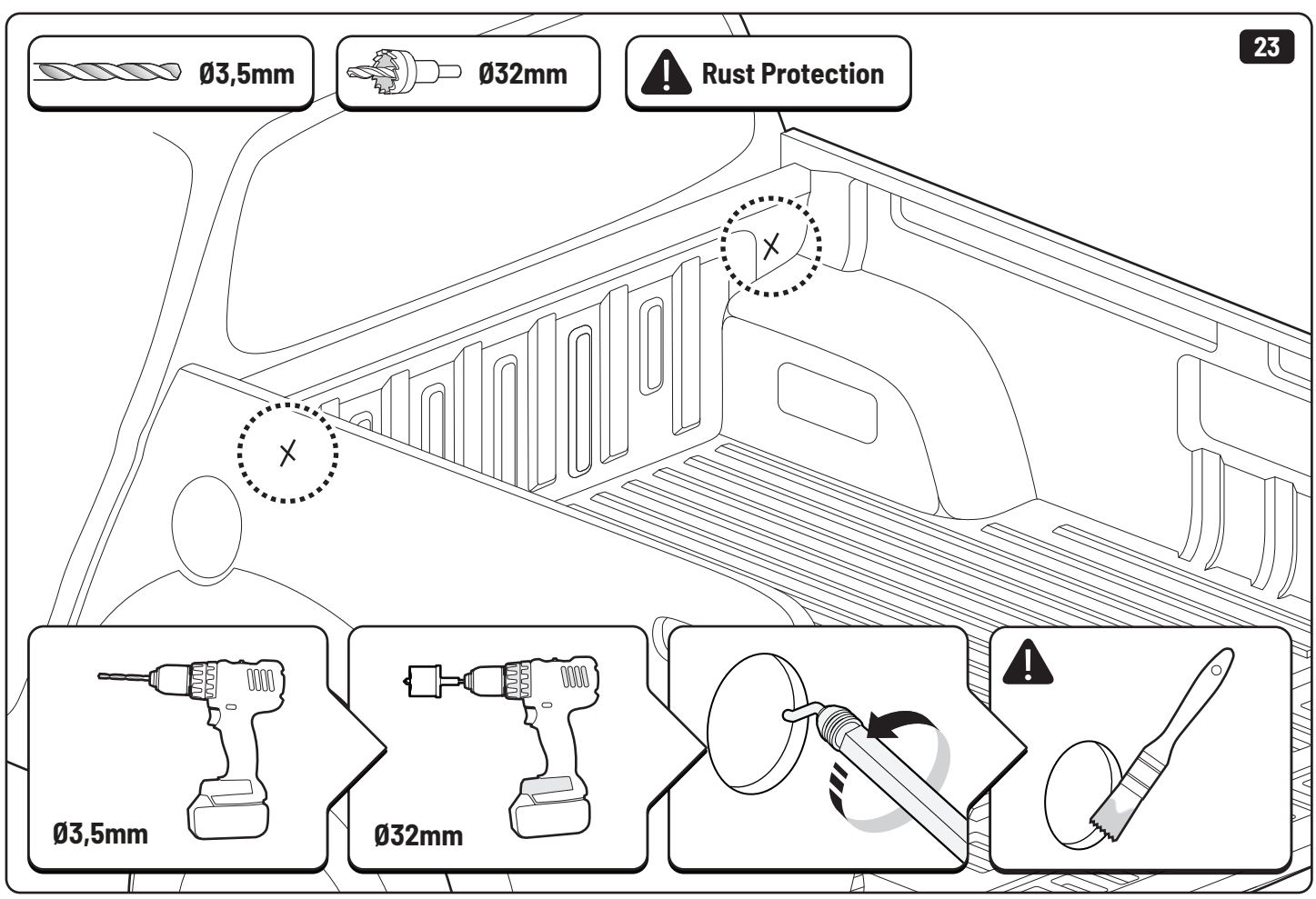
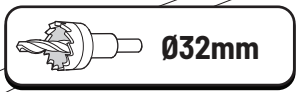
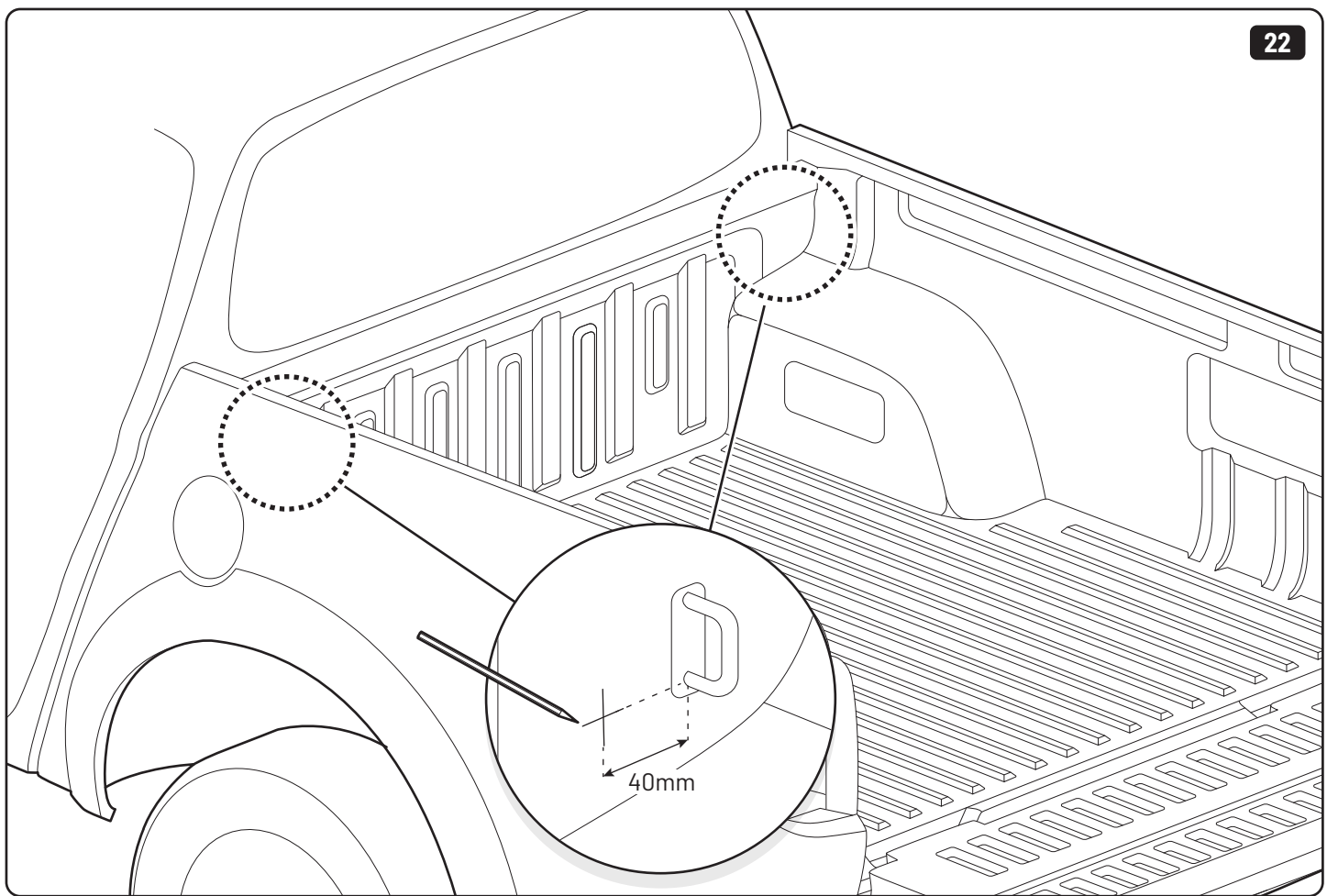
CLICK!

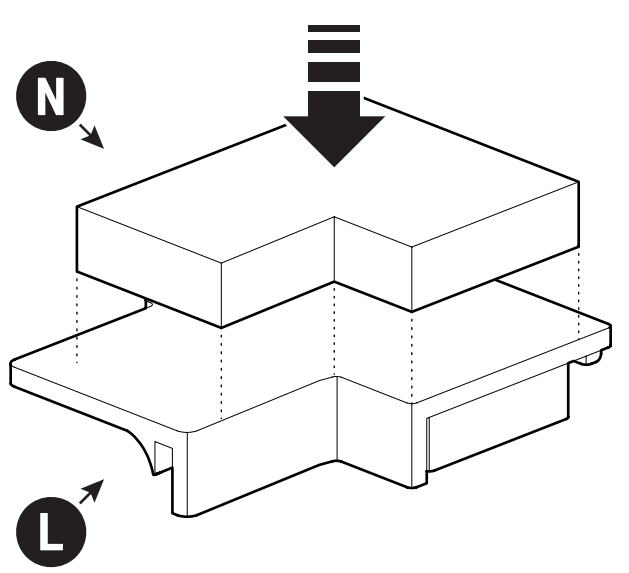
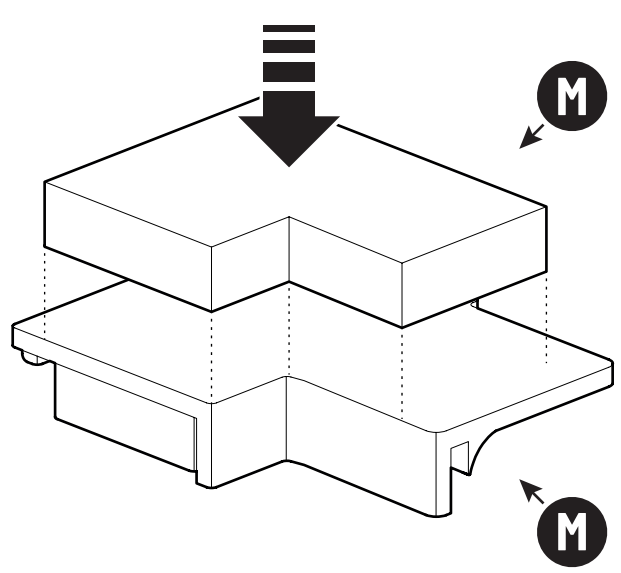
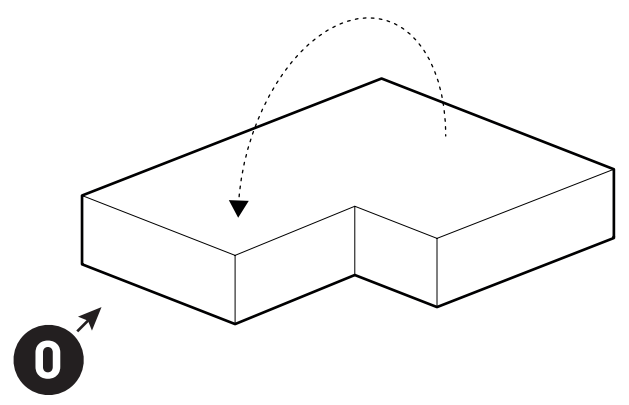
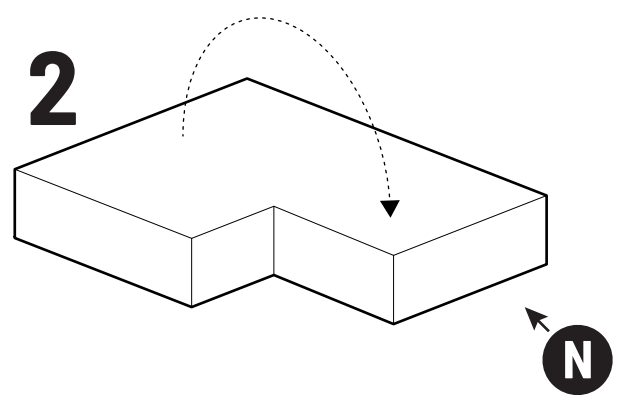
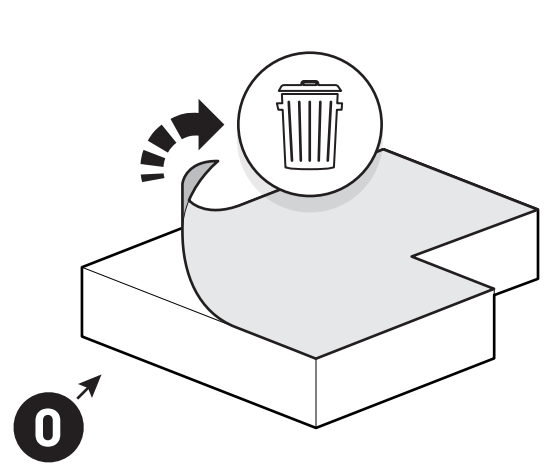
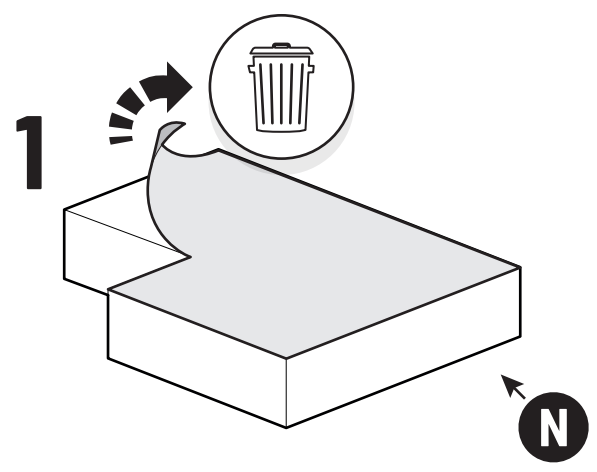


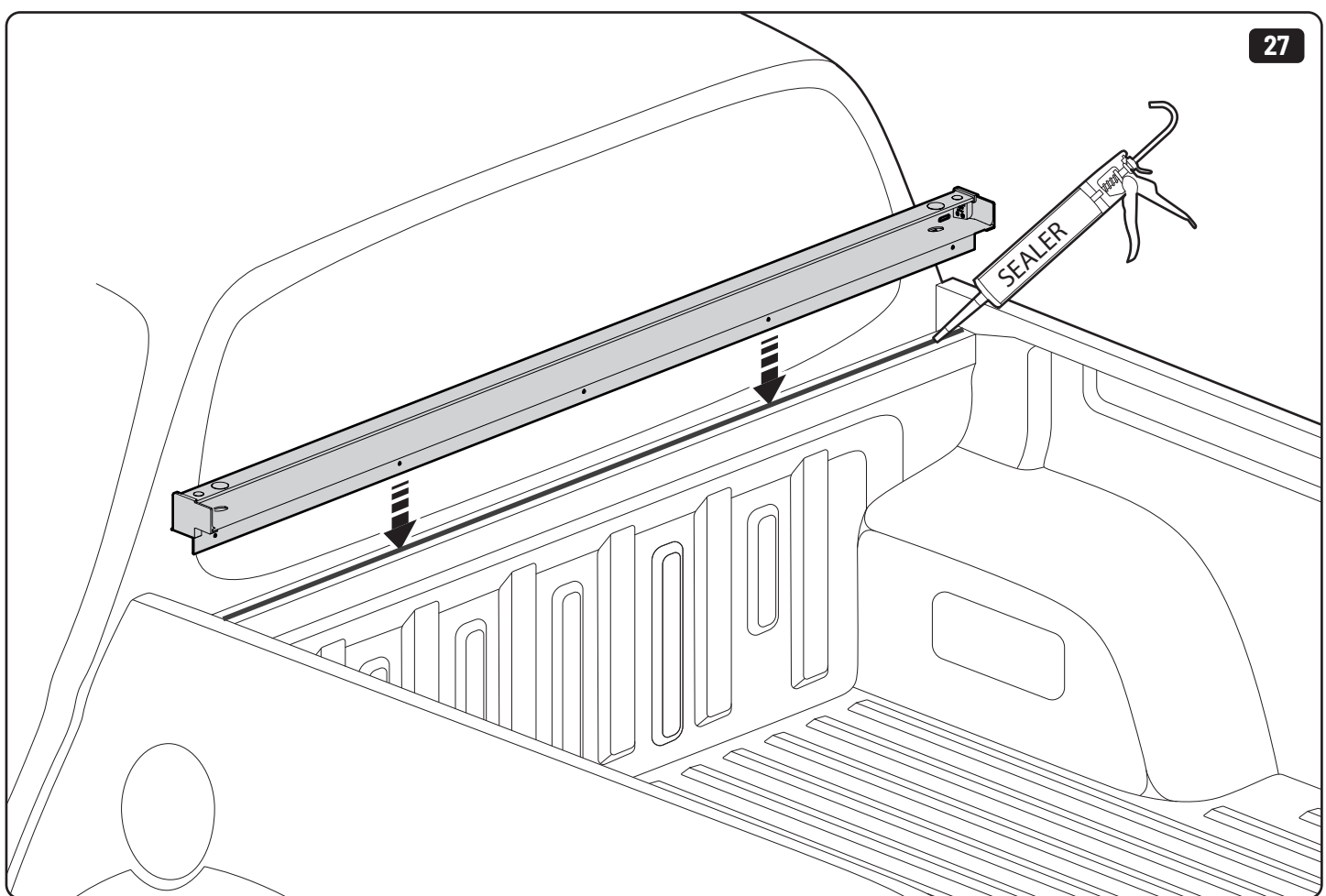
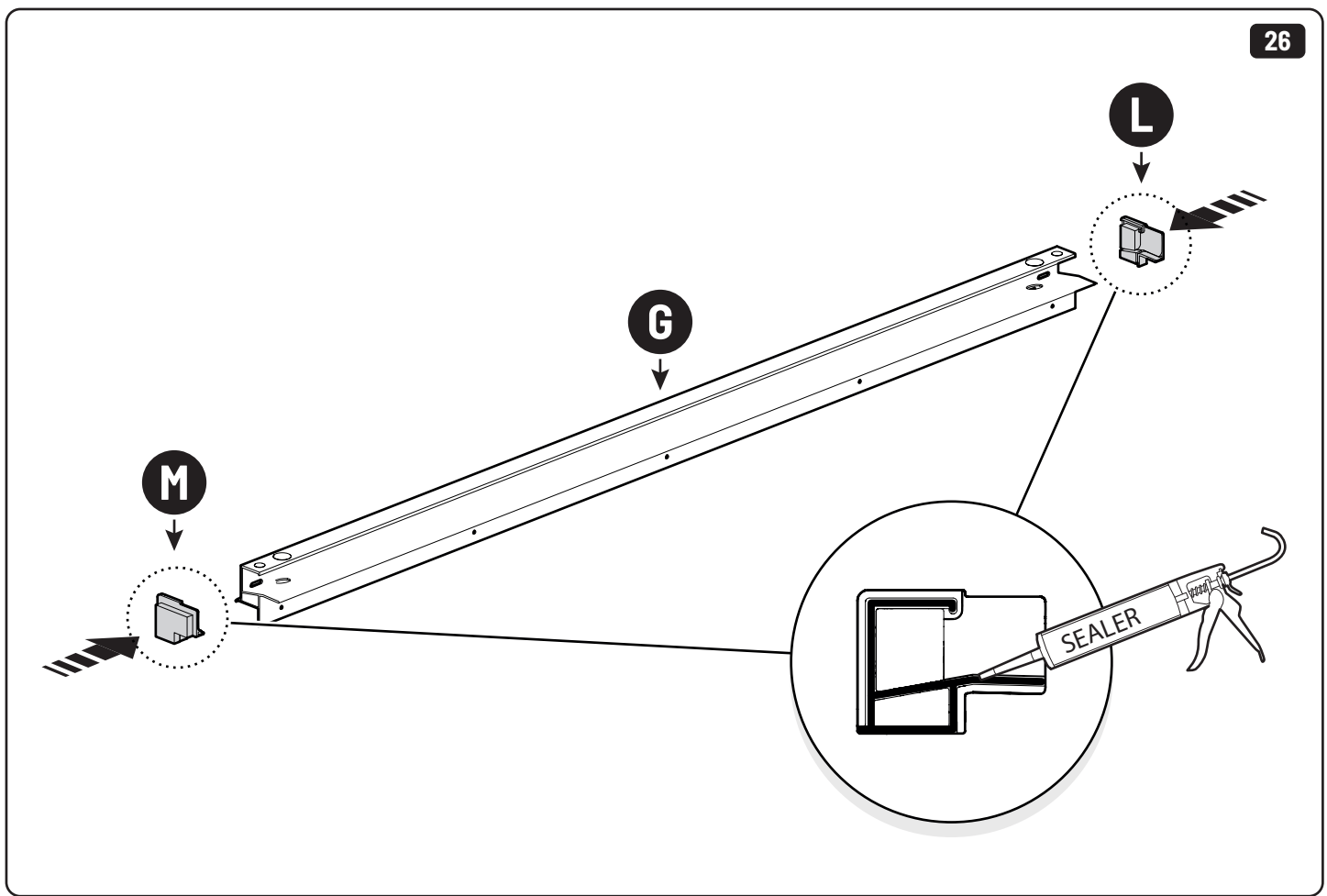


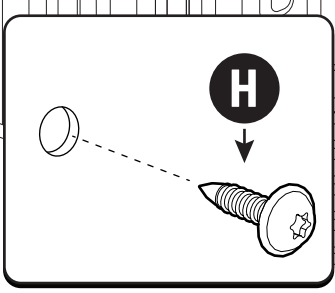
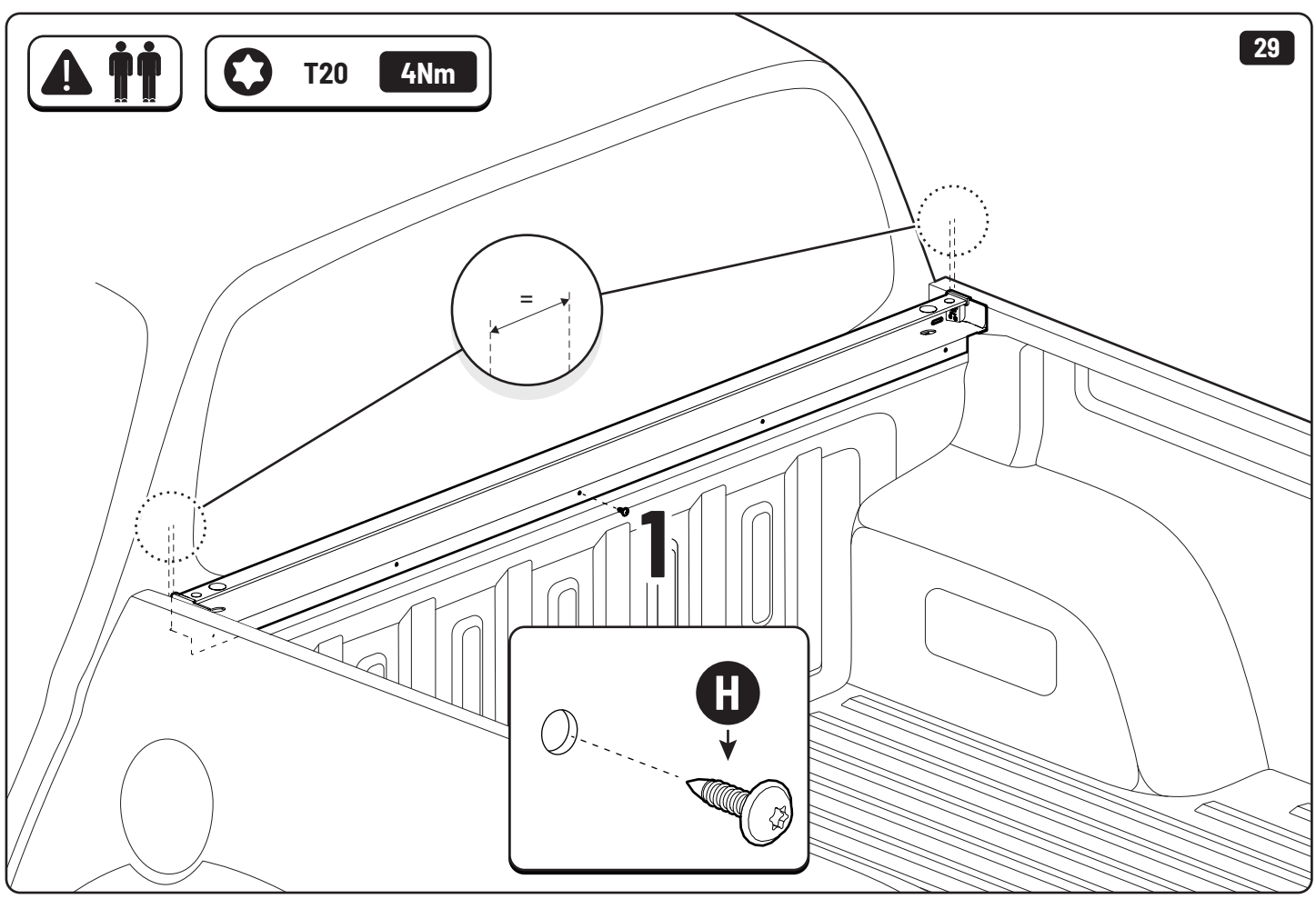
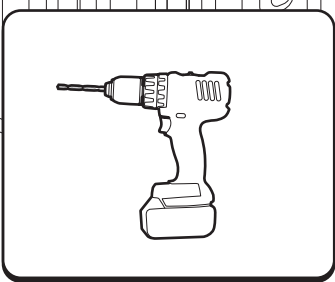
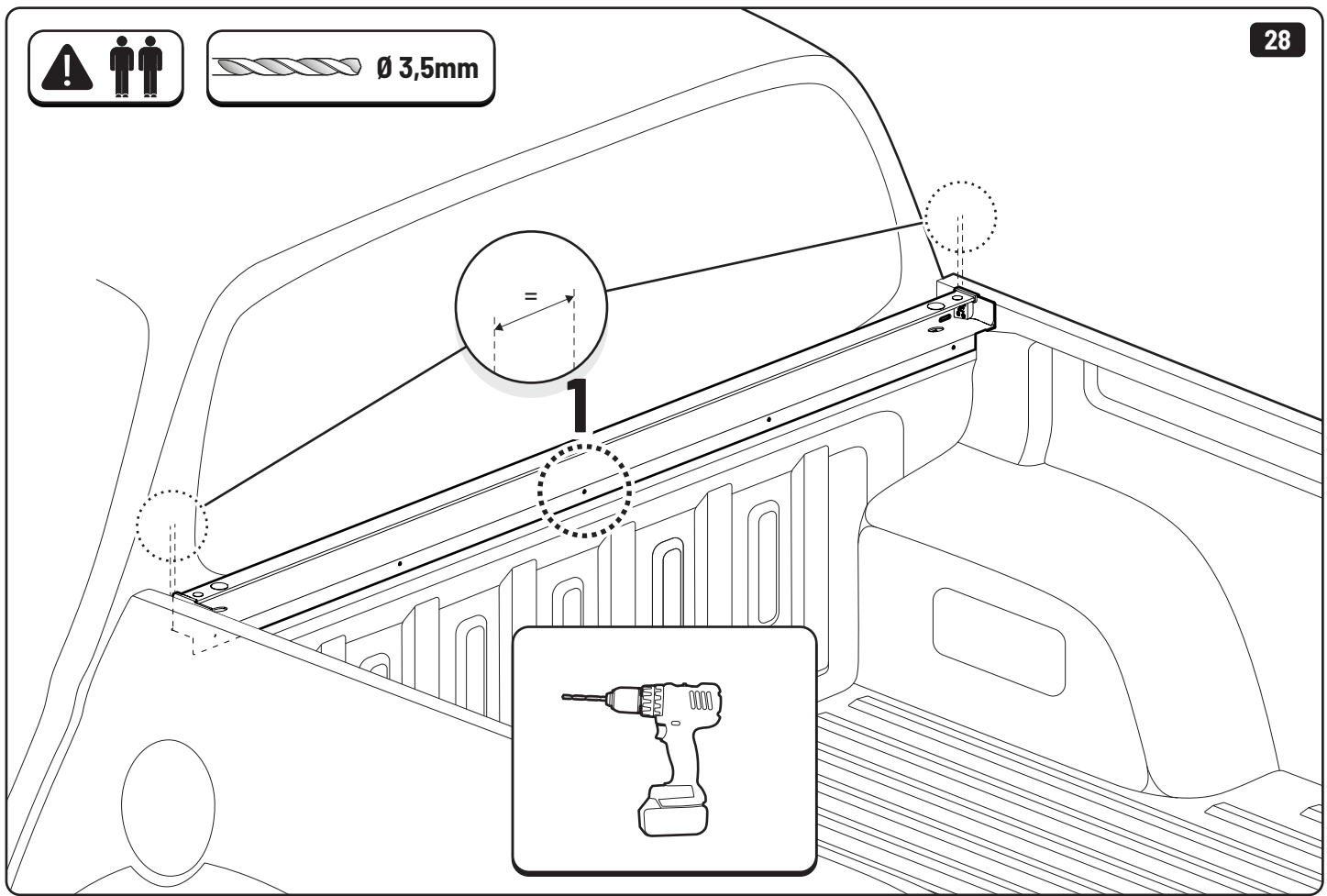




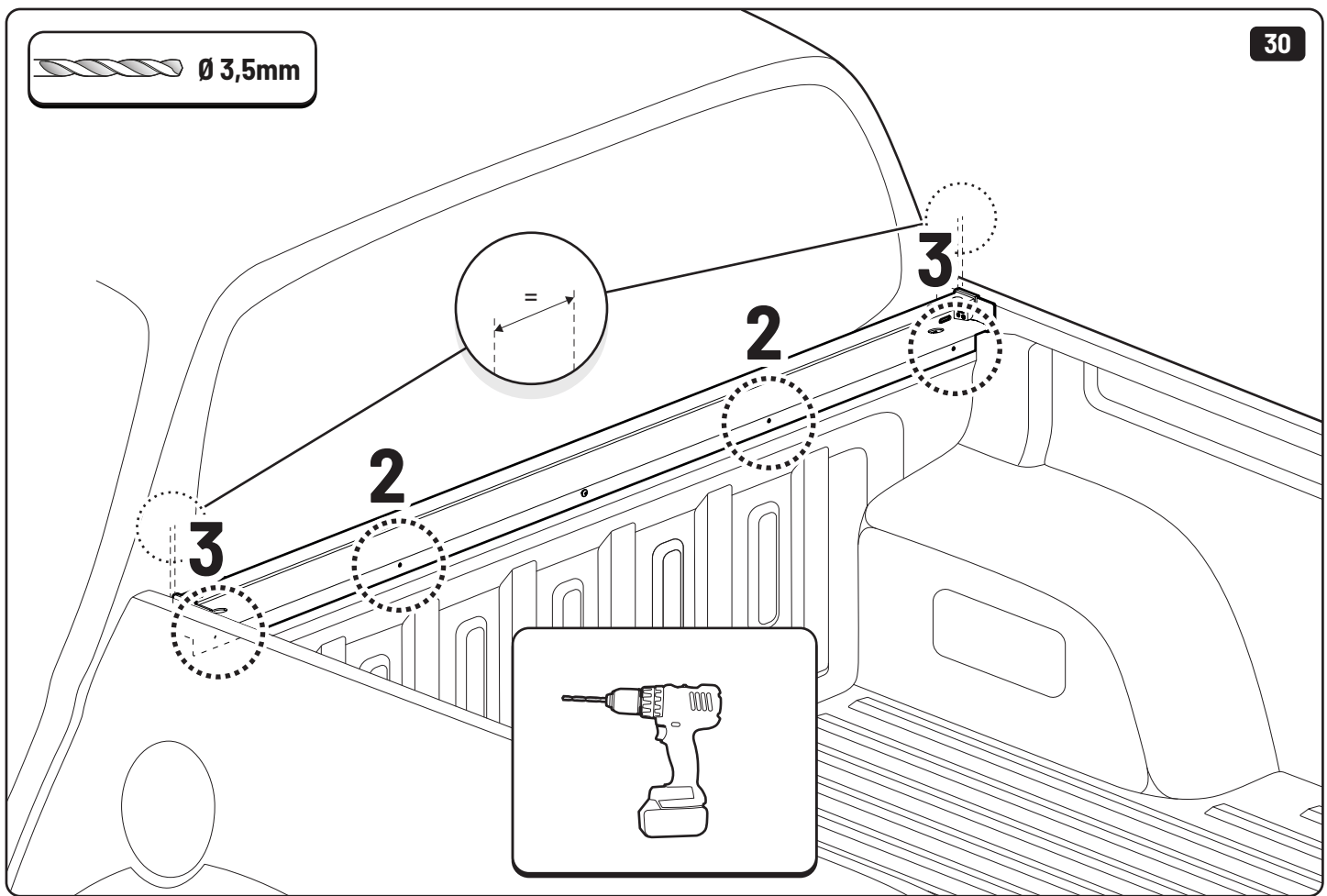




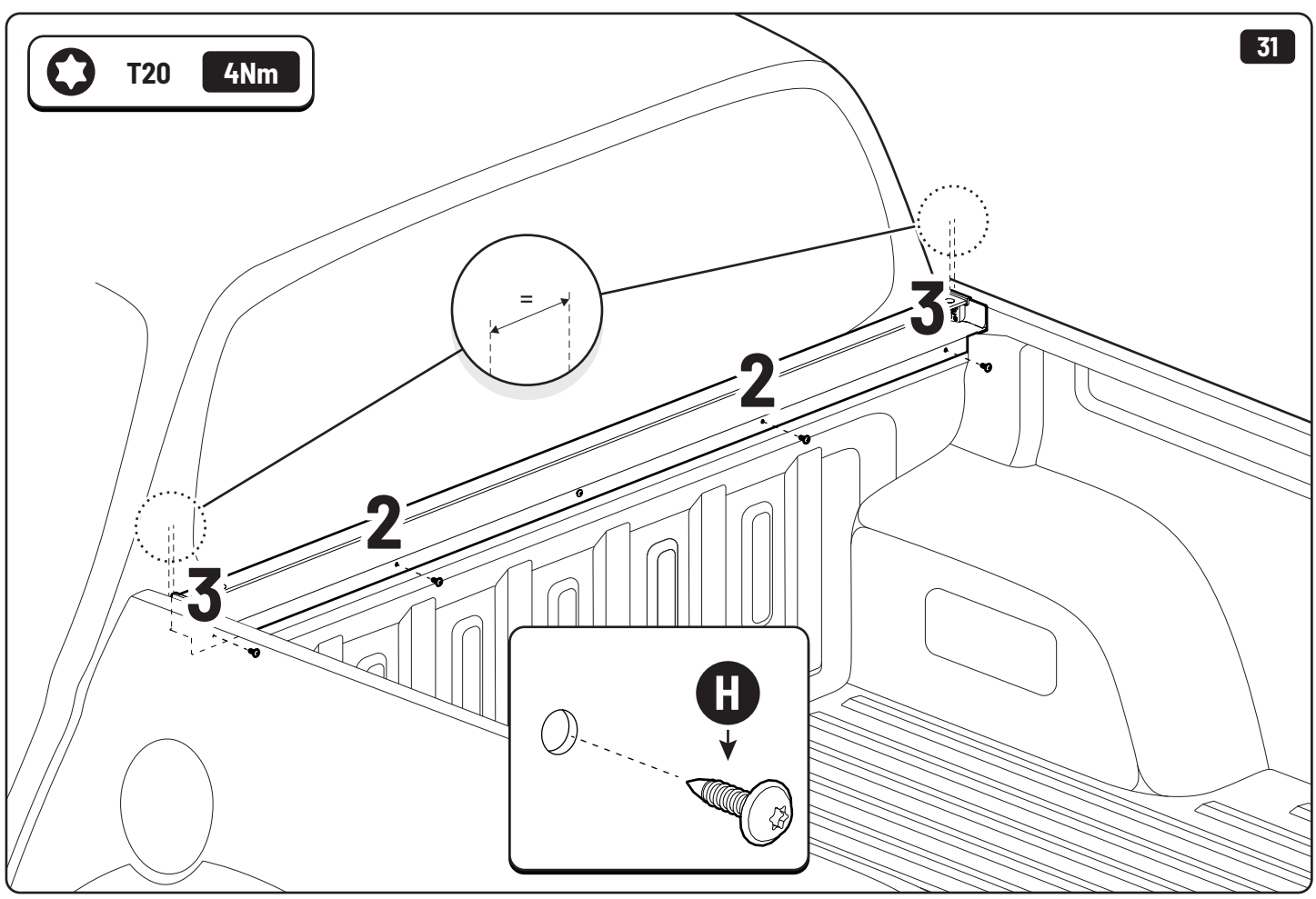


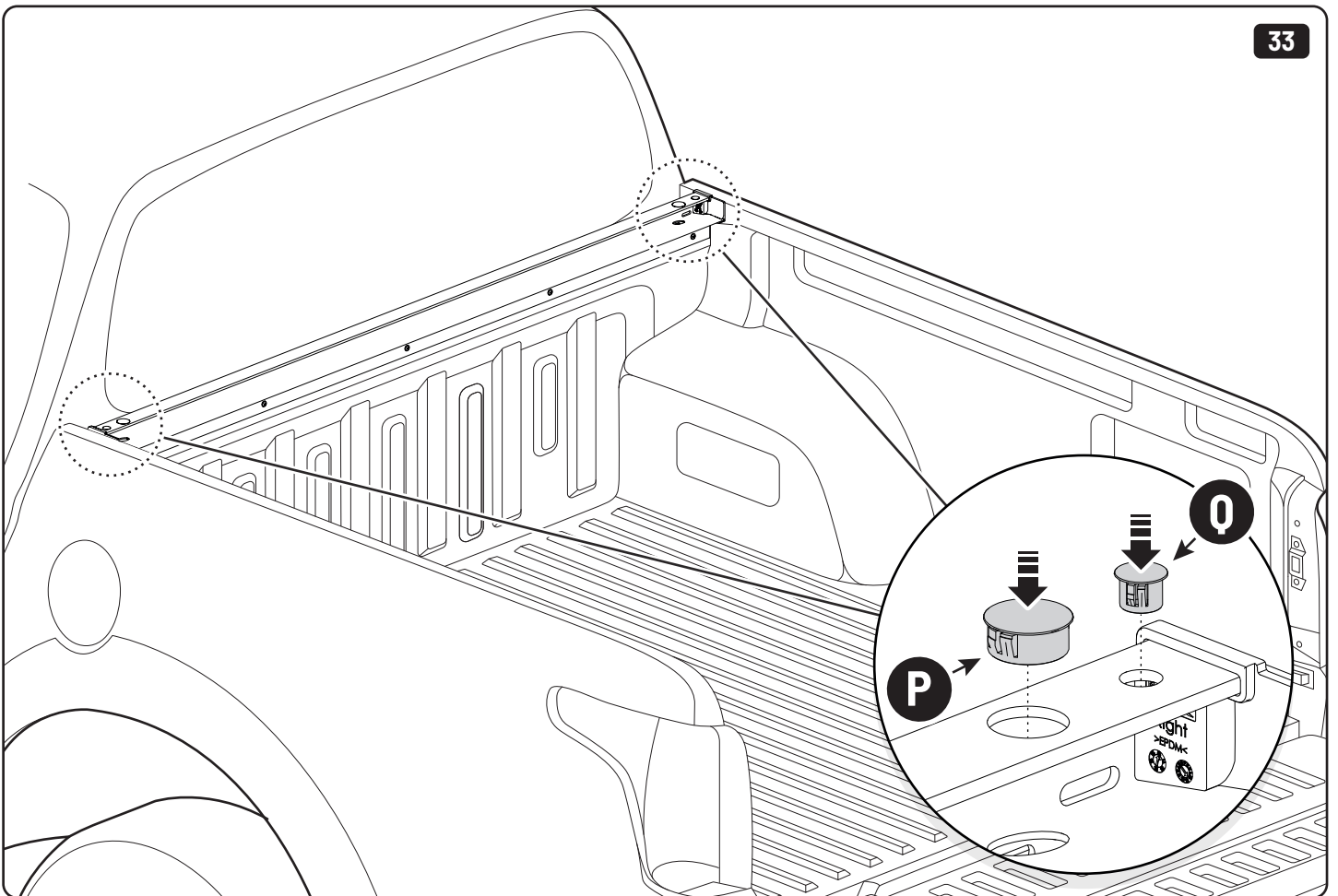
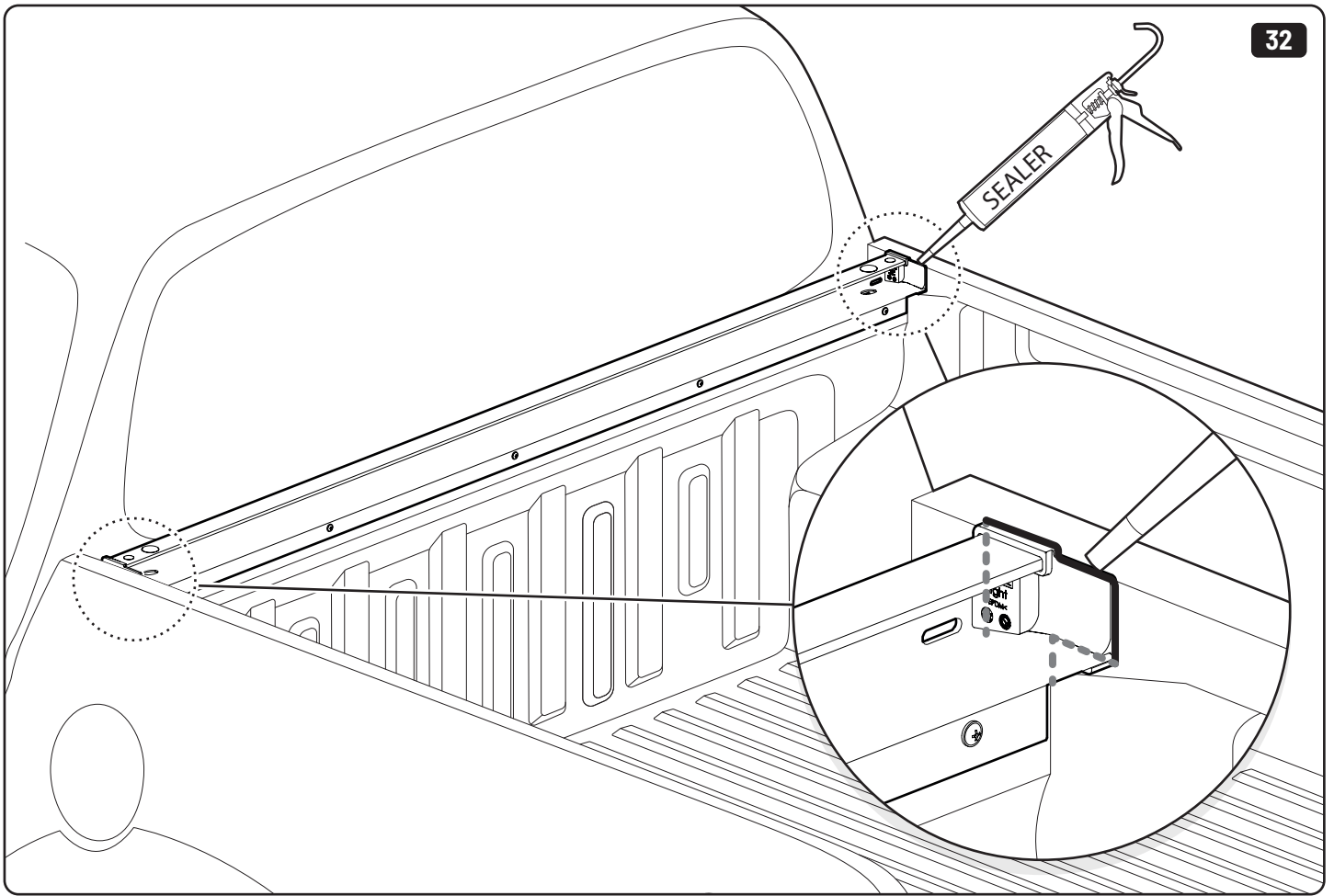


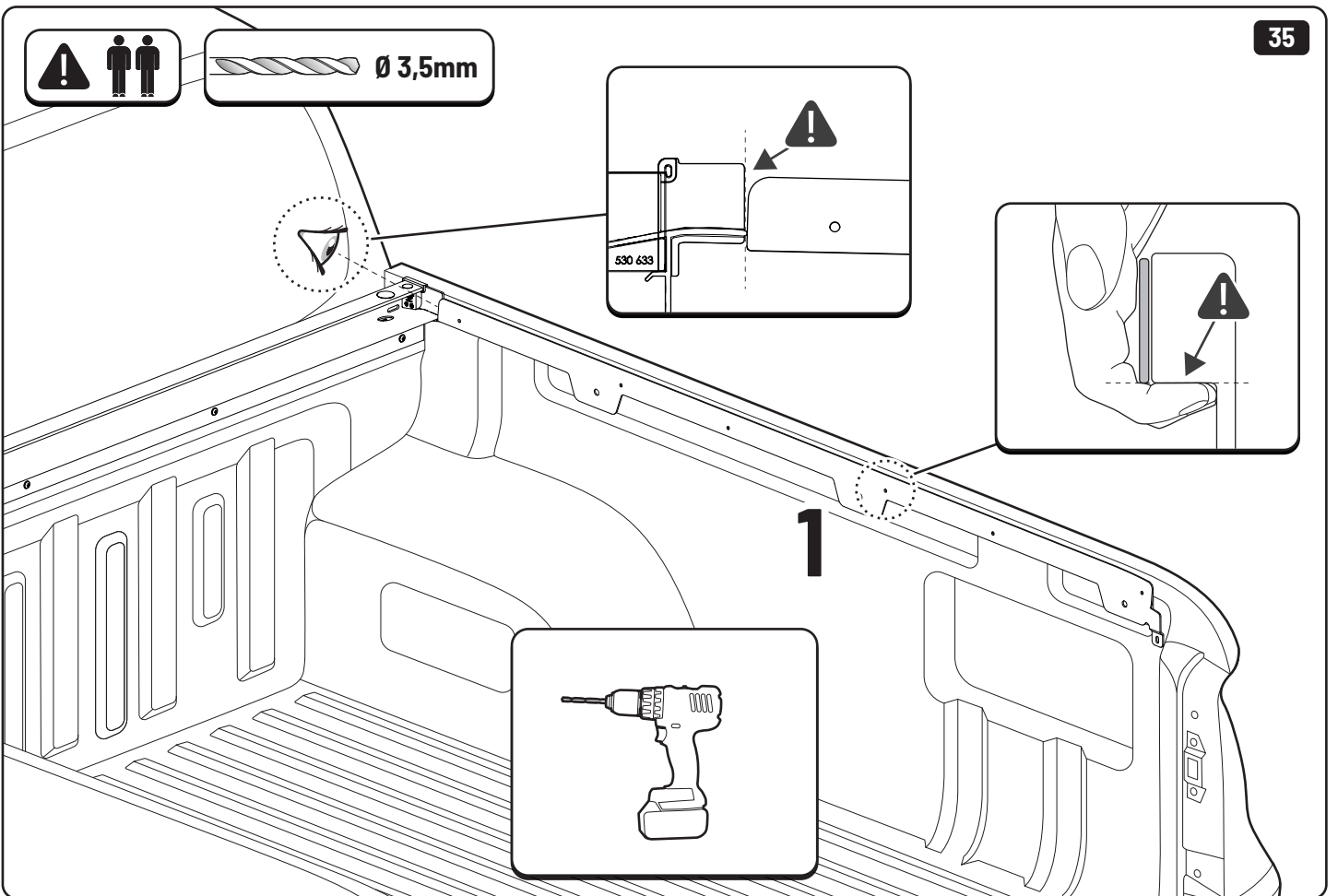
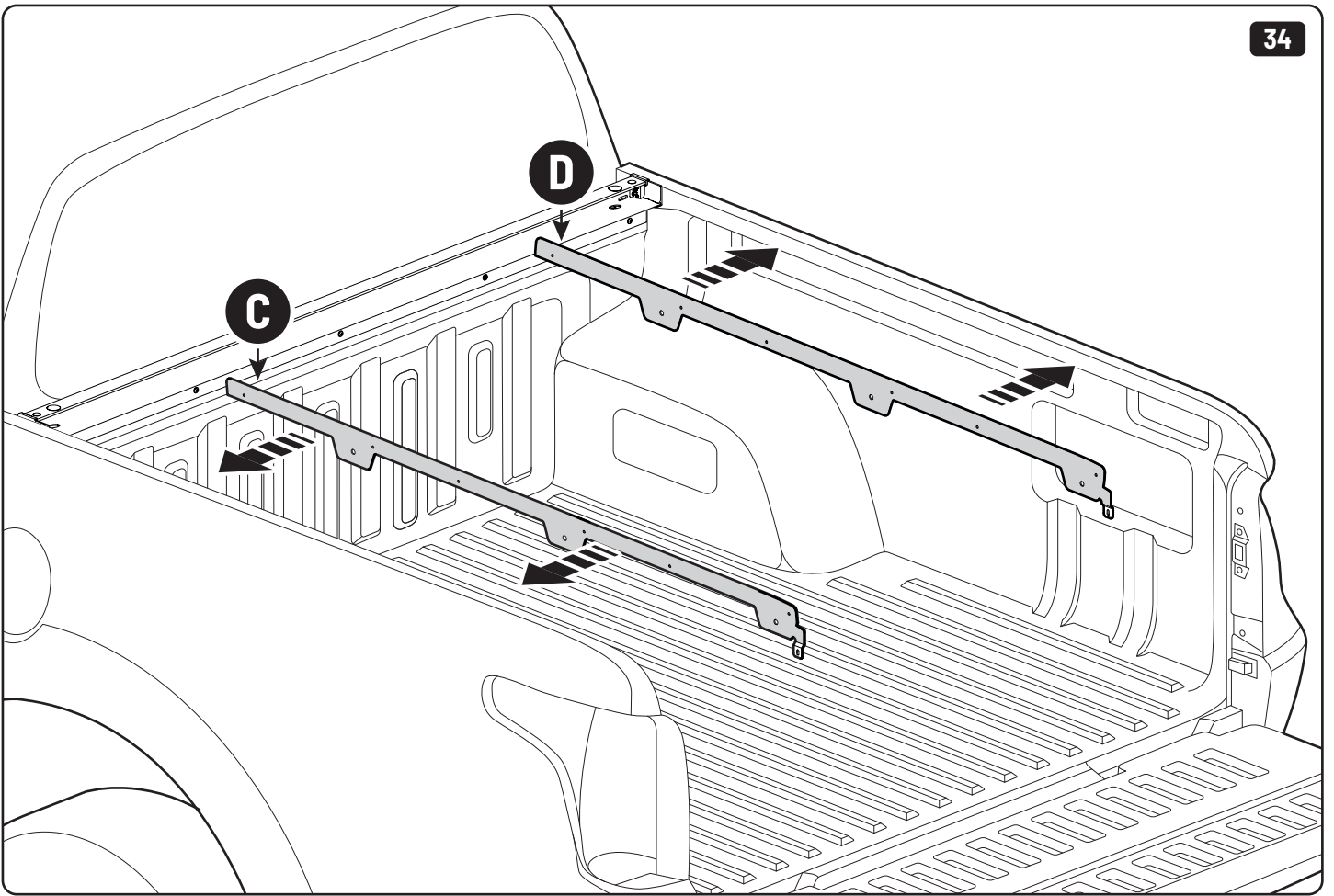
 Ø 3,5mm

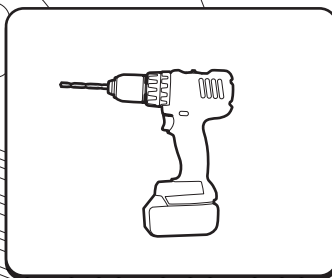
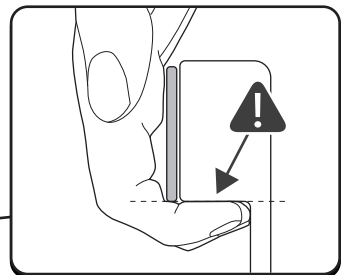
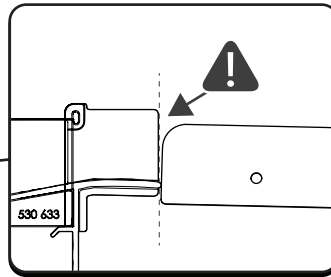
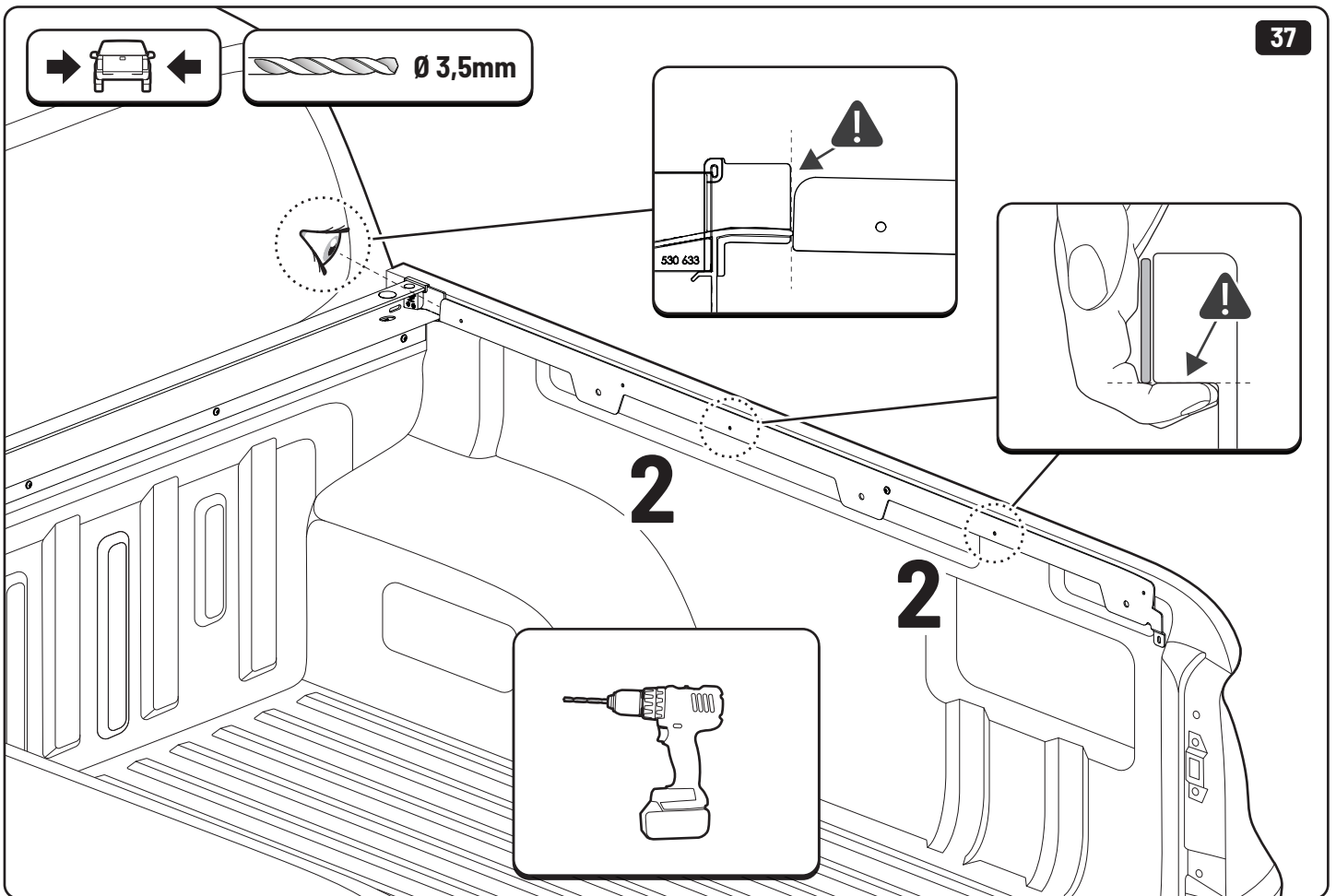
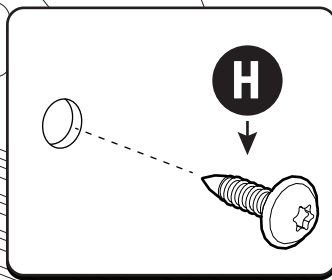
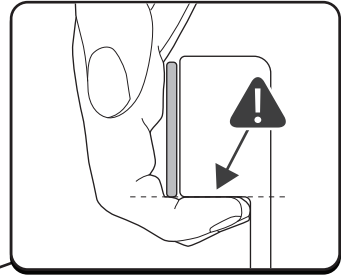
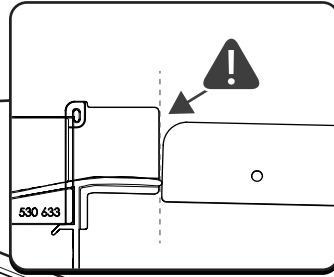
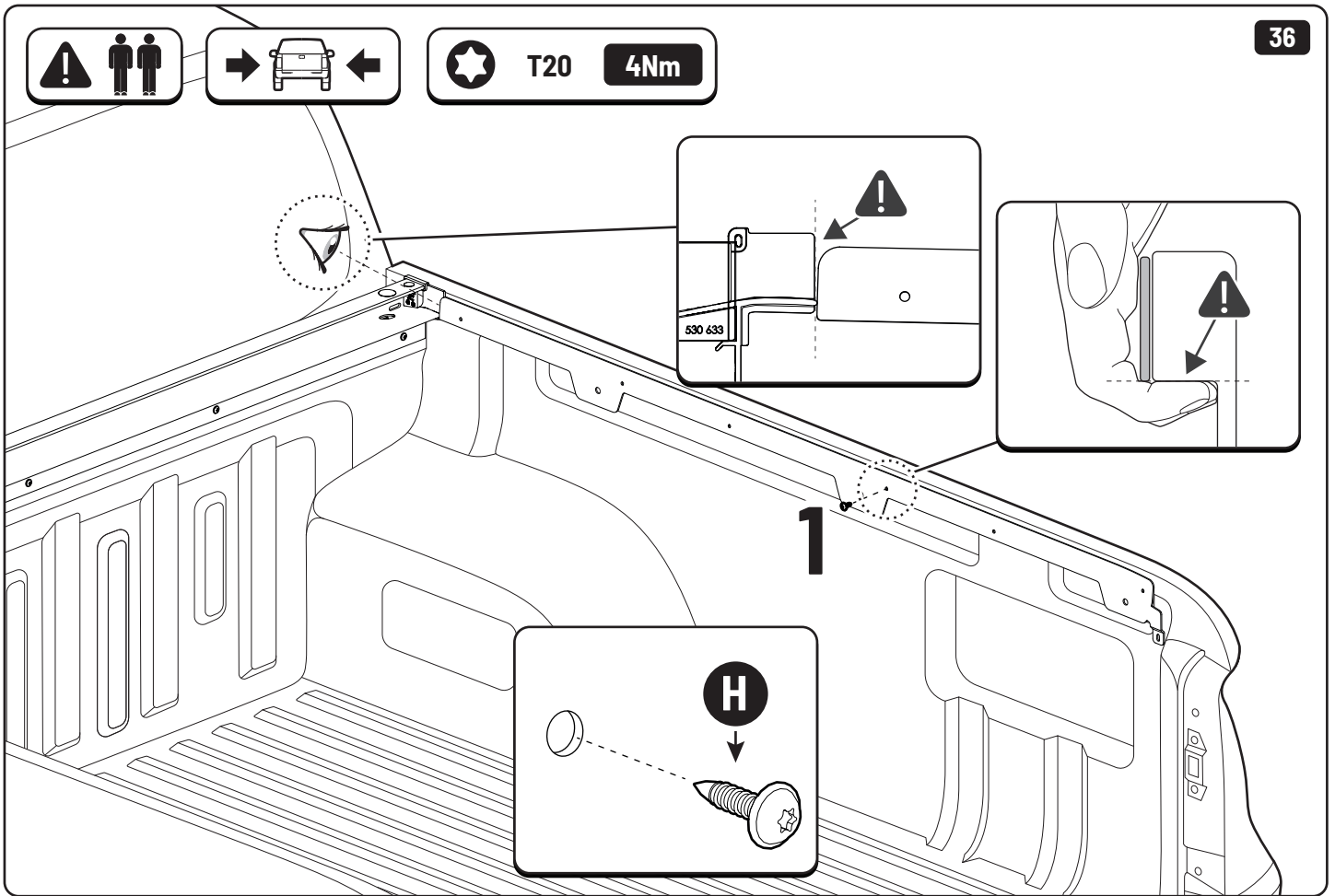
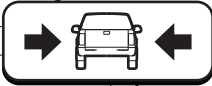


 T20 **4Nm**



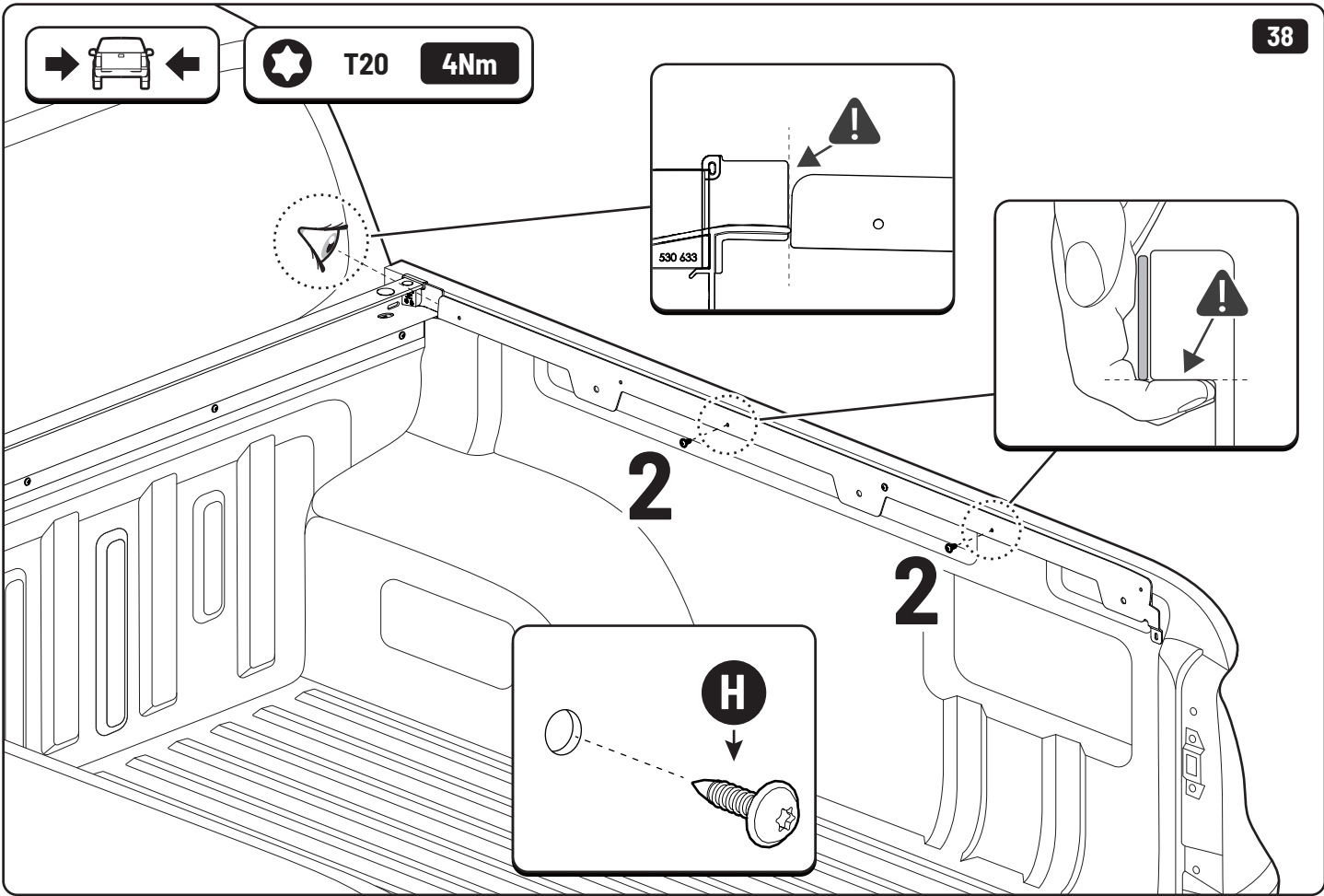
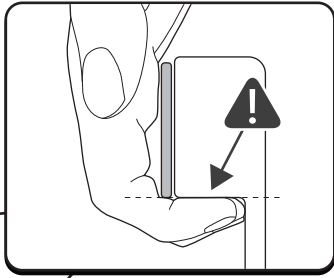
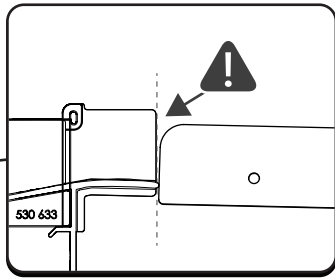




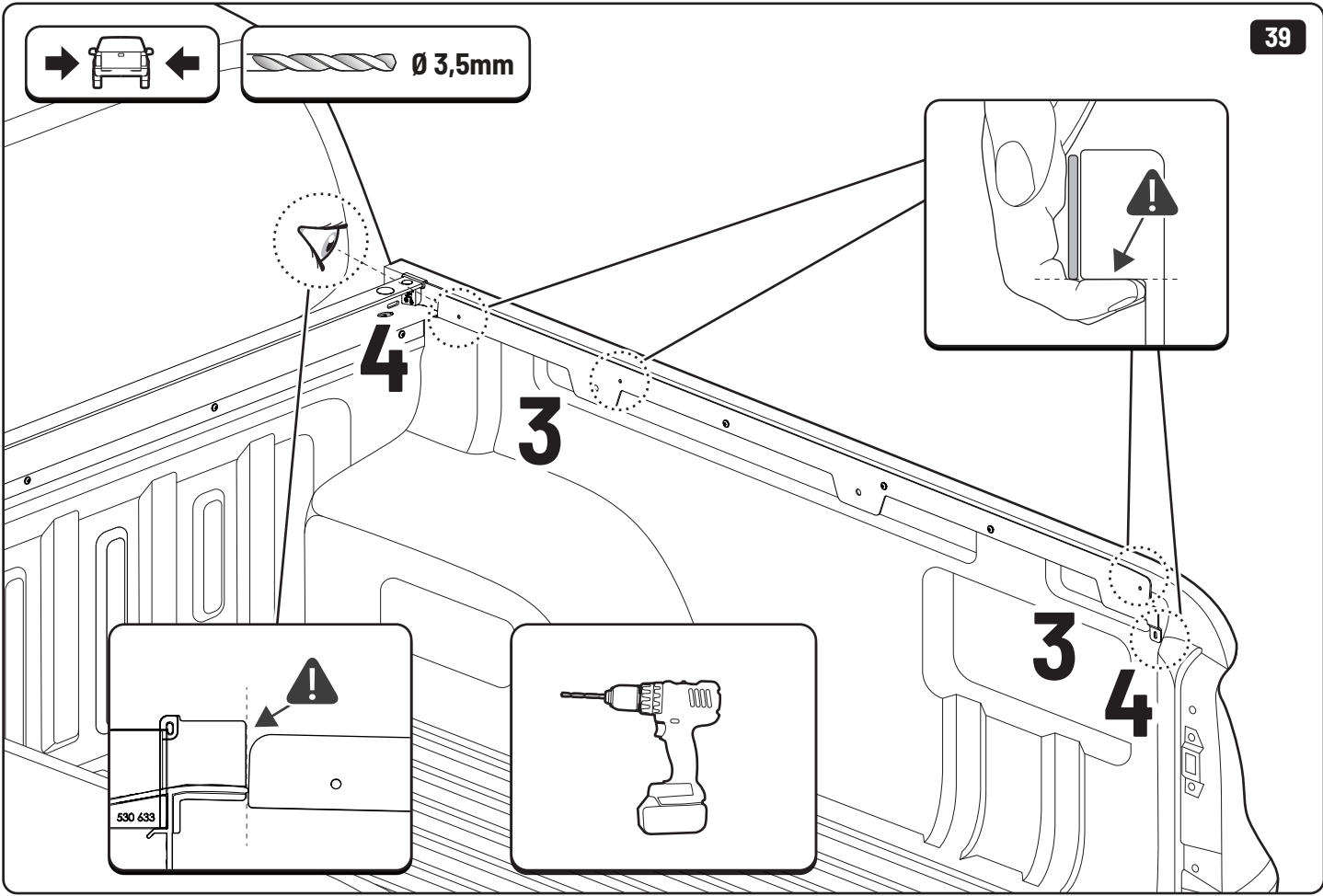
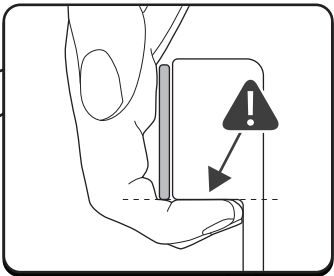


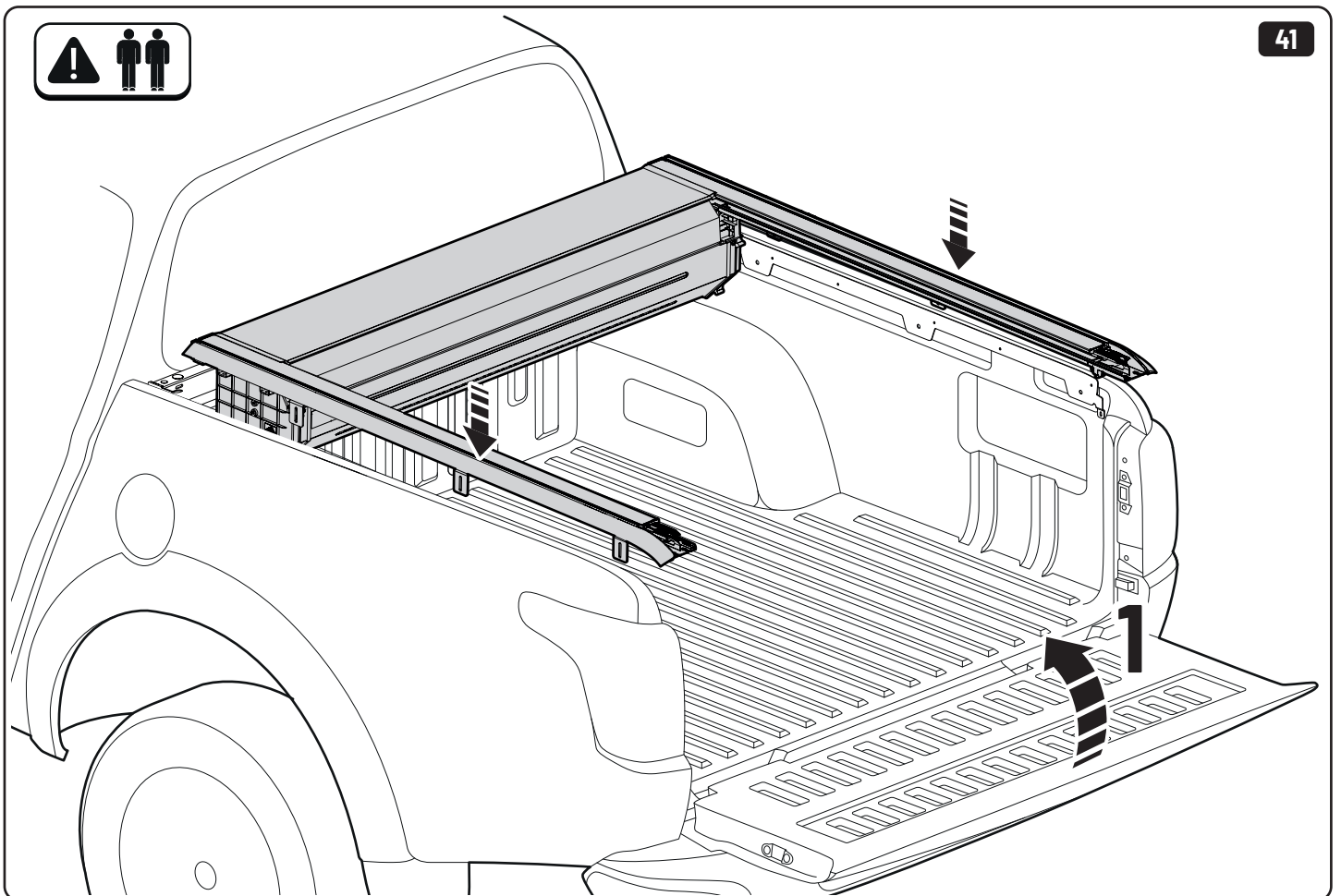
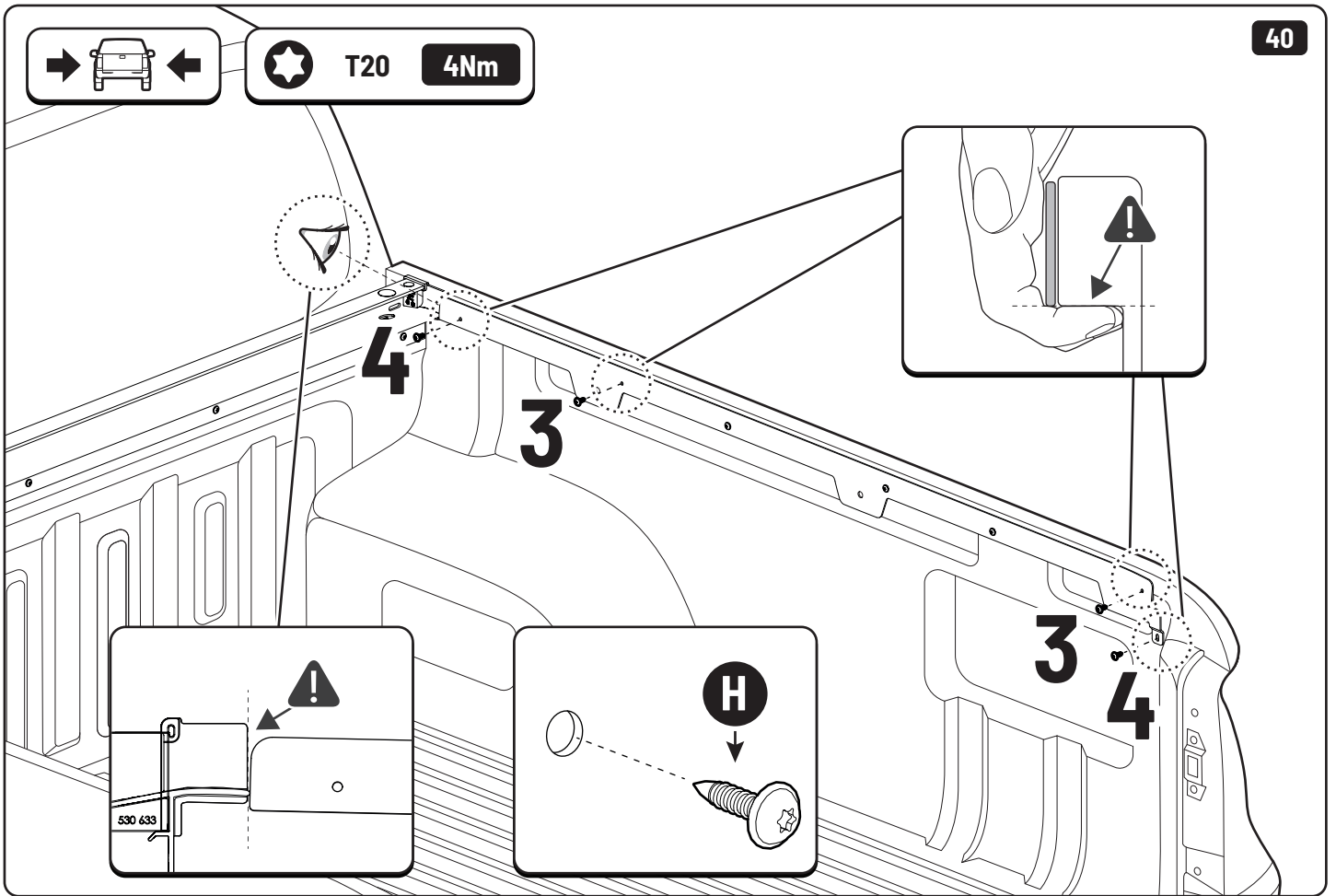


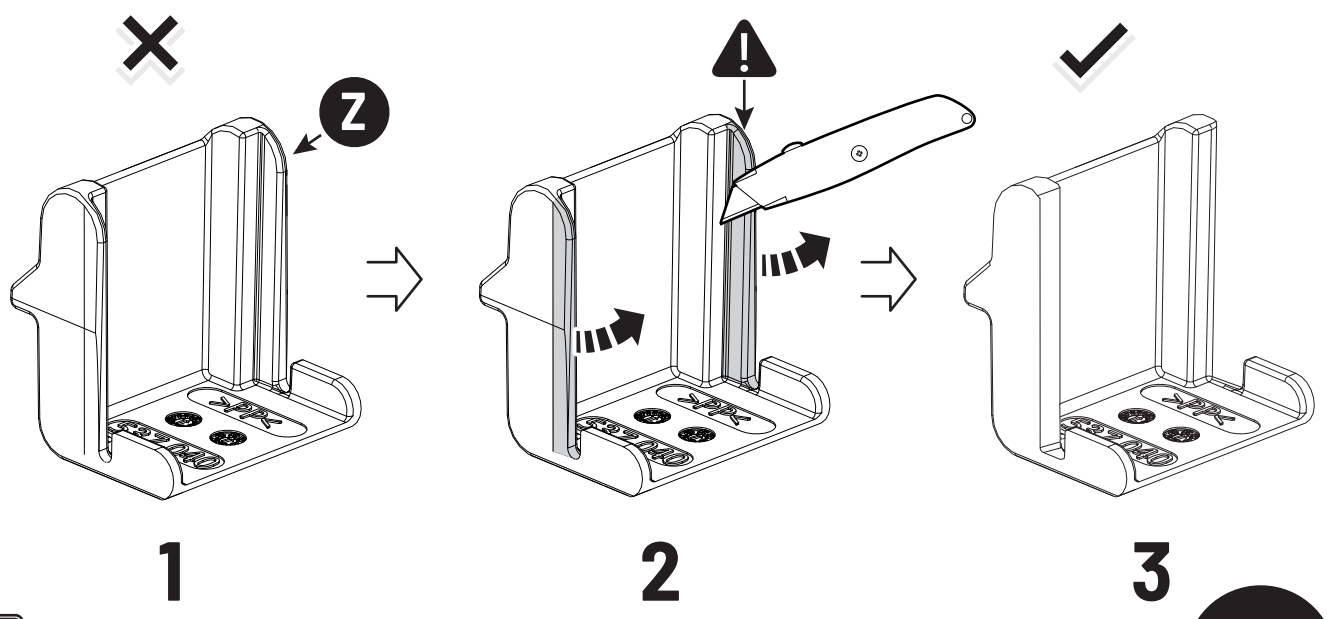
T20 4Nm



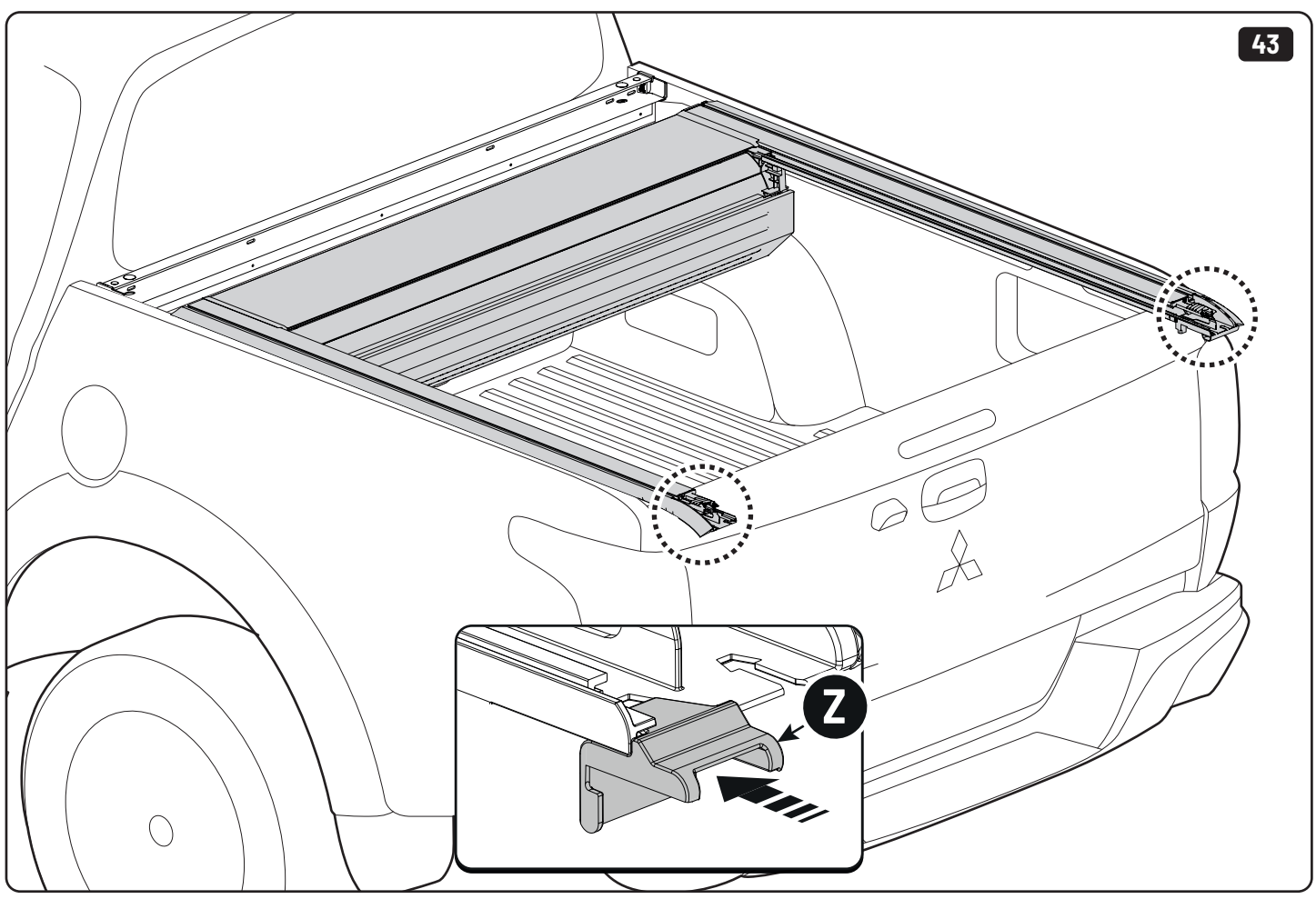
Ø 3,5mm

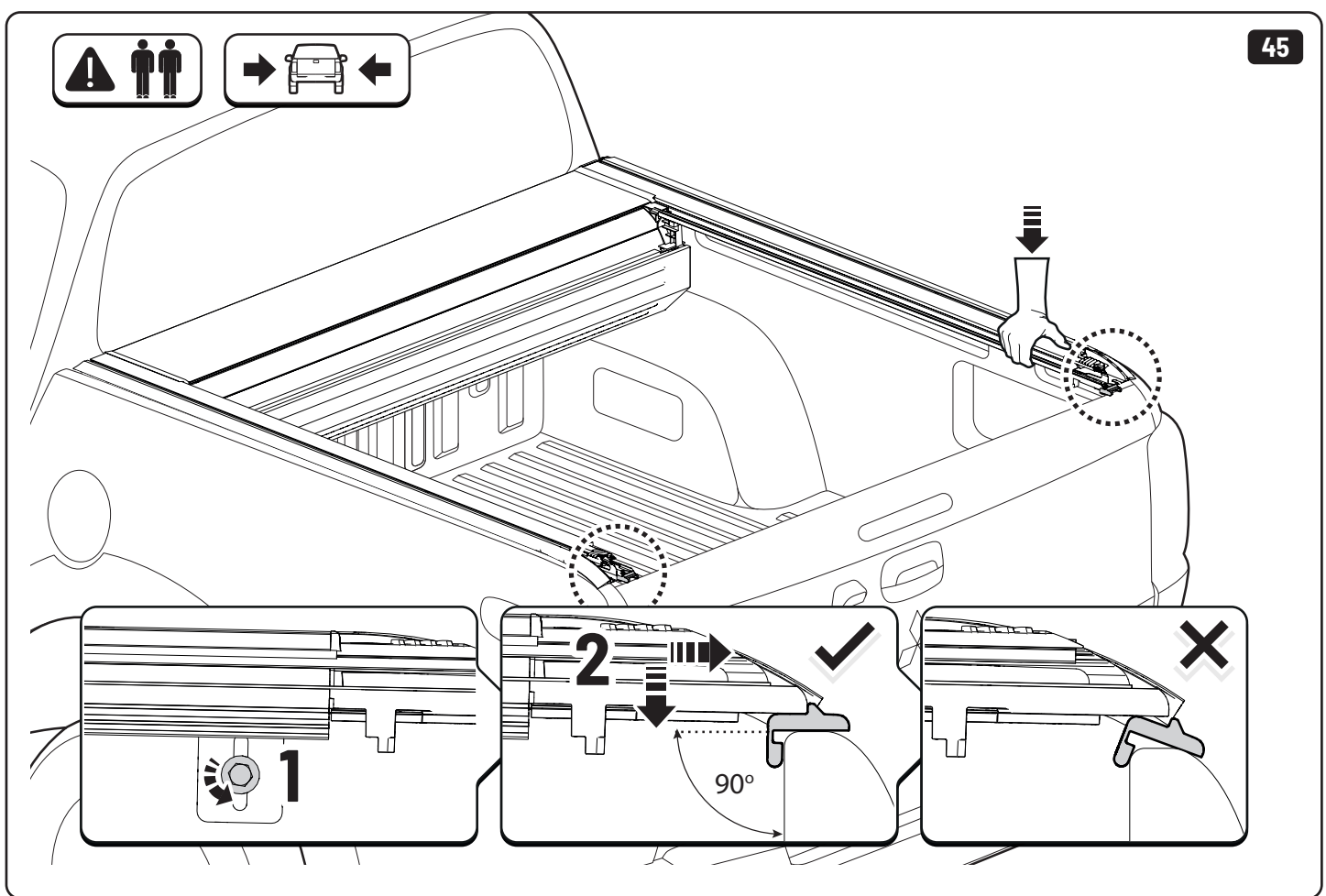
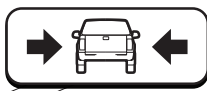
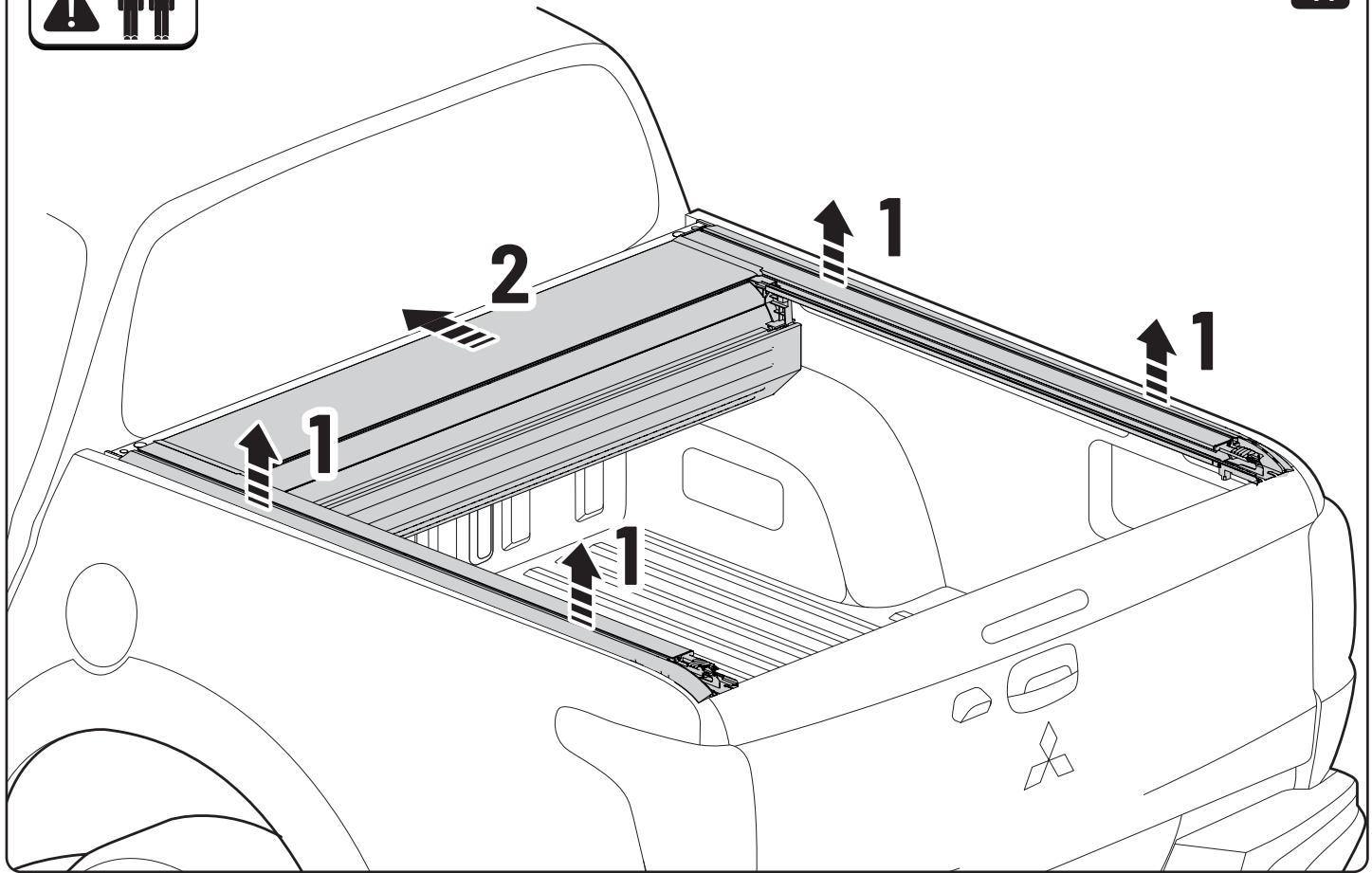


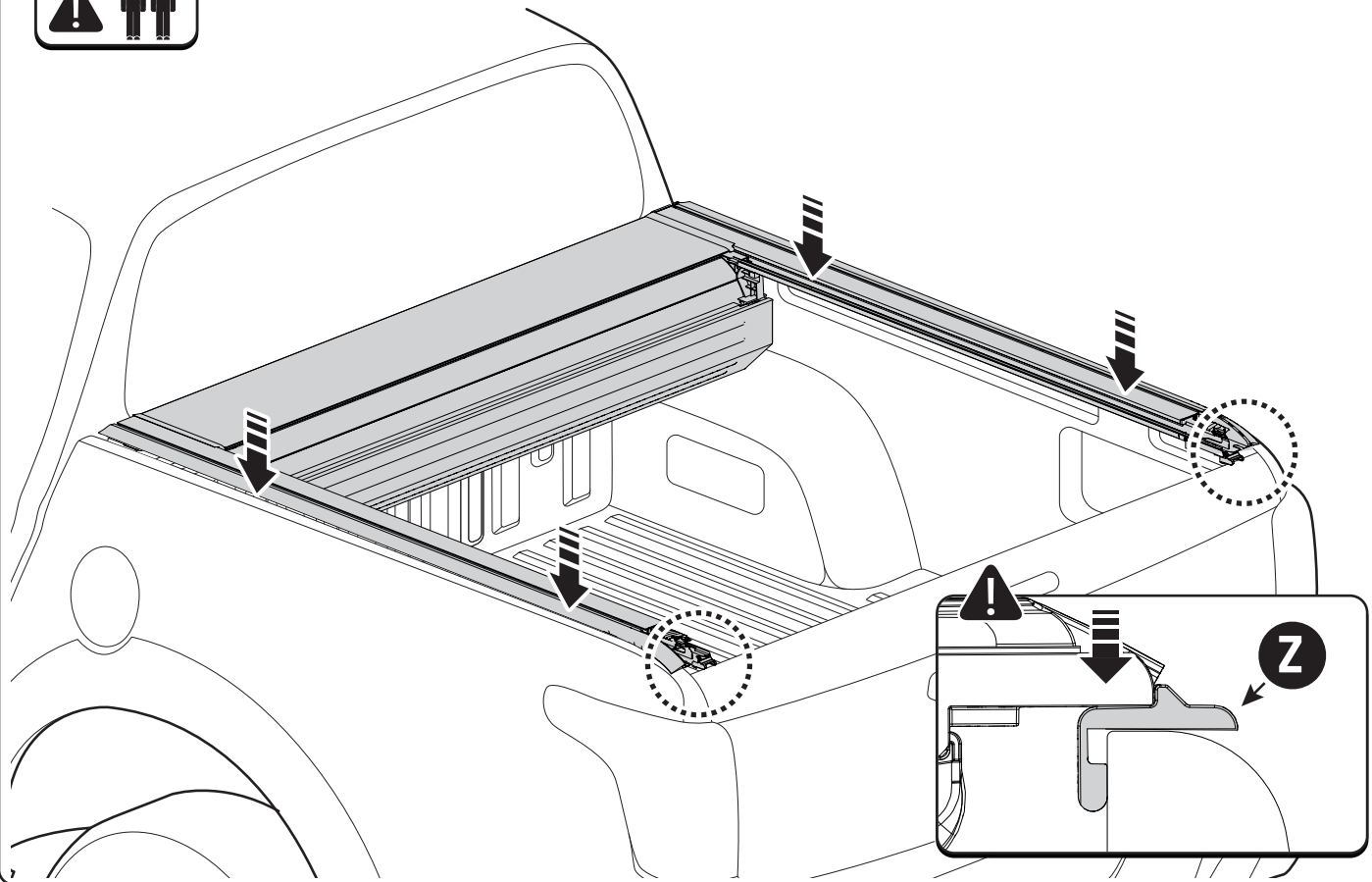
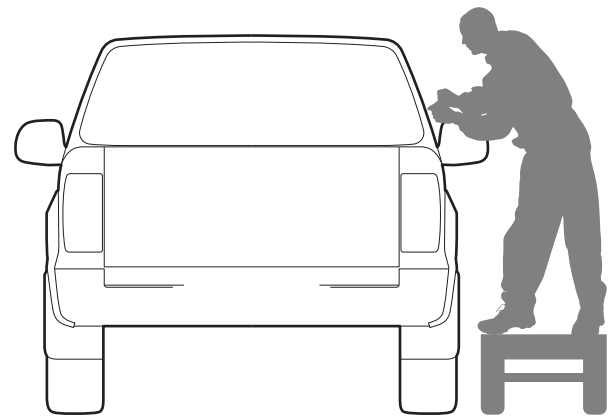
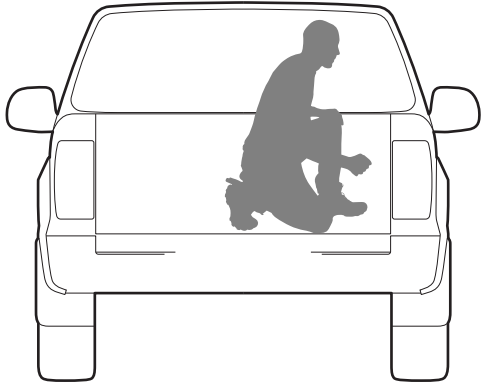


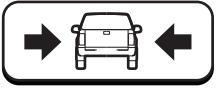


x2

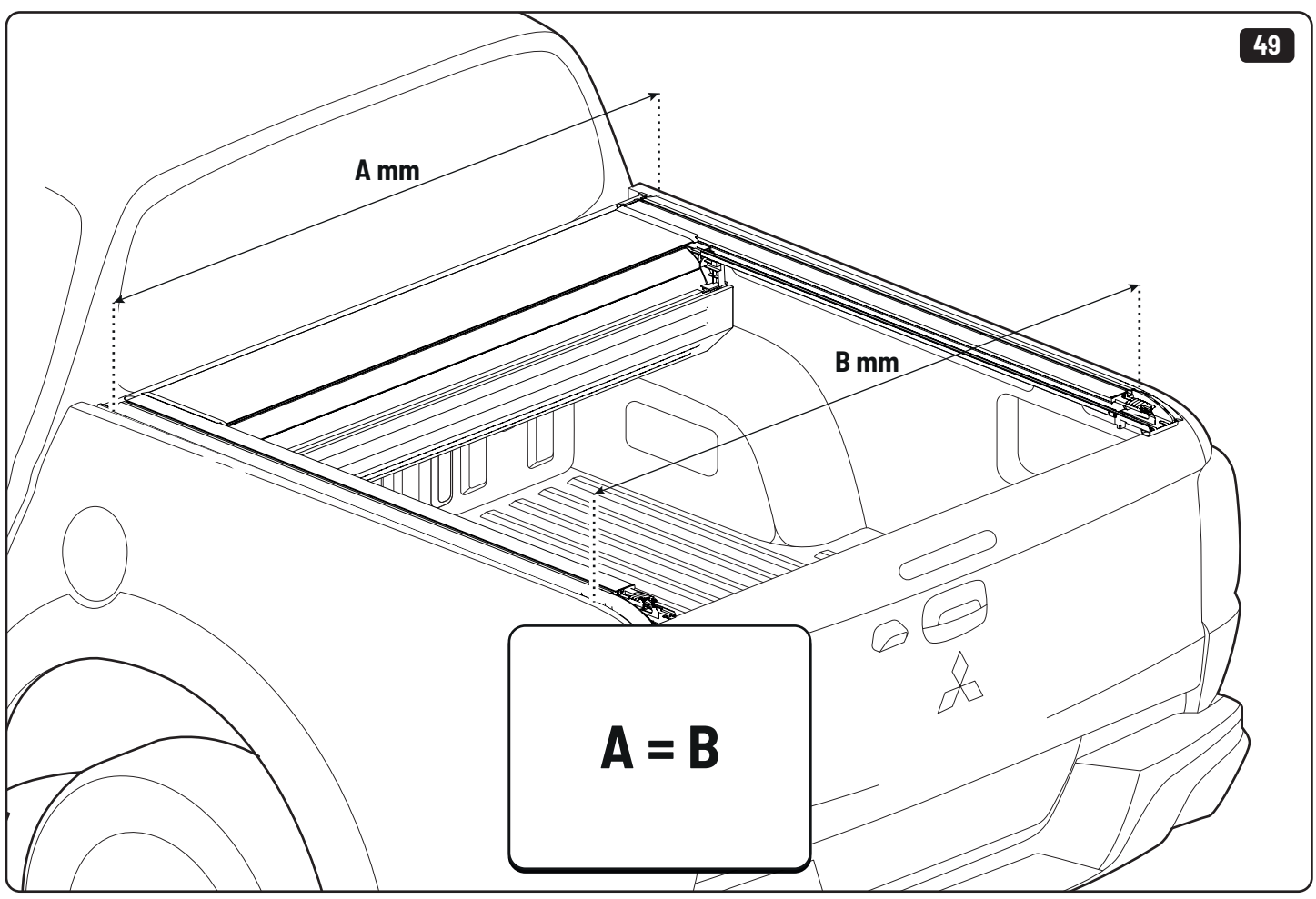
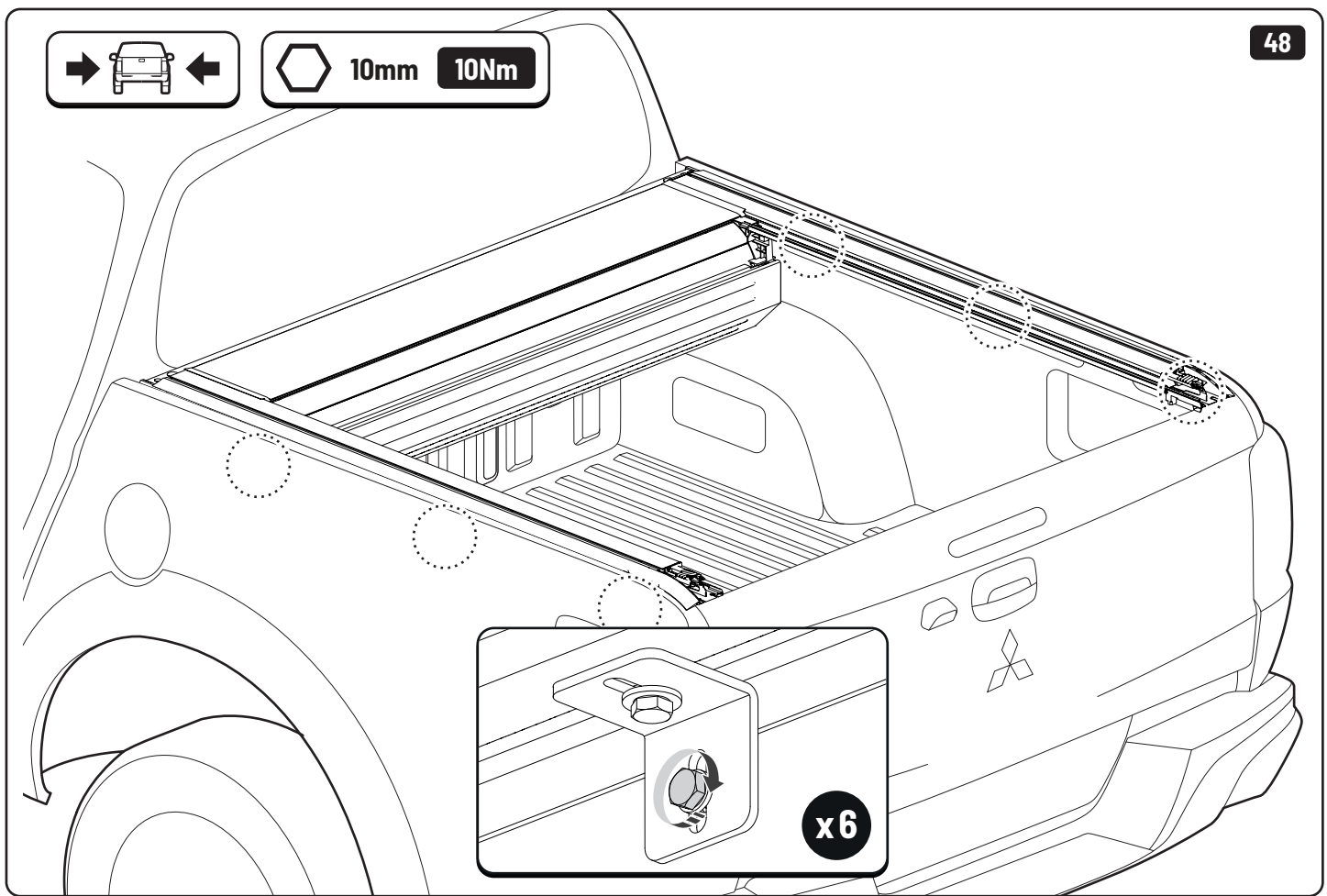


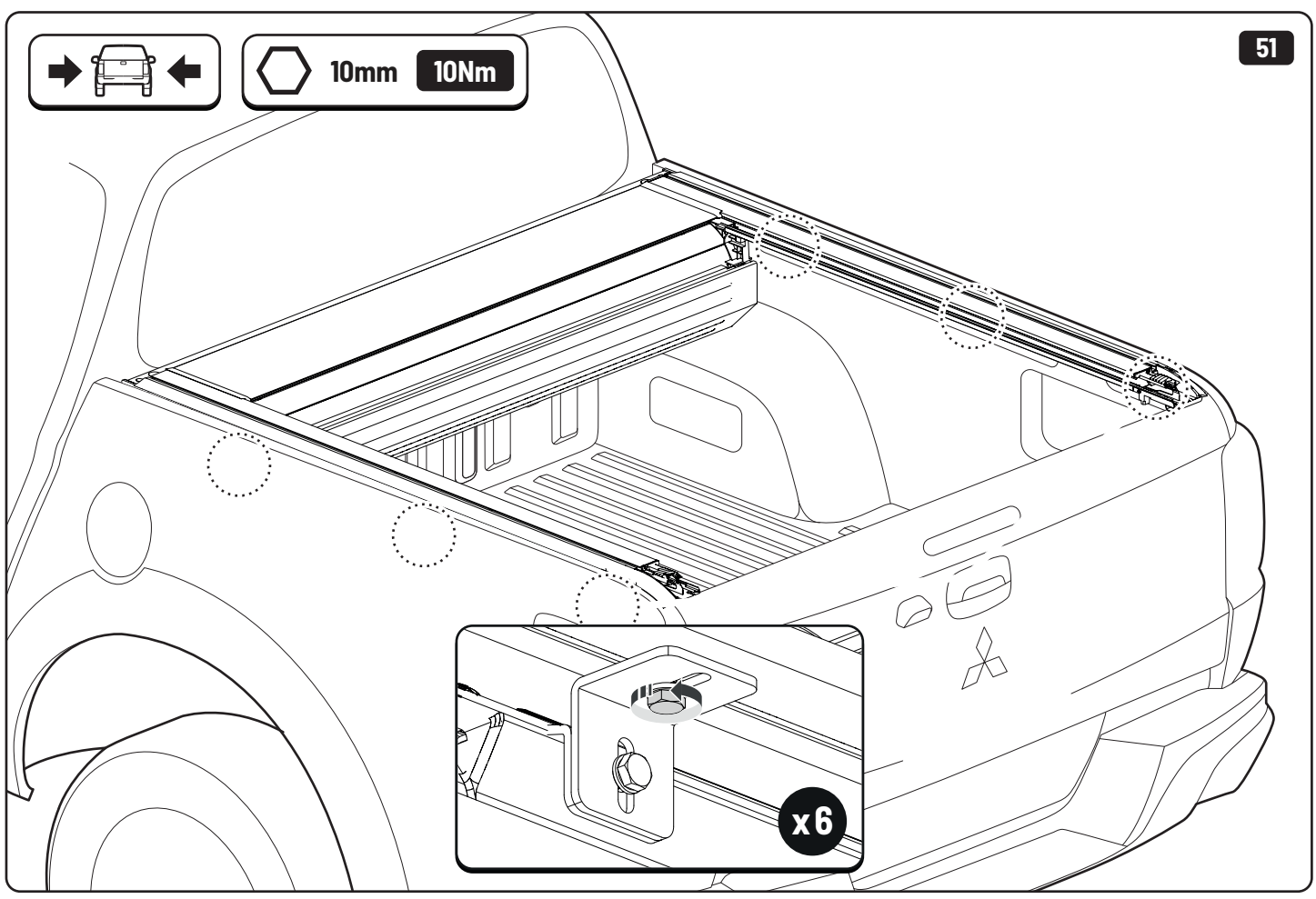
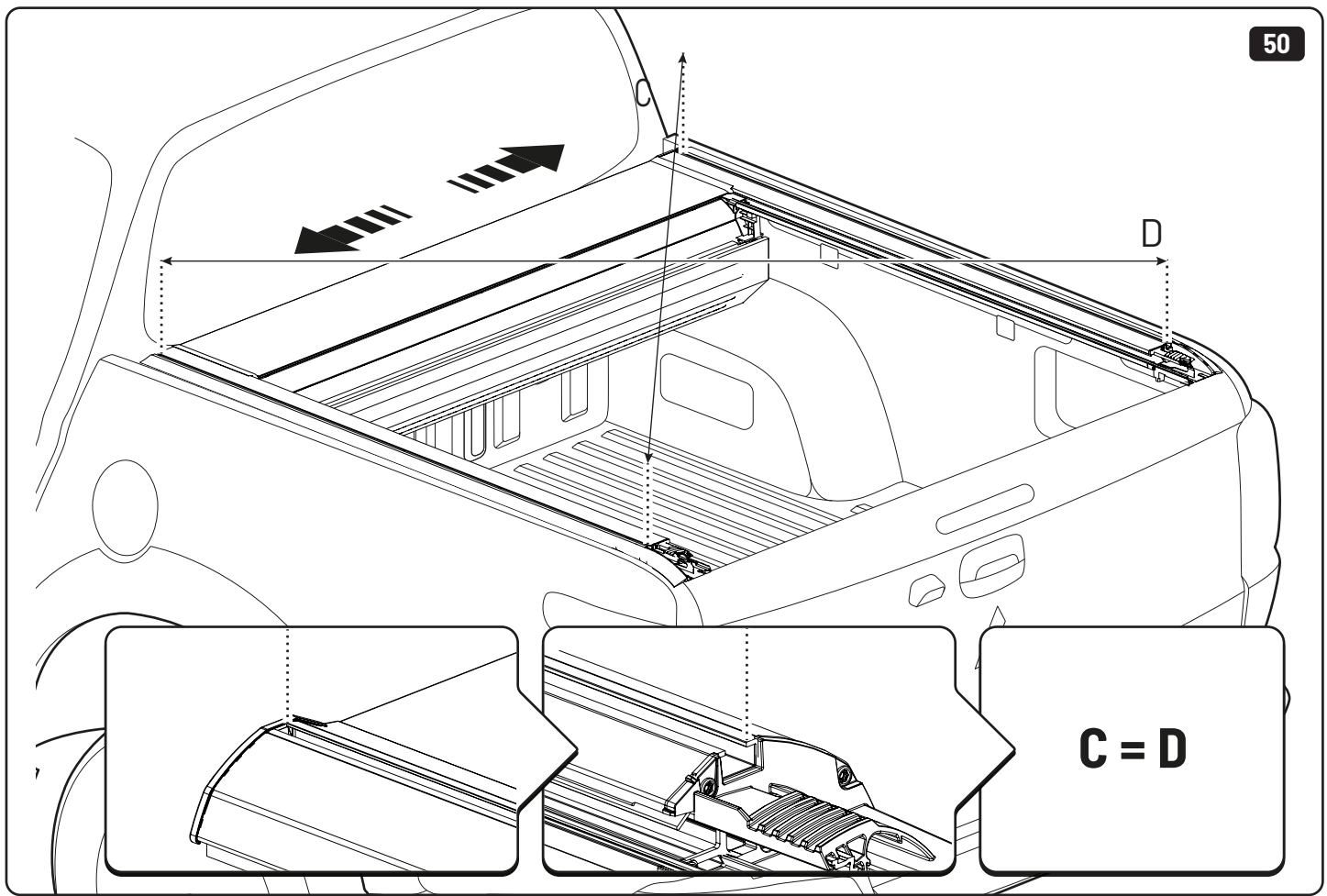


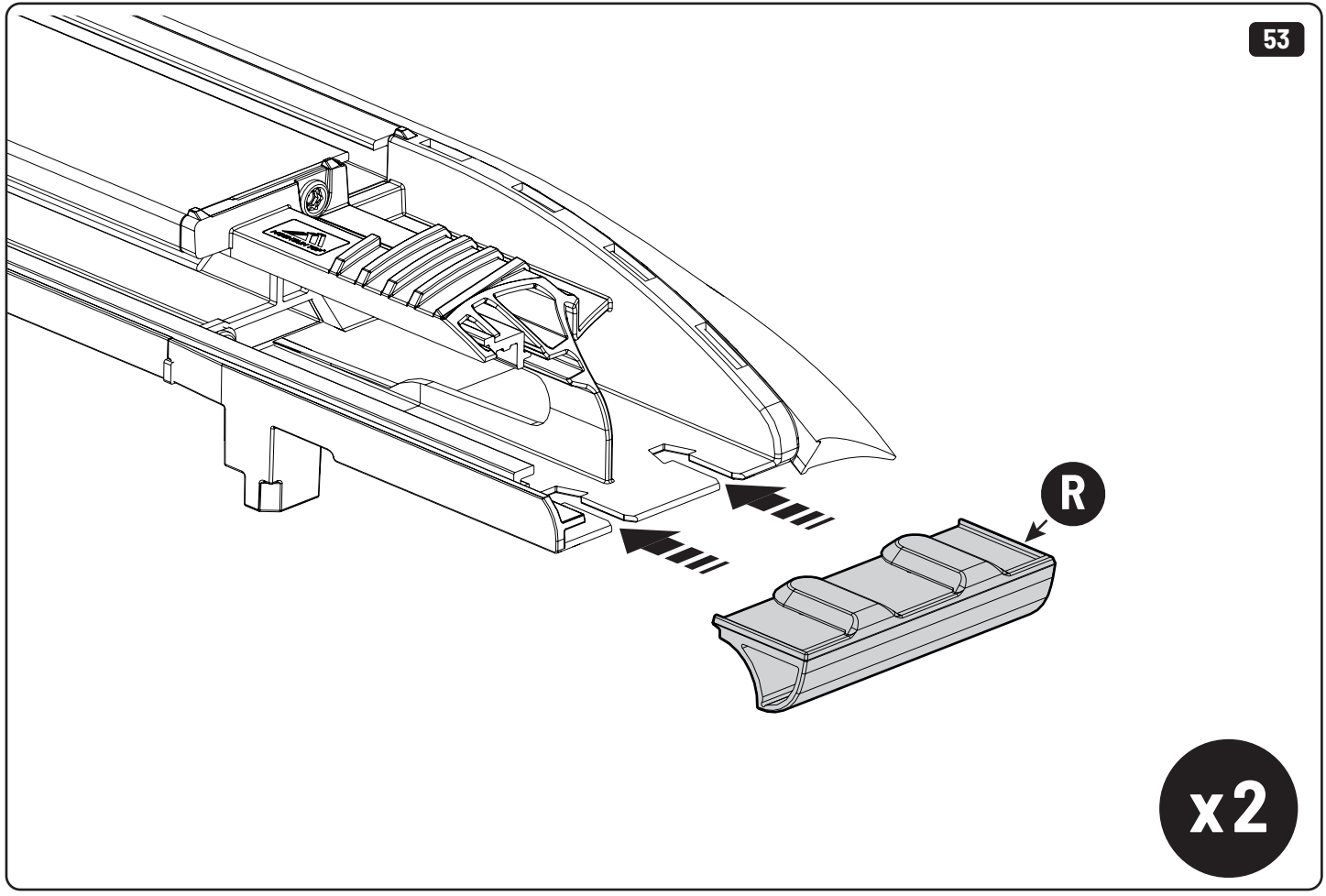
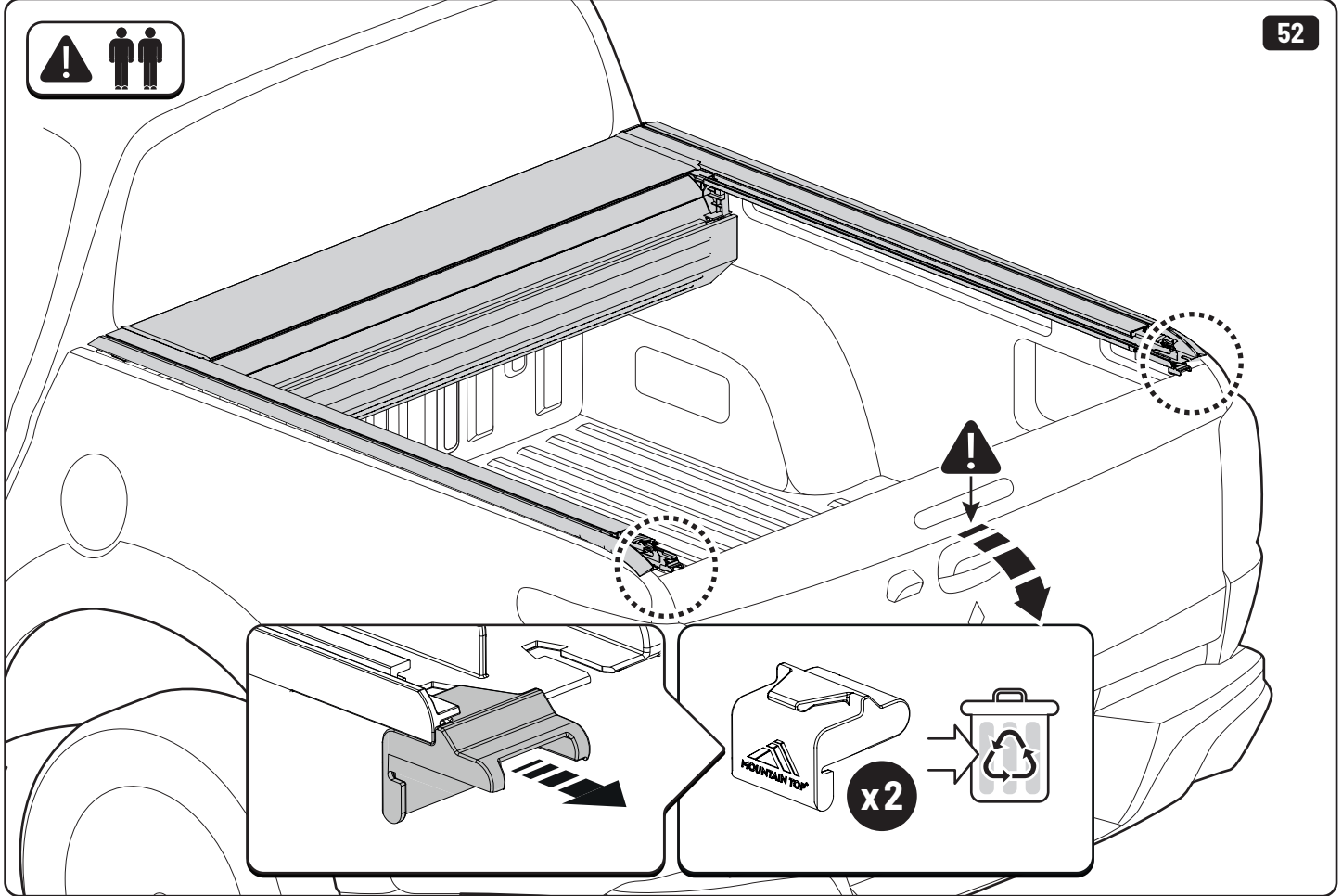


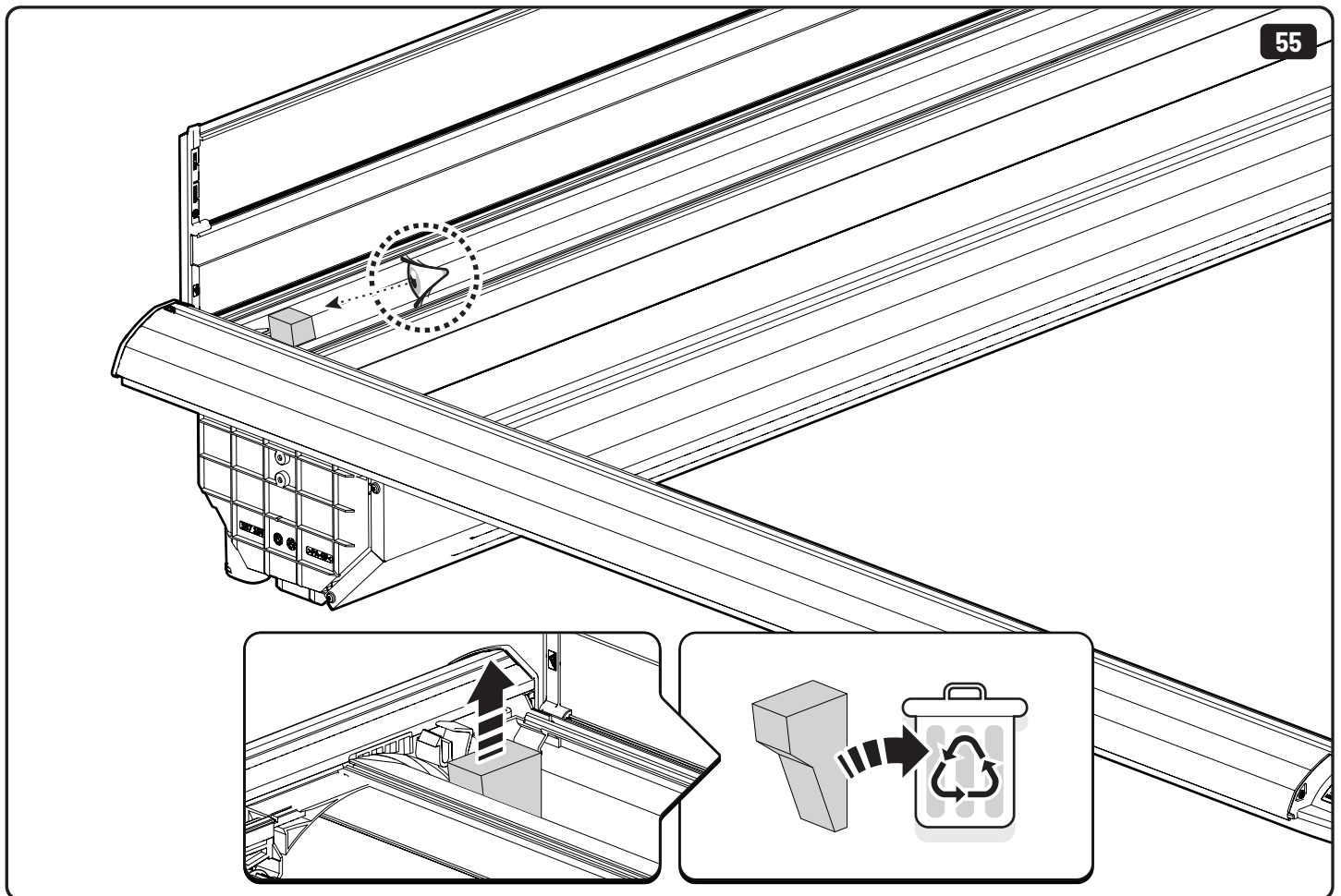
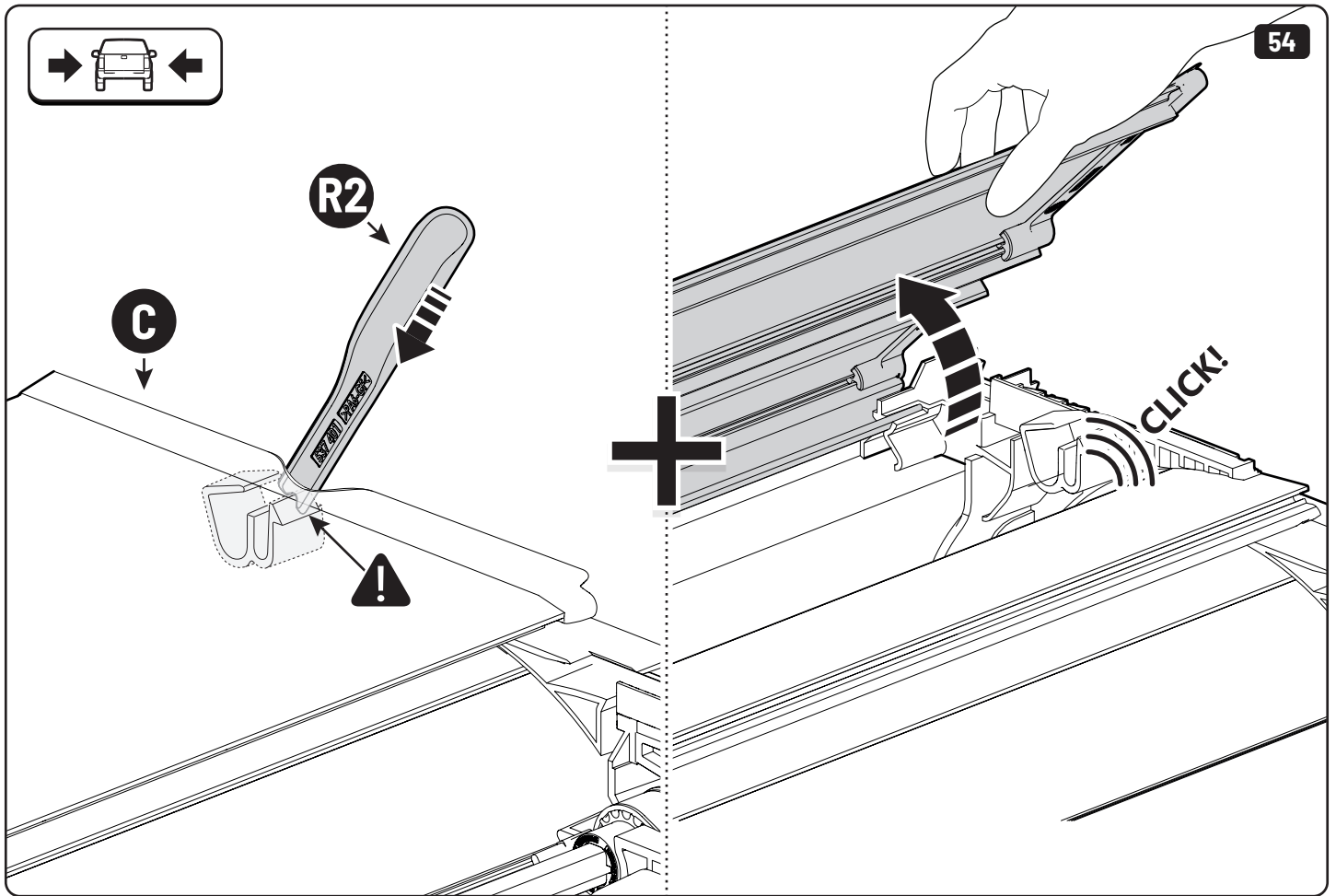


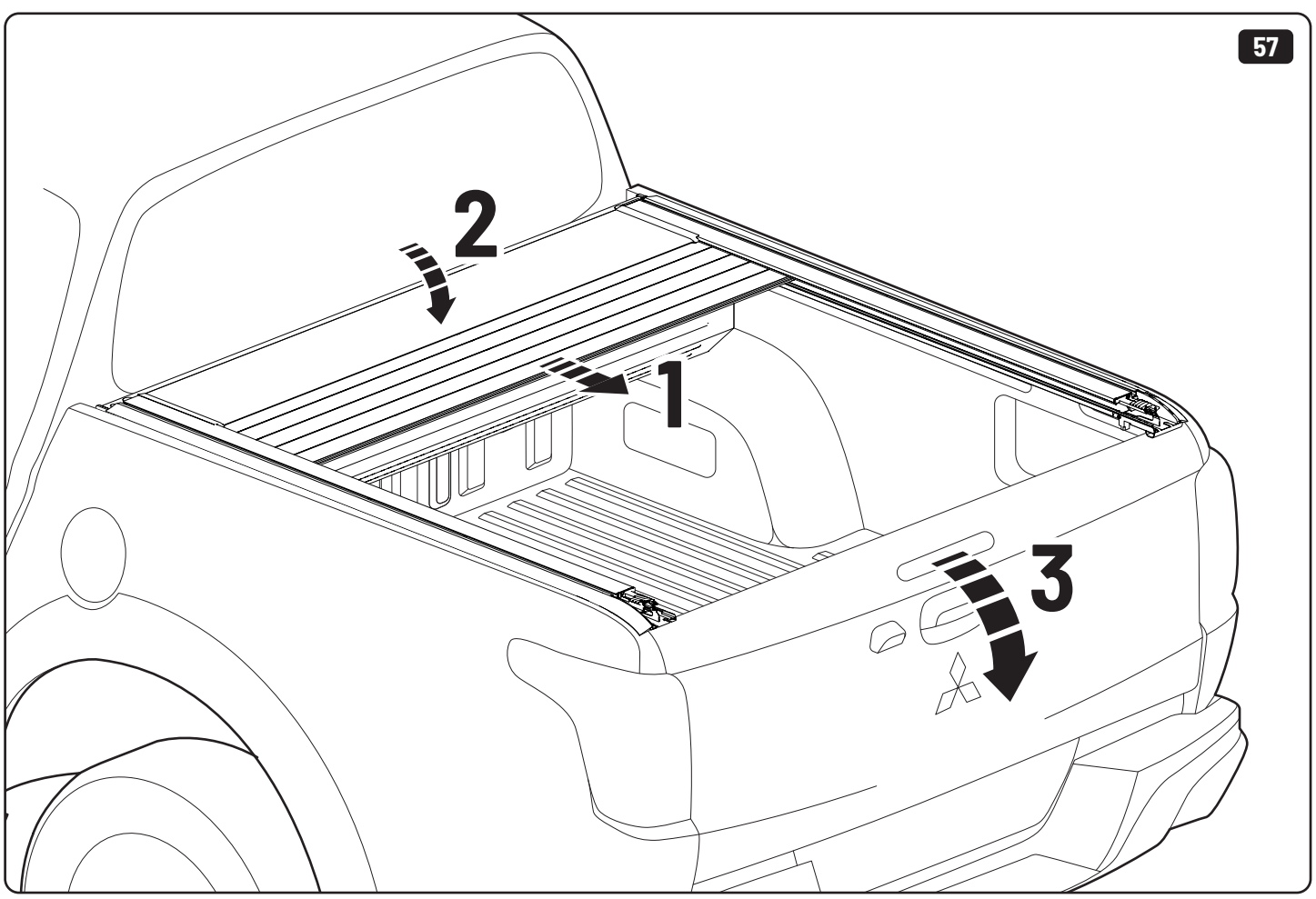
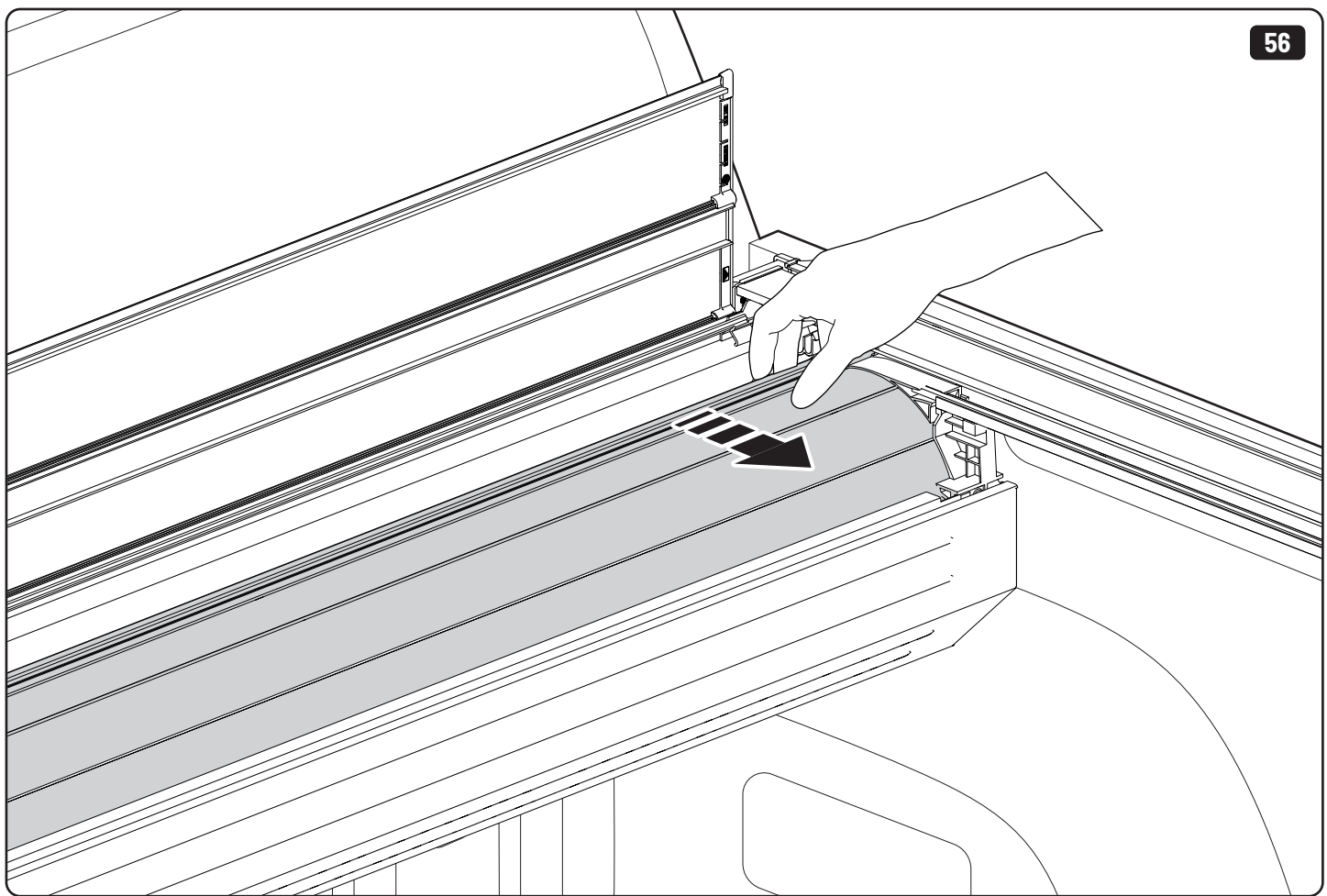
10mm 10Nm

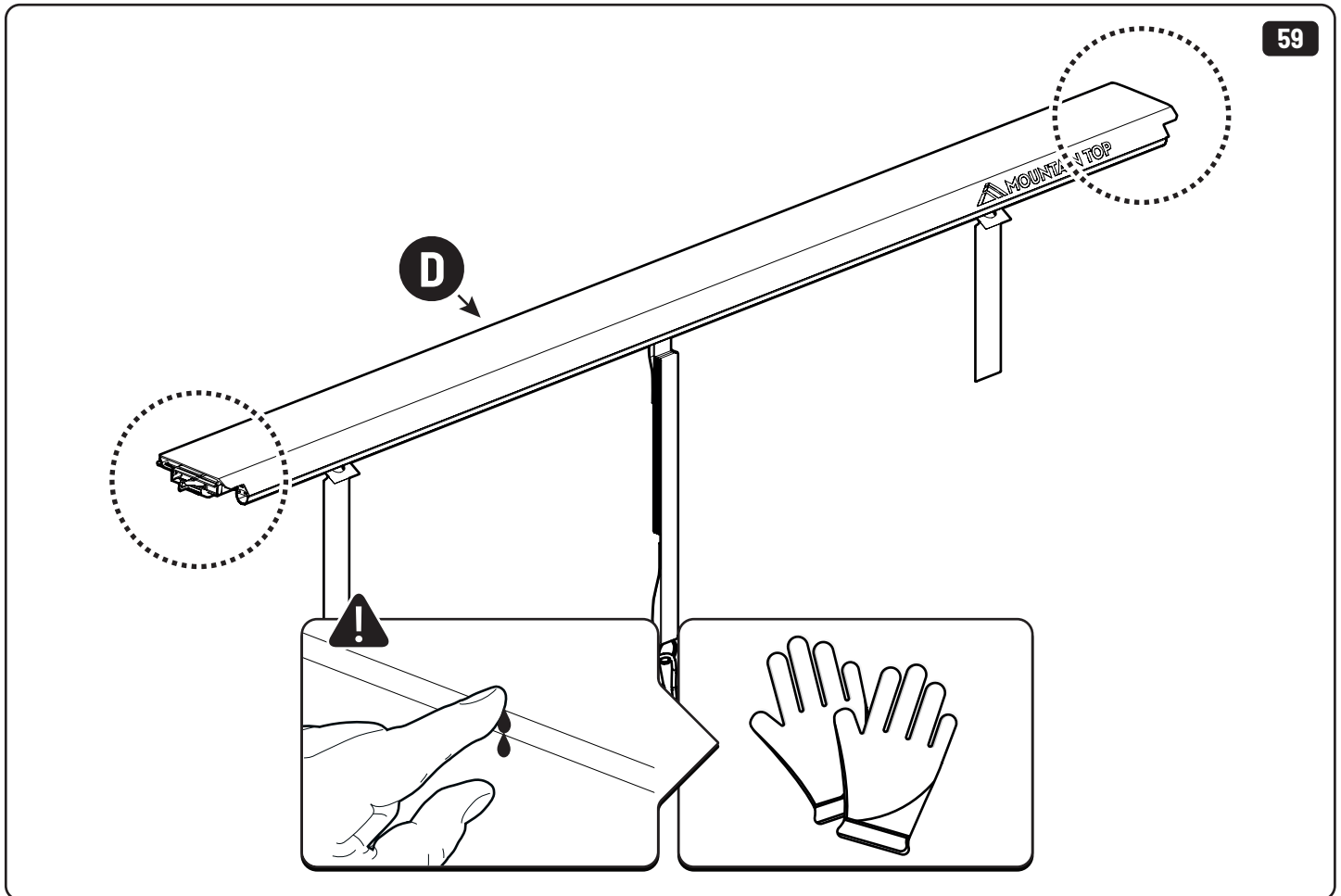
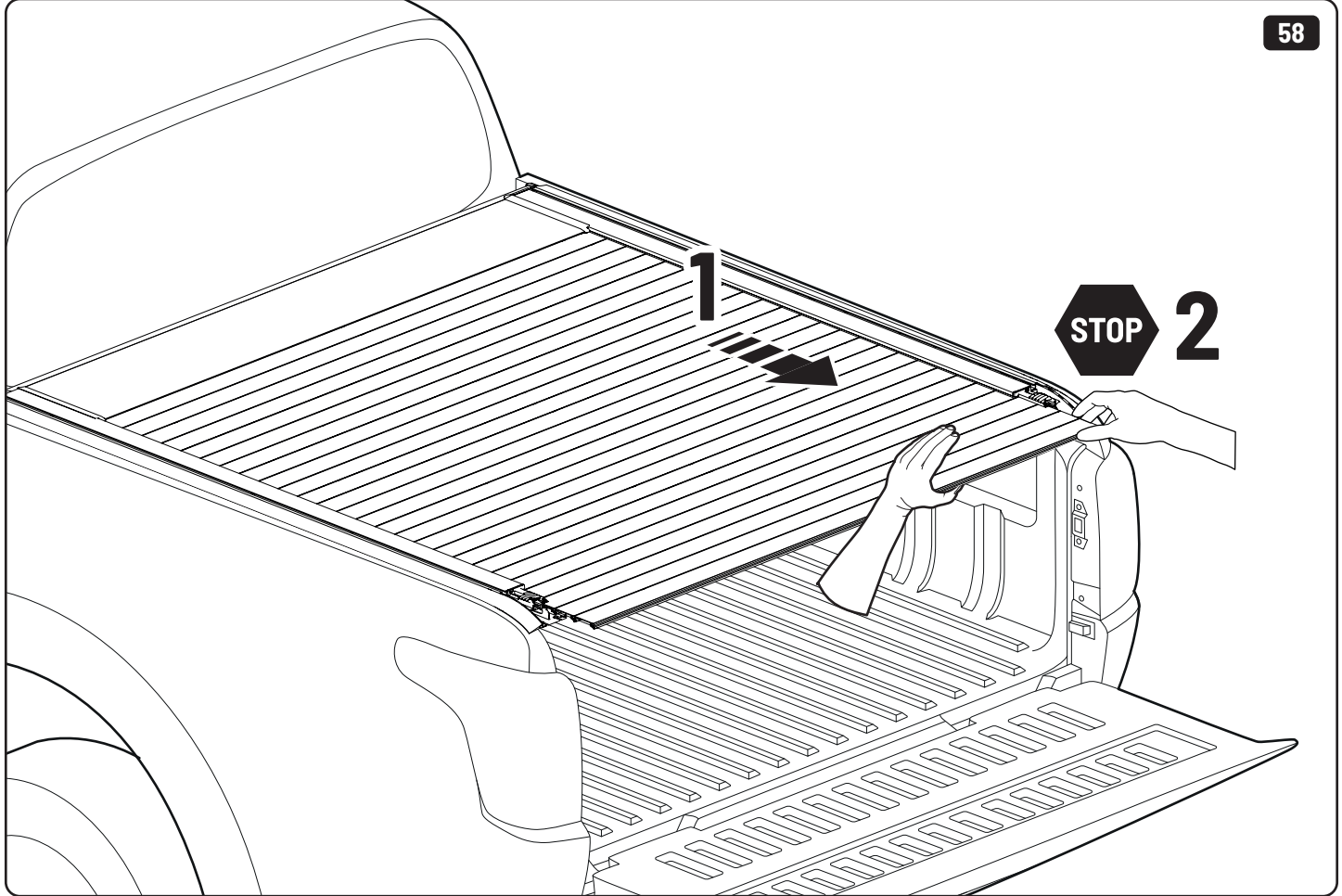


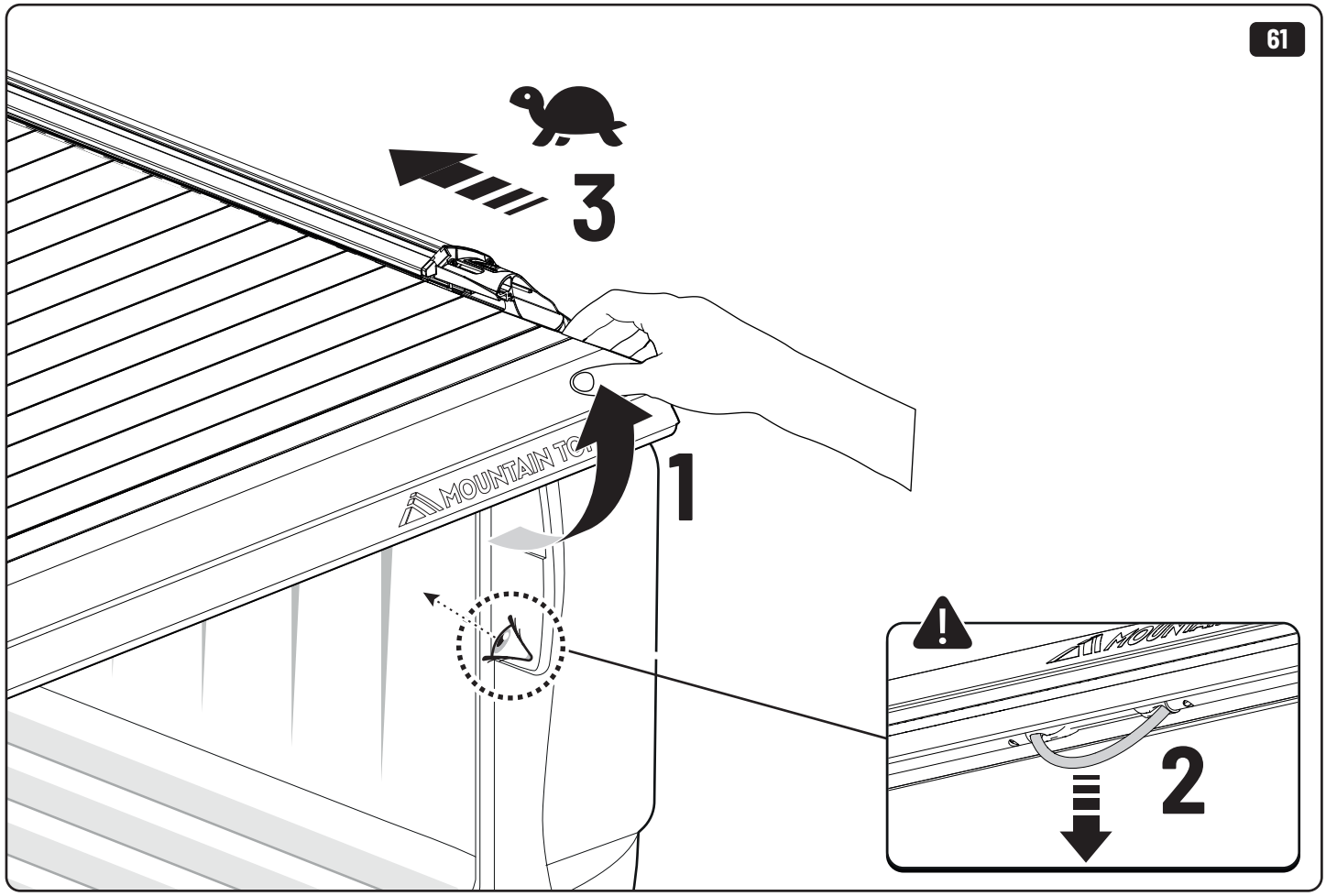
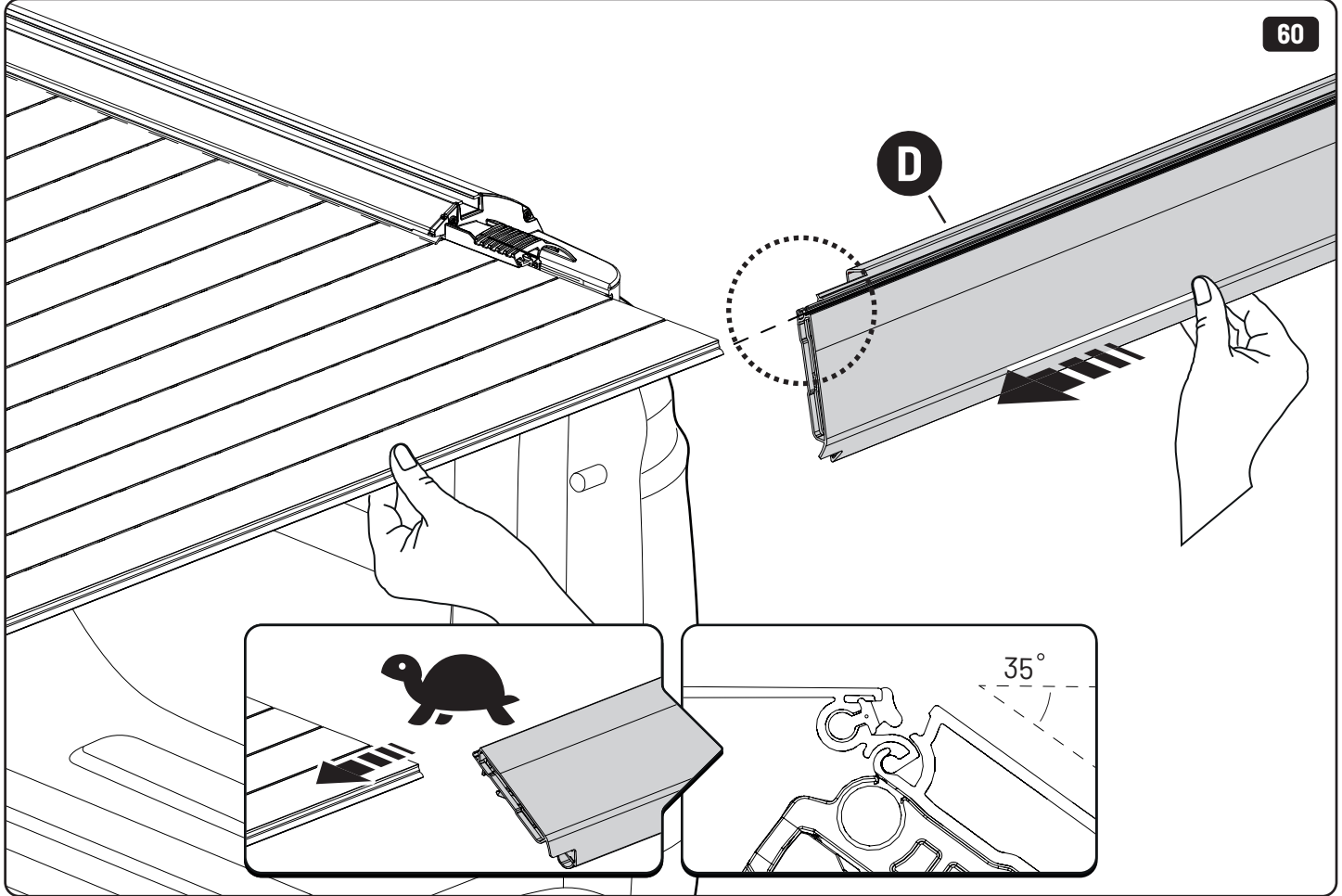


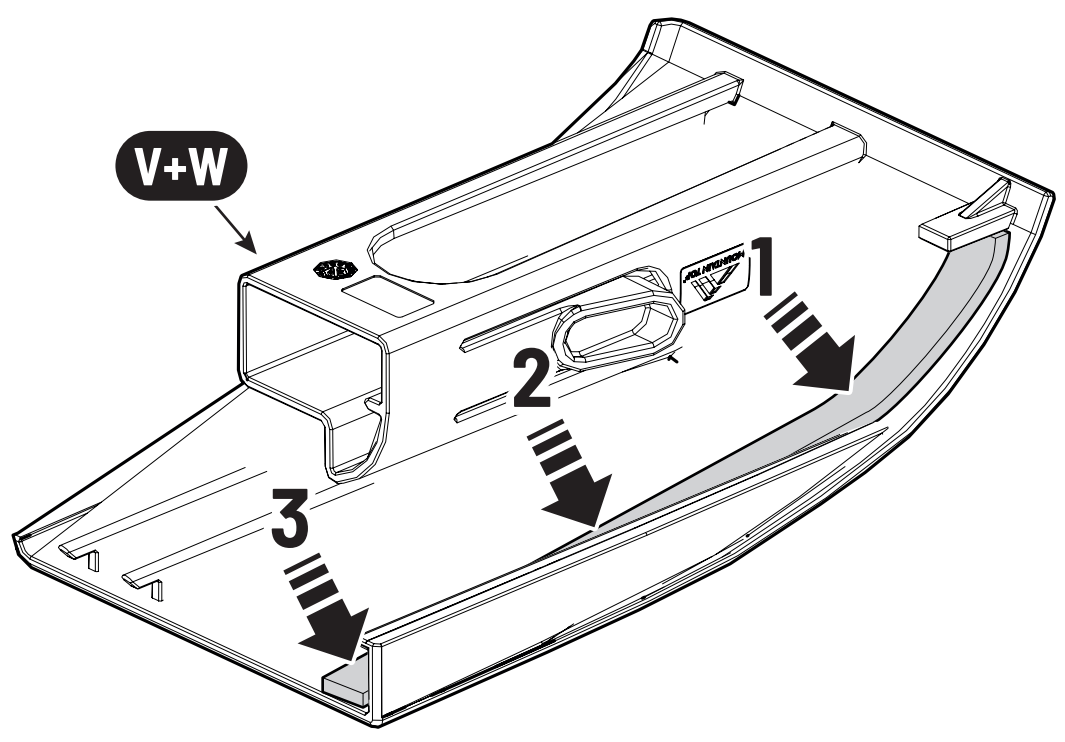
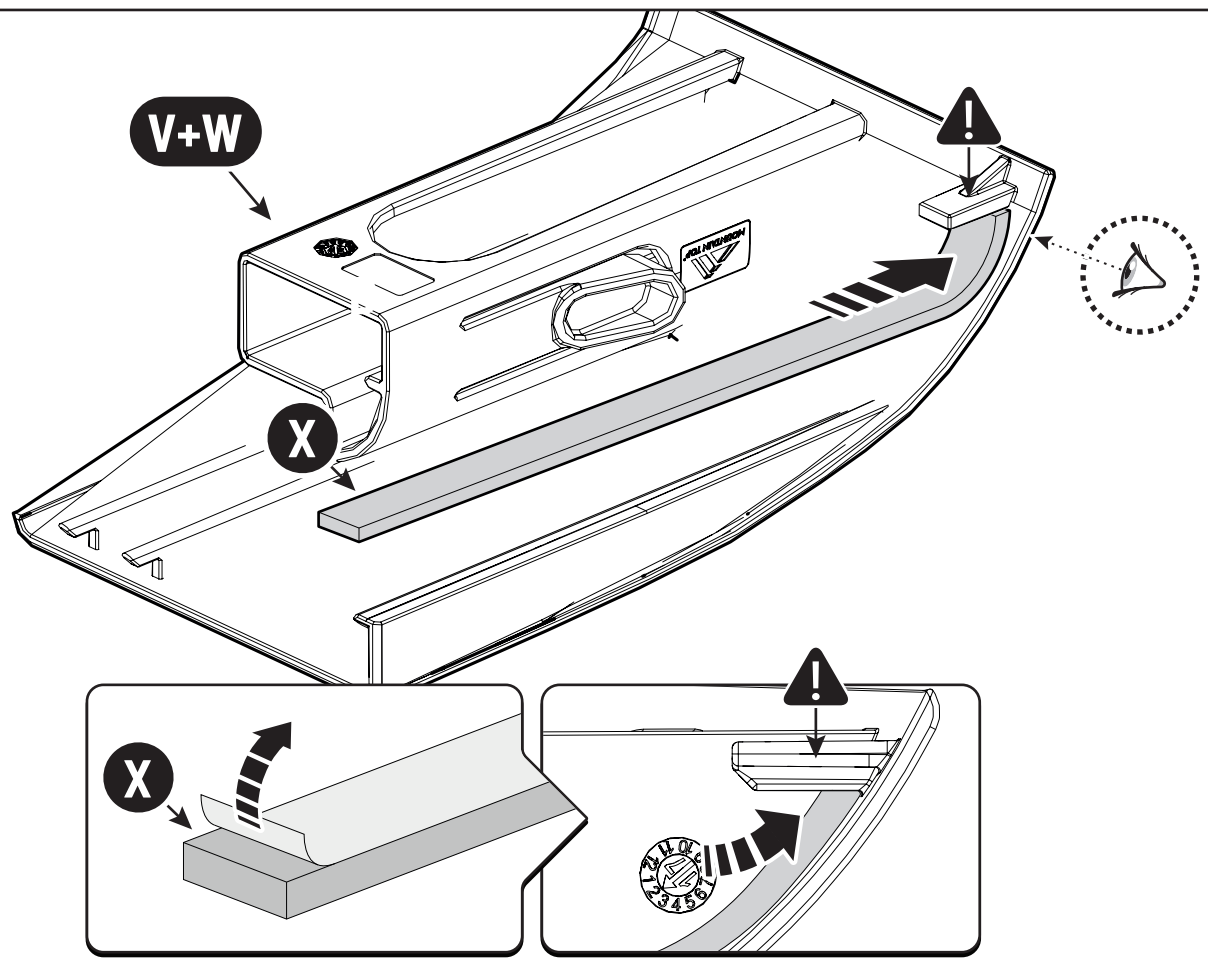


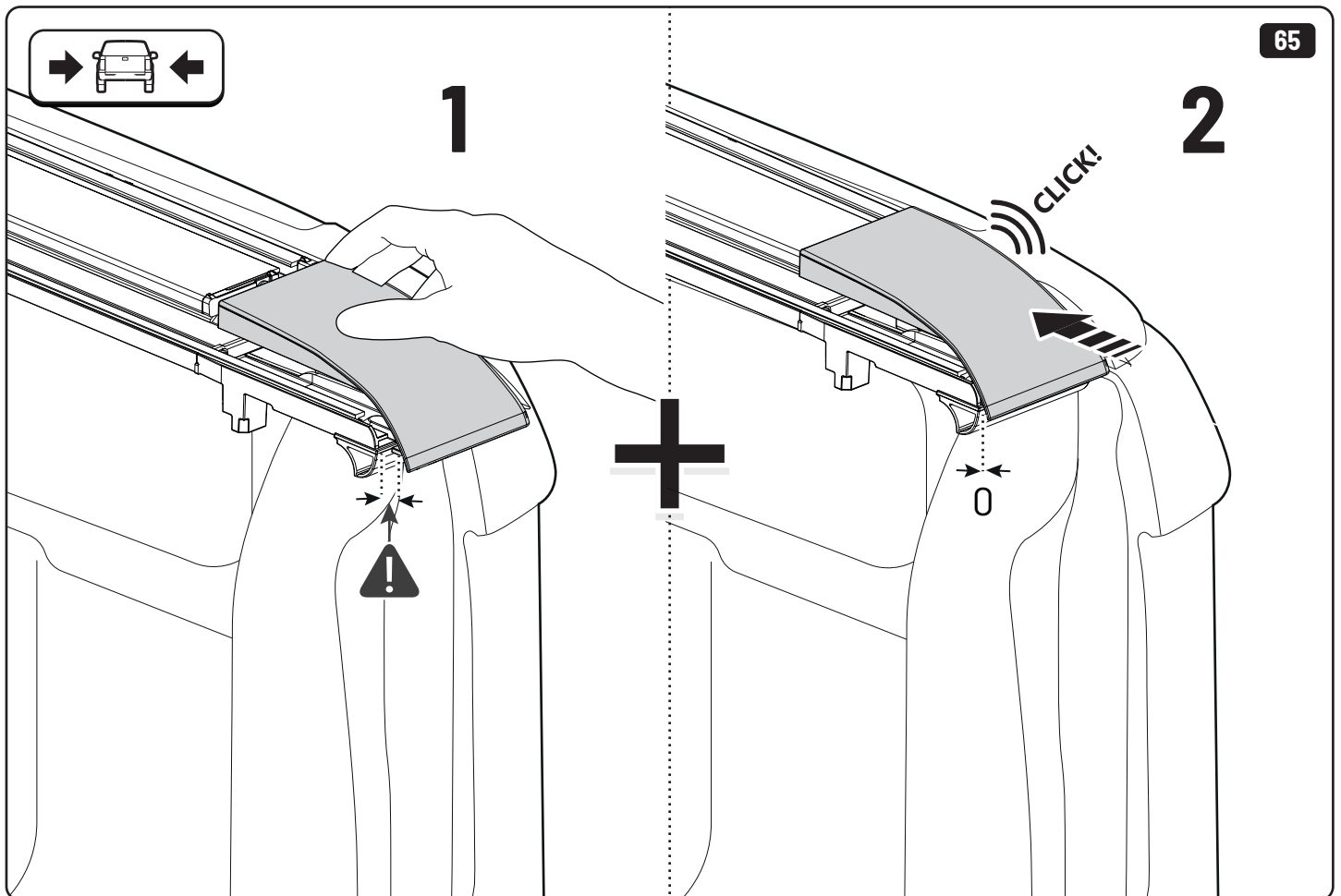
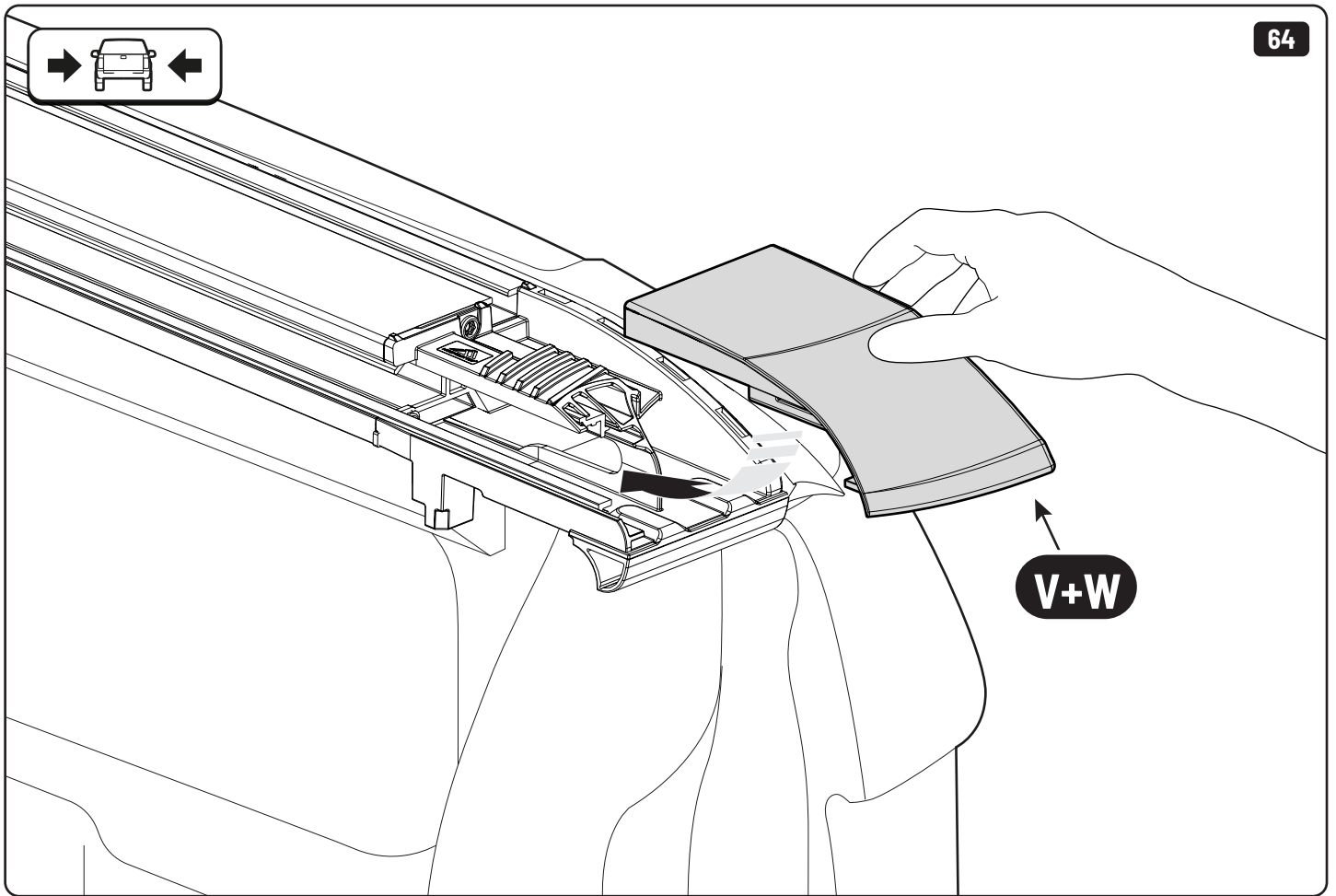


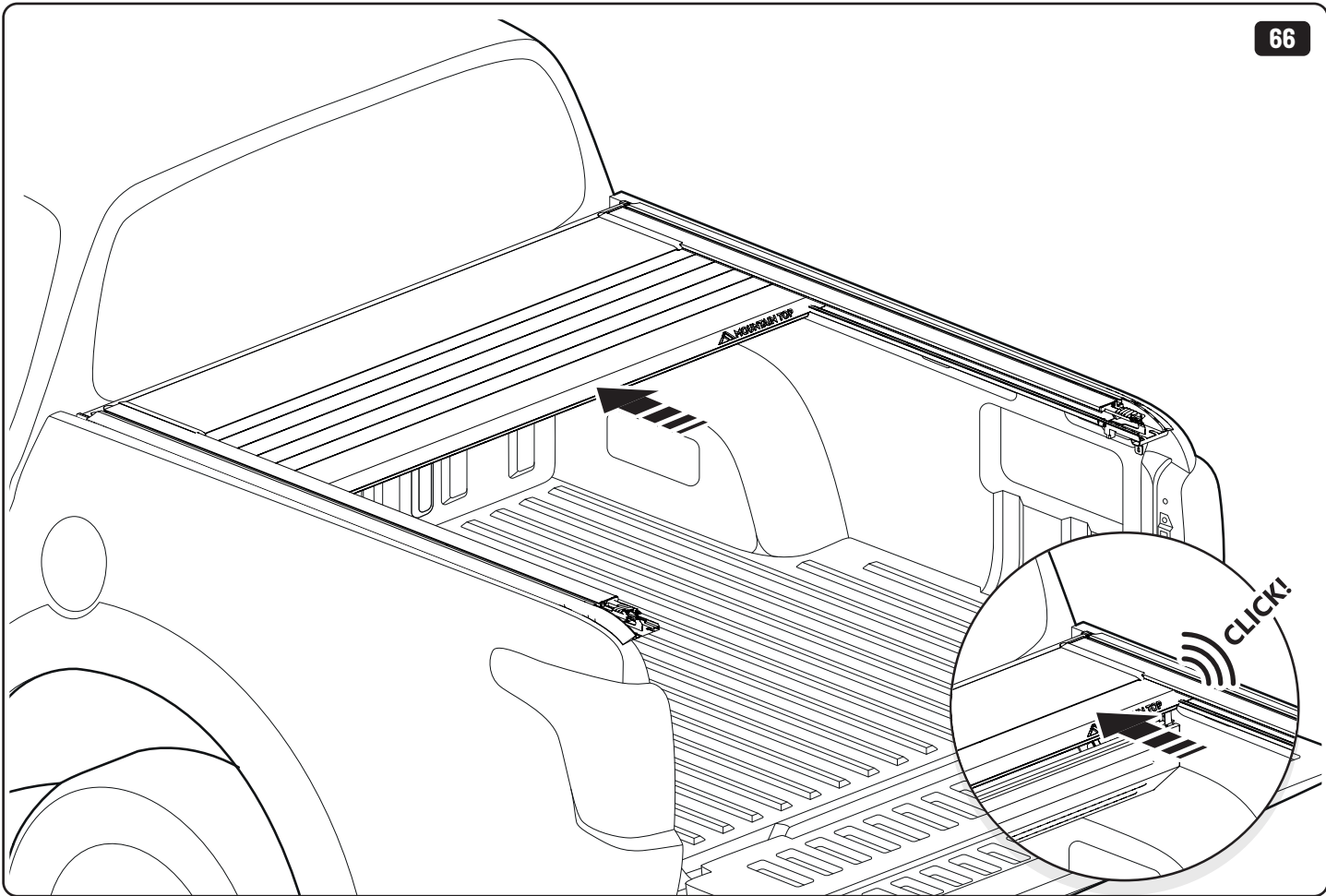


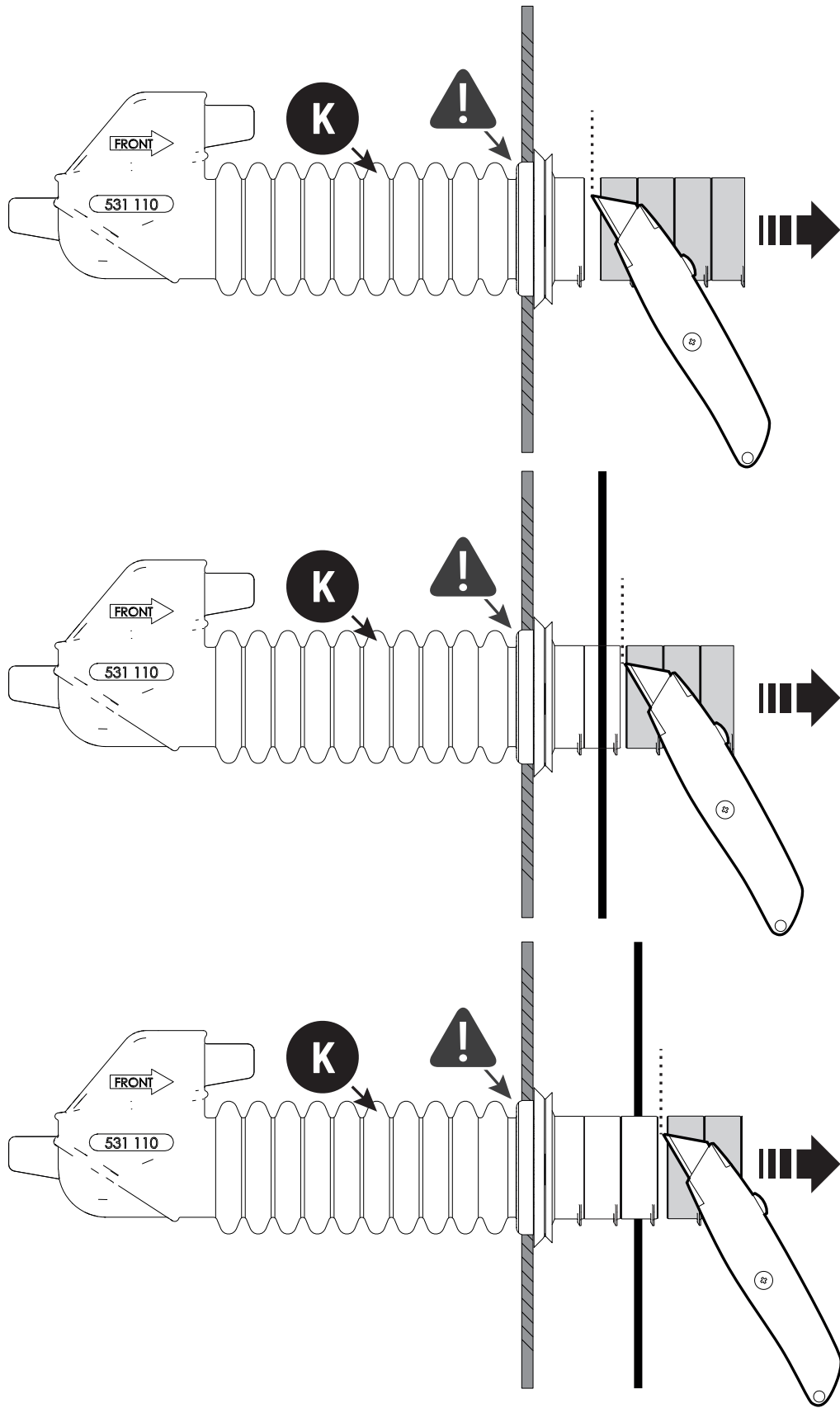


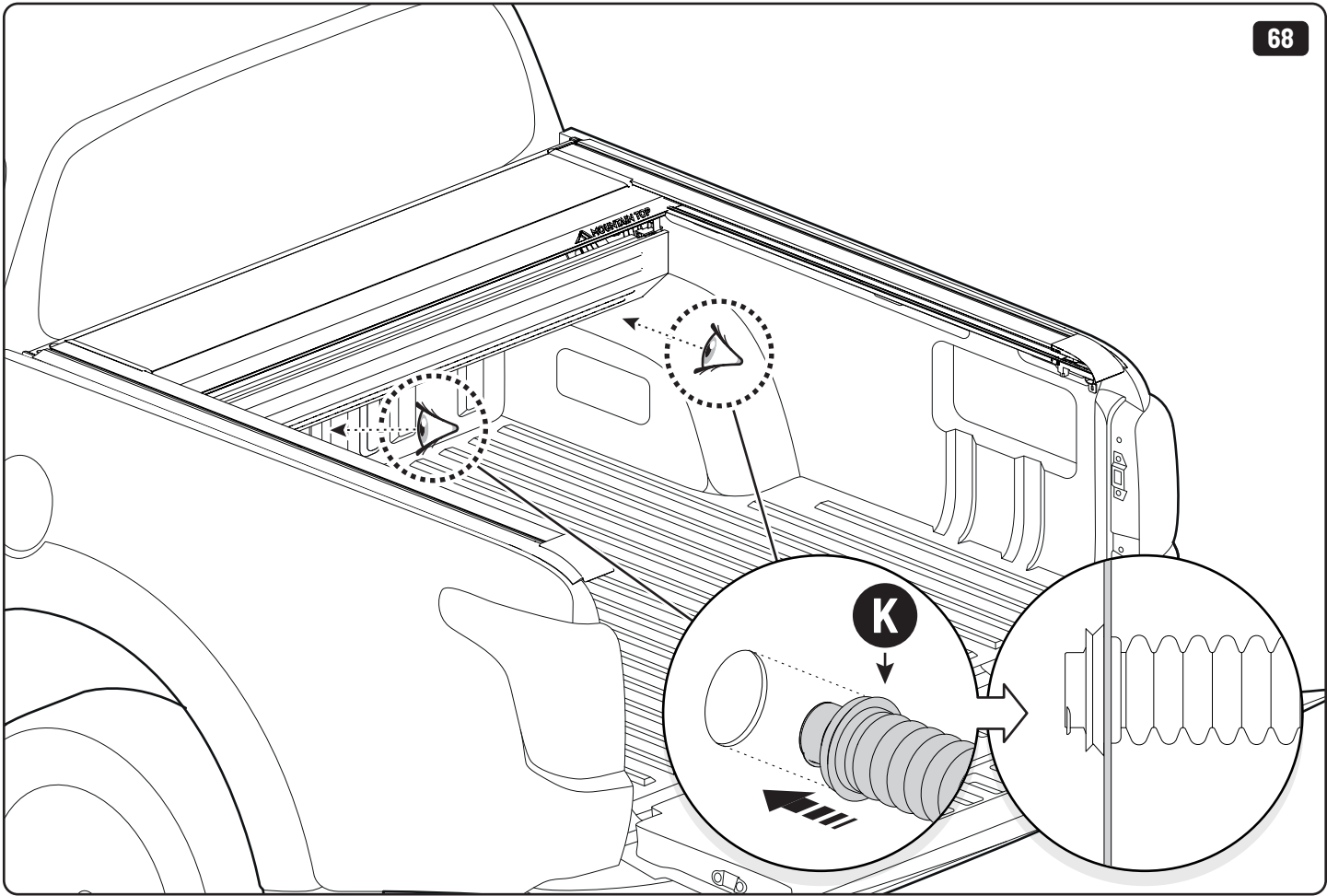














Steps	Page	Done by
Mounting gliding rail in canister	12	
Holes for drain	16	
Width + Cross measurement	29+30	
Tightening the bracket	29+30	
Mounting drain	40	



Customer Service +45 4810 2950 (08:00 - 16:00 CET)
Support info@mountaintop.dk
Website www.mountaintop.dk
Address Pedersholmparken 10, 3600 Frederikssund, Denmark

Part number (s)	Model / Year	Cab type (s)	Installation time	Weight
EVOm MI10 HB01	L200 / 2019 ->	Double Cab	1 hour (s)	31 kg

GB Installation manual	S Monteringsanvisning	D Einbauanleitung
SF Asennusohje	E Instrucciones de montaje	CZ Návod k instalaci
F Notice de montage	H Szerelési utasítás	I Istruzioni di montaggio
PL Instrukcja montażu	P Instruções de instalação	GR Οδηγίες Εγκατάστασης
NL Installatie-instructies	RUS Инструкция по установке	DK Monteringsvejledning
TR Montaj Talimatı	N Monteringsveiledning	RO Instructiuni de instalare