

INSTALLATION MANUAL

PRODUCT: FRONT BUMPER

MODEL: JEEP WRANGLER JK
(2007-2018)
JEEP WRANGLER JL (2018-)
JEEP GLADIATOR JT (2019-)

PART NO: 2D.2701.2-NL FULL WIDTH



CAUTION!

To reduce the risk of serious injury or damage, please read and understand all instructions and procedures before attempting to install or use this product.

Safety glasses must be worn at all times during installation or maintenance of this product.

Ensure all mounting bolts are tensioned after 250 miles (400 km) and periodically there after.

NOTICE

Whilst the bumper adds additional protection to your vehicle, precautionary measures still need to be taken to avoid damage.

Always drive to the conditions and your surroundings

FRONT BUMPER

Part Number: 2D.2701.2-NL (FULL WIDTH)
Suited to vehicle: JEEP WRANGLER JL 2018-
JEEP WRANGLER JK 2007-2018
JEEP GLADIATOR JT 2019-
Material: Aluminum/Steel



Part Number: 2D.2702.2-NL (STUBBY)
Suited to vehicle: JEEP WRANGLER JL 2018-
JEEP WRANGLER JK 2007-2018
JEEP GLADIATOR JT 2019-
Material: Aluminum/Steel



SAFETY NOTICE

- * The RIVAL Bumper is designed to compliment the use and design of the specified vehicle under conditions specified by the vehicle manufacturer.
- * While driving the vehicle at any speed, collision with any other vehicle, animal or object must always be avoided.
- * Following any collision with any other vehicle, animal or object, the RIVAL Bumper and the vehicle must be inspected by a specialized or suitably qualified vehicle repairer for possible damage to the components and assemblies in order to confirm suitability for further use of the vehicle.
- * It is strongly recommended that you do not operate a vehicle with a damaged bumper or its components. In the case of damage, please contact the nearest RIVAL dealer. Vehicle, or where the bumper has been damaged, is extremely dangerous and must be avoided at all cost.
- * The operation of a vehicle where the bumper is not properly attached and fastened to the vehicle, or where the bumper has been damaged, is extremely dangerous and must be avoided at all cost.
- * It is recommended that you carry out regular inspections of all the bumper elements such as all bolts, wires, connectors.
- * A winch with a pull capacity of up to 12000 lb can be installed with the RIVAL Bumper. It is not advisable to exceed this pulling capacity since damage, injury or death may occur where the 12000lb recommended capacity is exceeded. The Rival bumper provides standard 4 1/2"x10" mounting holes.

INSTALLATION NOTICE

- * Personal safety during the installation process must be adhered to at all times and the use.
- * Estimated time for installation: 2 hours.
- * The RIVAL Bumper must be mounted and affixed to the vehicle according to this installation manual of personal safety equipment is highly recommended.
- * Do not install this bumper on vehicle models other than those allowed in this manual.
- * Check state and local highway safety laws regarding permitted bumper types and heights.
- * If you bought the 2D.2701.2 bumper, please use this instruction to install the bumper then refer to the LED lights installation guide.

REQUIRED TOOLS

- * Basic tool kit
- * Torque wrench
- * Crosspoint and flat head screwdriver

TORQUE SETTINGS

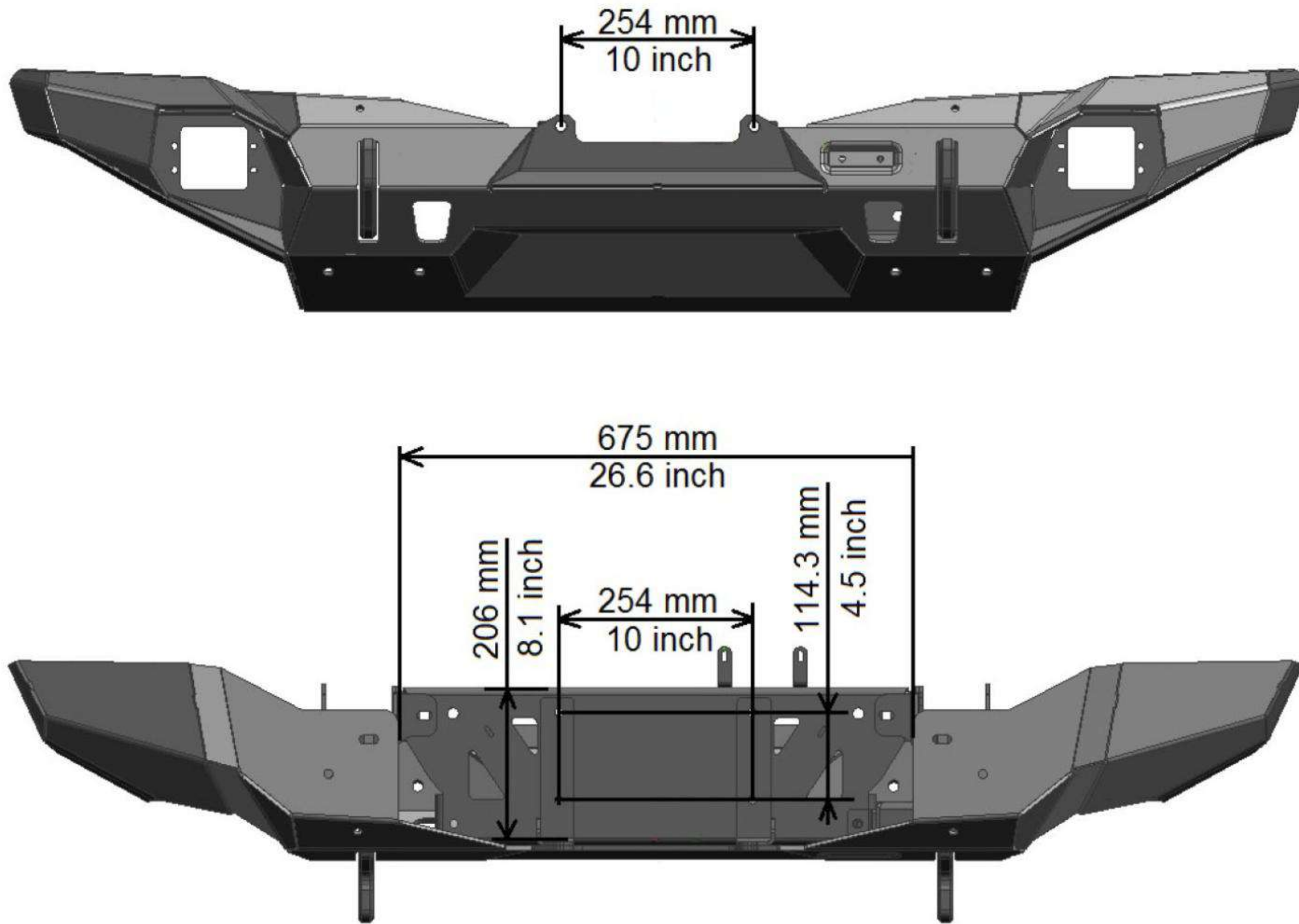
- * M6 - 9 N·m (6.6 lb/ft),
- * M10 - 30 N·m (22.1 lb/ft),
- * M12 - 77 N·m (56.8 lb/ft).

TECNICAL INFORMATION

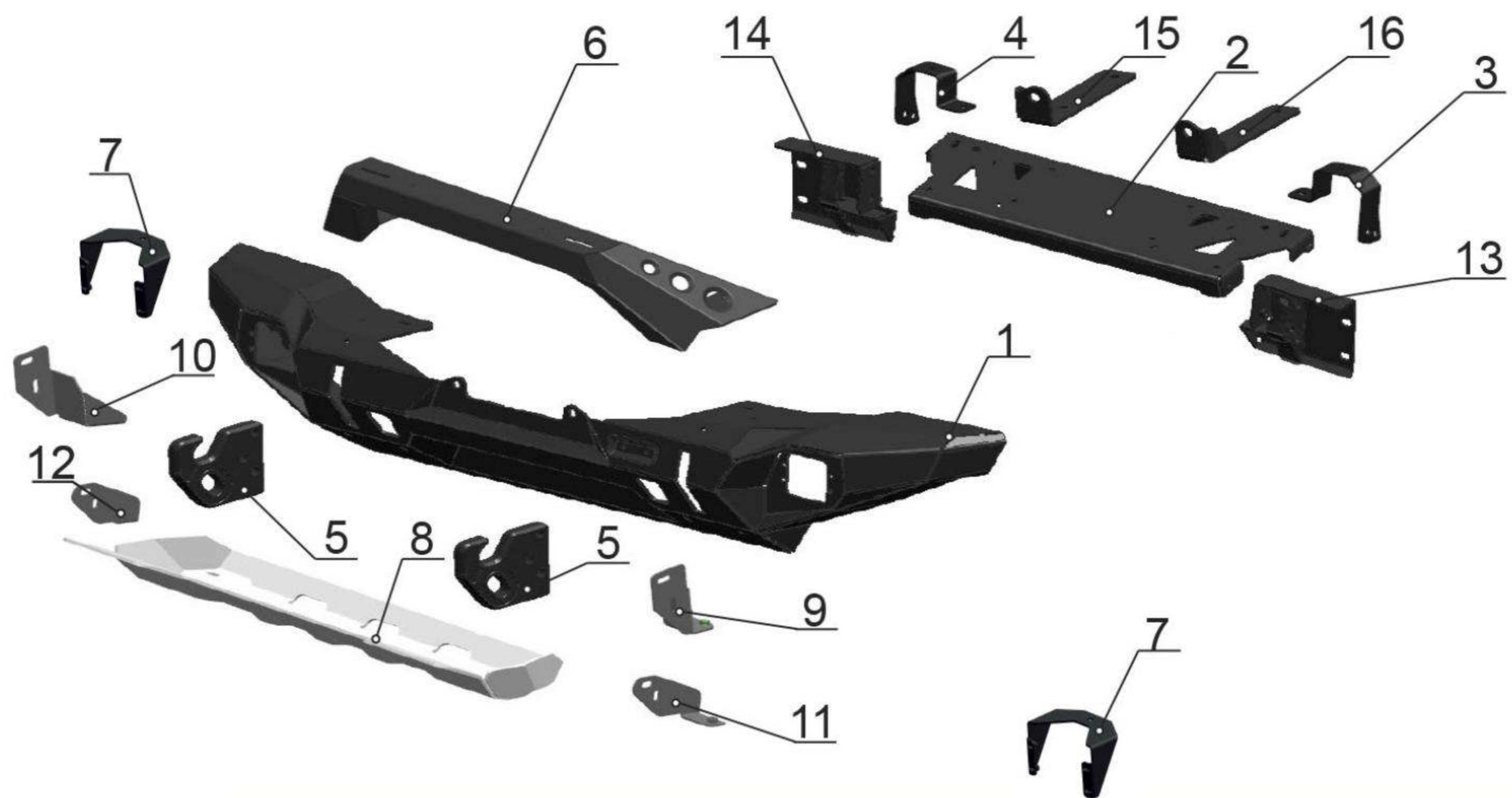
* WINCH INSTALLATION

A winch with a pull capacity of up to 12000 lbs can be installed with the RIVAL Bumper. It is not advisable to exceed this pulling capacity since damage, injury or death may occur where the 12000 lbs recommended capacity is exceeded.

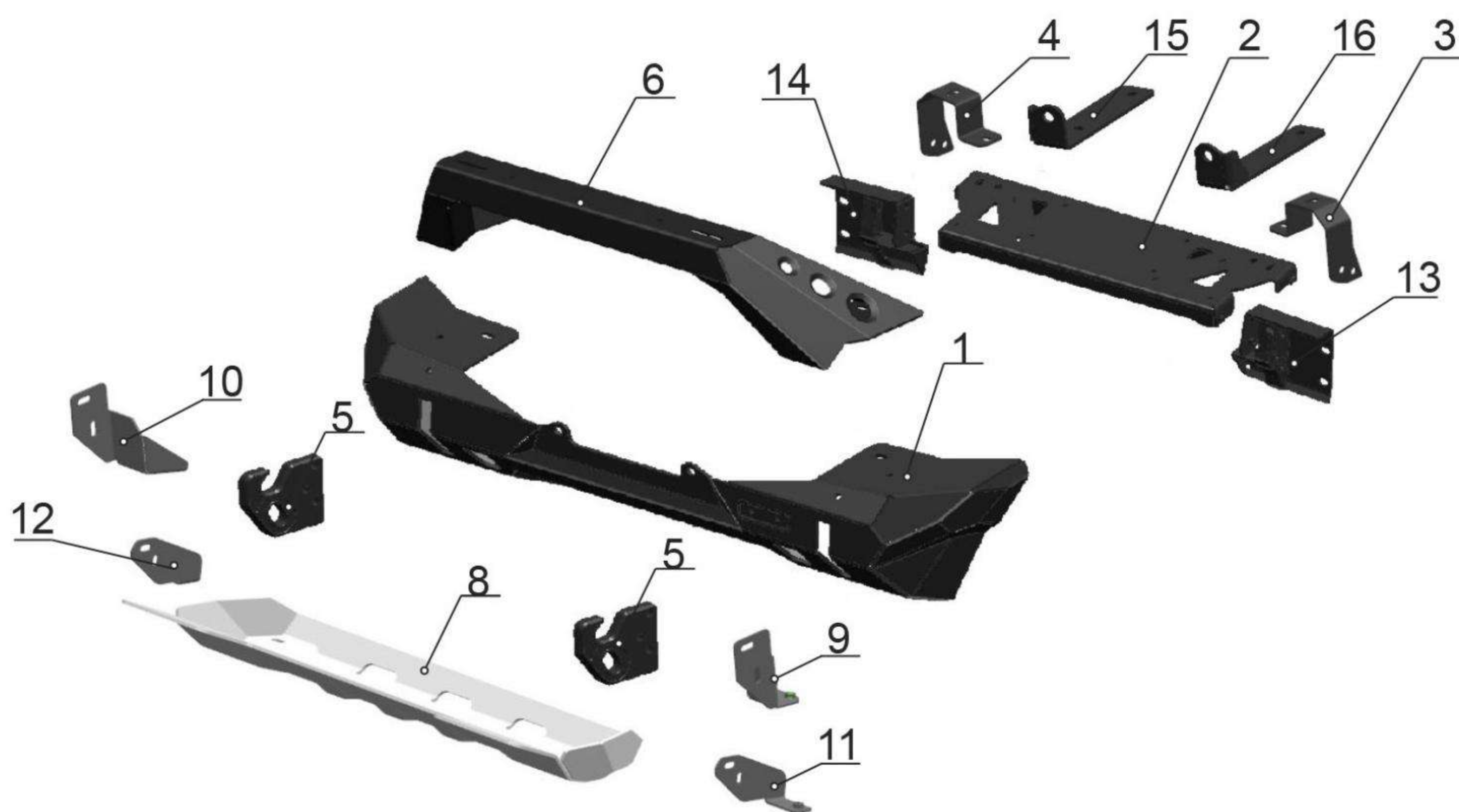
WINCH MEASUREMENTS:



PARTS LISTING



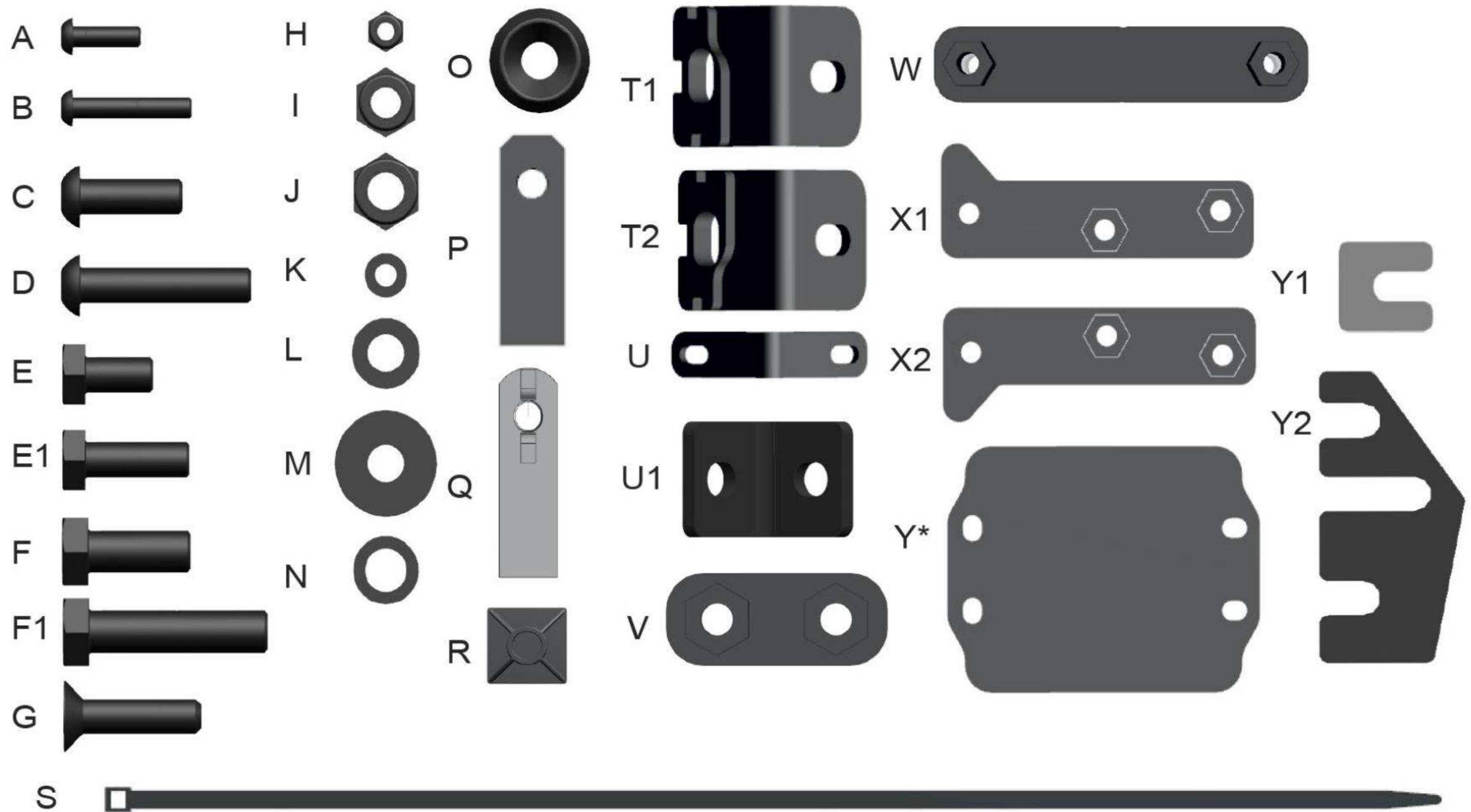
Front full width bumper 2D.2701.2-NL



Front stubby bumper 2D.2702.2-NL

- | | | | |
|------------------------------|-------|---------------------------------------|-------|
| 1. Aluminum bumper body..... | Qty 1 | 9. Skid plate bracket left (JK)..... | Qty 1 |
| 2. Winch bracket..... | Qty 1 | 10. Skid plate bracket right (JK).... | Qty 1 |
| 3. Left adapter..... | Qty 1 | 11. Skid plate bracket left (JL).... | Qty 1 |
| 4. Right adapter..... | Qty 1 | 12. Skid plate bracket right (JL).. | Qty 1 |
| 5. Tow hooks..... | Qty 2 | 13. Rite bracket..... | Qty 1 |
| 6. Lightbar..... | Qty 1 | 14. Left bracket..... | Qty 1 |
| 7. LED brackets..... | Qty 2 | 15. Fairlead right bracket..... | Qty 1 |
| 8. Skid plate..... | Qty 1 | 16. Fairlead left bracket..... | Qty 1 |

PARTS LISTING



*Included only in 2D.2701.2-NL full width bumper

2D.2701.2-NL full width bumper

A. Screw M6x20.....	Qty 10	O. Countersunk washer.....	Qty 6
B. Screw M6x35.....	Qty 2	P. Insert nut M10x65/20.....	Qty 6
C. Screw M10x30.....	Qty 8	Q. Insert nut M10 with cables.....	Qty 2
D. Screw M10x50.....	Qty 2	R. Cable clips.....	Qty 5
E. Bolt M10x20.....	Qty 14	S. Cable tie.....	Qty 6
E1. Bolt M10x30.....	Qty 6	T1. Angle strut bracket right (JL, JT).....	Qty 1
F. Bolt M12x30.....	Qty 8	T2. Angle strut bracket left (JL, JT).....	Qty 1
F1. Bolt M12x50.....	Qty 6	U. Vacuum pump bracket.....	Qty 2
G. Screw M10x40.....	Qty 6	U1. Angle strut bracket.....	Qty 2
H. Nut M6.....	Qty 4	V. Insert nut M10.....	Qty 2
I. Nut M10.....	Qty 8	W. Inner bracket.....	Qty 2
J. Nut M12.....	Qty 8	X1. Insert bracket left (JK).....	Qty 1
K. Washer 6.....	Qty 16	X2. Insert bracket right (JK).....	Qty 1
L. Washer 10.....	Qty 36	Y. LED light cap.....	Qty 2
M. Flat washer 10.....	Qty 4	Y1. Adjustment plate 2mm.....	Qty 6
N. Washer 12.....	Qty 24	Y2. Adjustment plate 2mm.....	Qty 6

2D.2702.2-NL stubby bumper

A. Screw M6x20.....	Qty 10	O. Countersunk washer.....	Qty 6
B. Screw M6x35.....	Qty 2	P. Insert nut M10x65/20.....	Qty 6
C. Screw M10x30.....	Qty 8	Q. Insert nut M10 with cables.....	Qty 2
D. Screw M10x50.....	Qty 2	R. Cable clips.....	Qty 5
E. Bolt M10x20.....	Qty 14	S. Cable tie.....	Qty 6
E1. Bolt M10x30.....	Qty 6	T1. Angle strut bracket right (JL, JT).....	Qty 1
F. Bolt M12x30.....	Qty 8	T2. Angle strut bracket left (JL, JT).....	Qty 1
F1. Bolt M12x50.....	Qty 6	U. Vacuum pump bracket.....	Qty 2
G. Screw M10x40.....	Qty 6	U1. Angle strut bracket.....	Qty 2
H. Nut M6.....	Qty 4	V. Insert nut M10.....	Qty 2
I. Nut M10.....	Qty 8	W. Inner bracket.....	Qty 2
J. Nut M12.....	Qty 8	X1. Insert bracket left (JK).....	Qty 1
K. Washer 6.....	Qty 16	X2. Insert bracket right (JK).....	Qty 1
L. Washer 10.....	Qty 36	Y1. Adjustment plate 2mm.....	Qty 6
M. Flat washer 10.....	Qty 4	Y2. Adjustment plate 2mm.....	Qty 6
N. Washer 12.....	Qty 24		

INSTALLATION PROCEDURE

Preparation for installation on JK, JL, JT

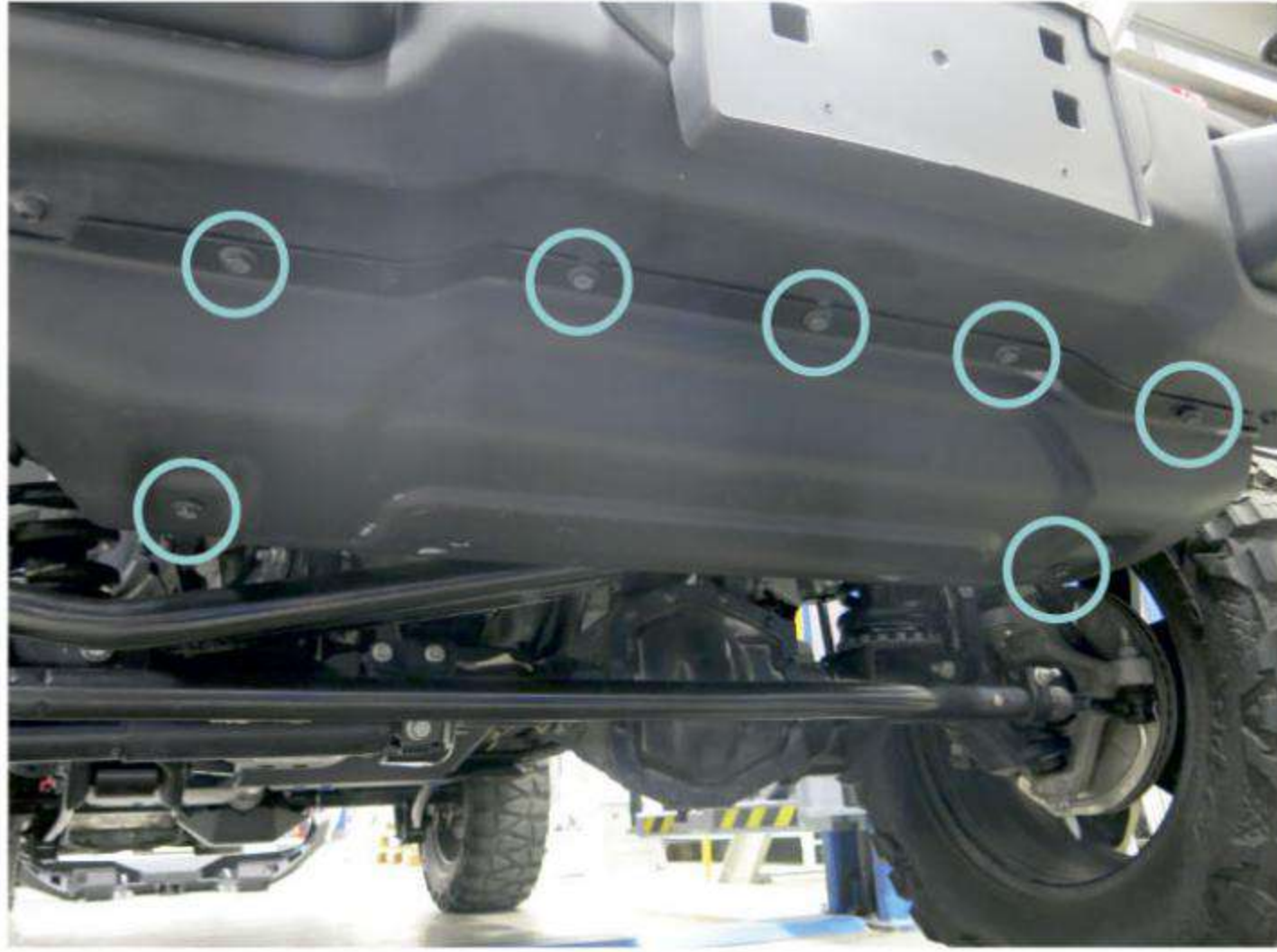


Fig. 1

1. Remove 7 bolts securing steering skid plate. Uninstall skid plate. Fig. 1.



Fig. 2

2. Unscrew 2 bolts (on each side) securing skid plate bracket. Fig. 2.



Fig. 3

3. Unscrew 2 bolts securing OE skid plate. Fig. 3.



Fig. 4

4. Remove fascia plate trim clips. Fig. 4.



Fig. 5

5. Remove plastic push clips, using a small feather edge screwdriver. Fig. 5.



Fig. 6

6. Disconnect the fog light wire harness. Fig. 6.

INSTALLATION PROCEDURE

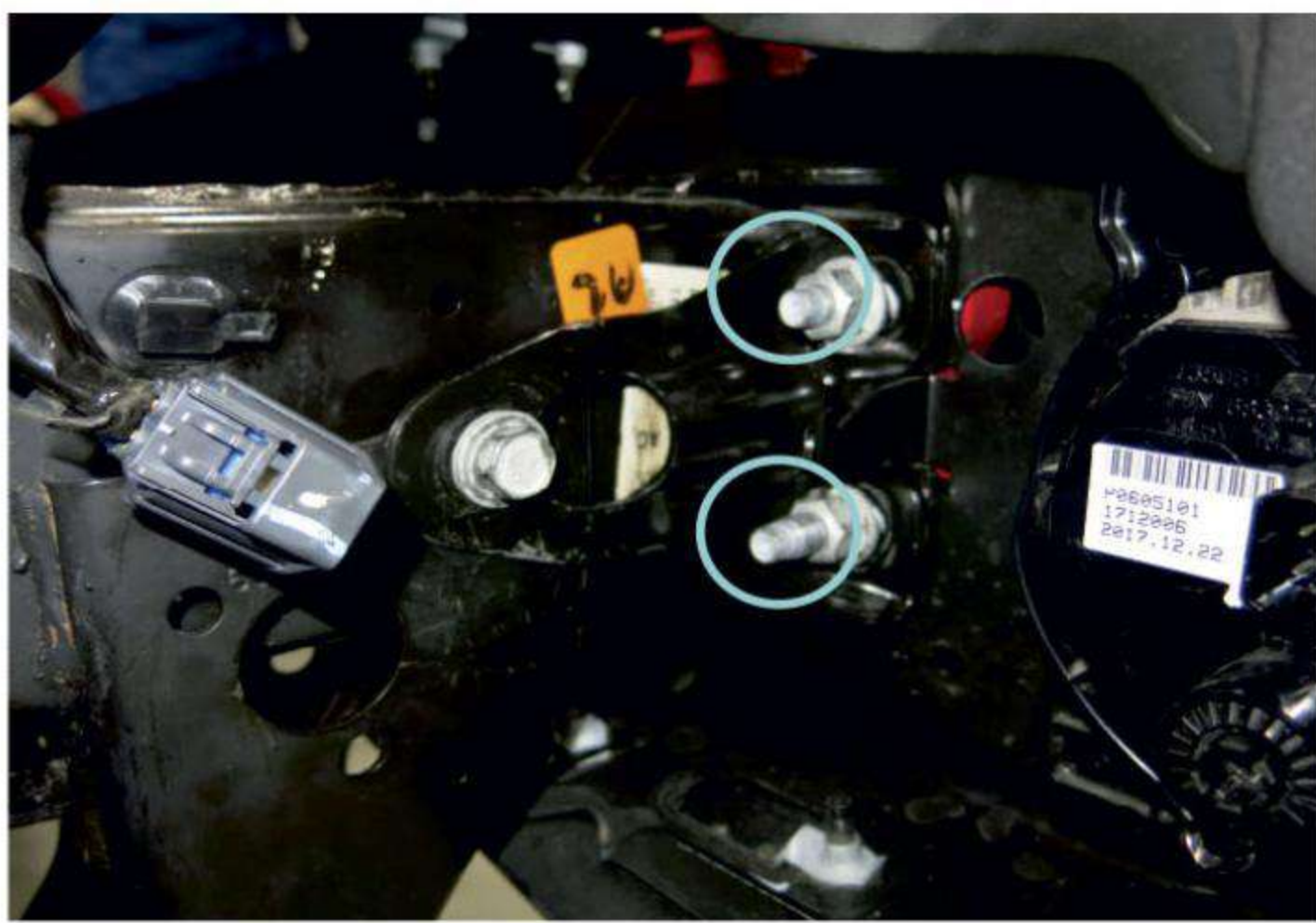


Fig. 7

7. Unscrew 8 nuts from the OE bumper (four on each side). Remove OE bumper, remove horn. Fig. 7.



Fig. 8

8. Remove 4 pcs frame reinforcement (two on each side), by unscrewing OE bolts. Set bolts aside for re-use later on. Fig. 8.

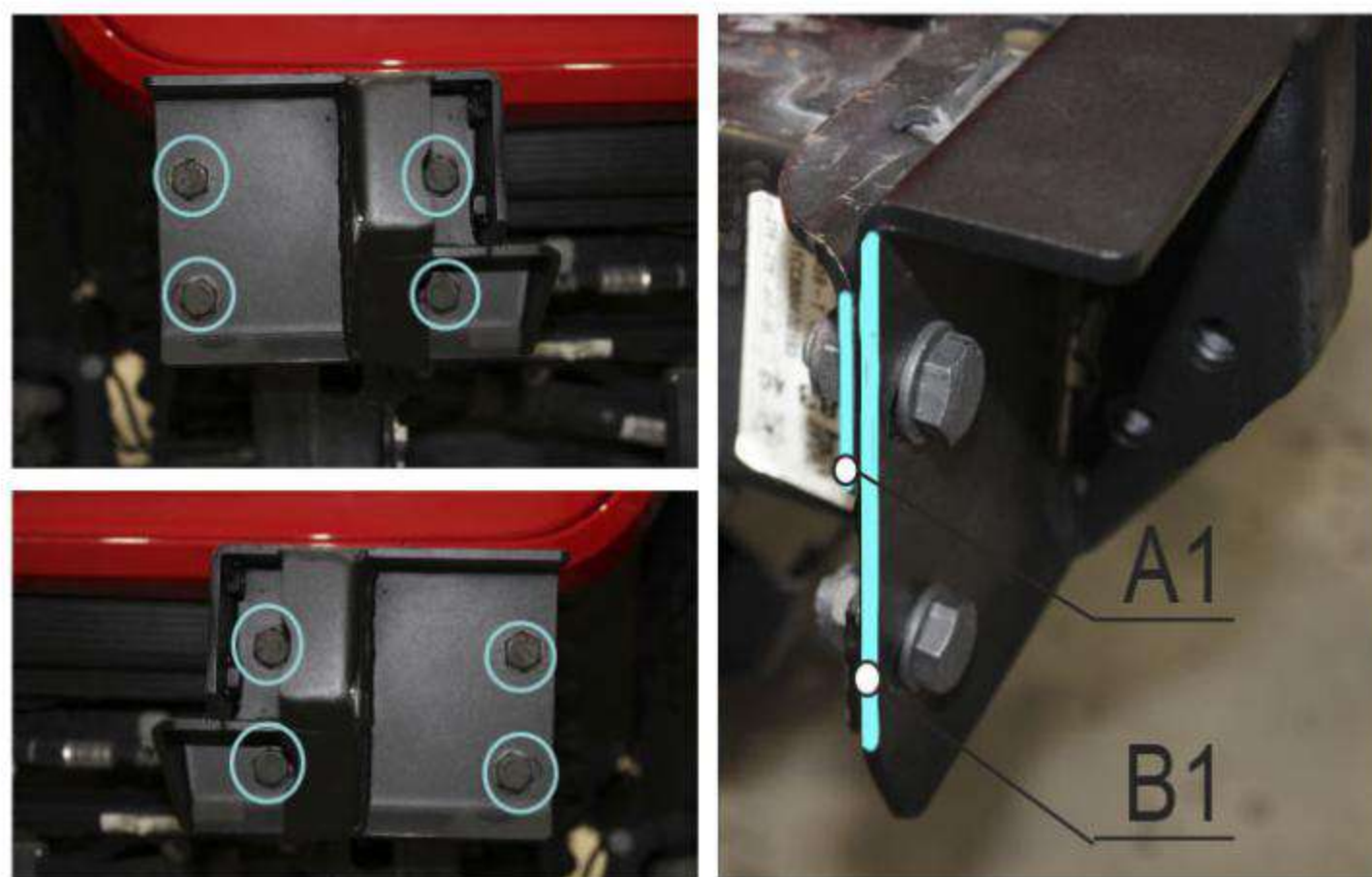


Fig. 9

9. Install left bracket (pos. 13) and right bracket (pos. 14) on the frame. Align parallelly edges of brackets (B1 on fig. 12) and edges of frame (A1 on fig. 9). Fix brackets (pos. 13 and 14) using bolts M12 (pos. F). nuts M12 (pos. J) and two washers 12 (pos. N). Fig. 9.



Fig. 10

10. Install insert nuts (pos. Q) into adapters (pos. 3,4). Unbend the wire. Fig. 10.

Winch bracket installation on JK

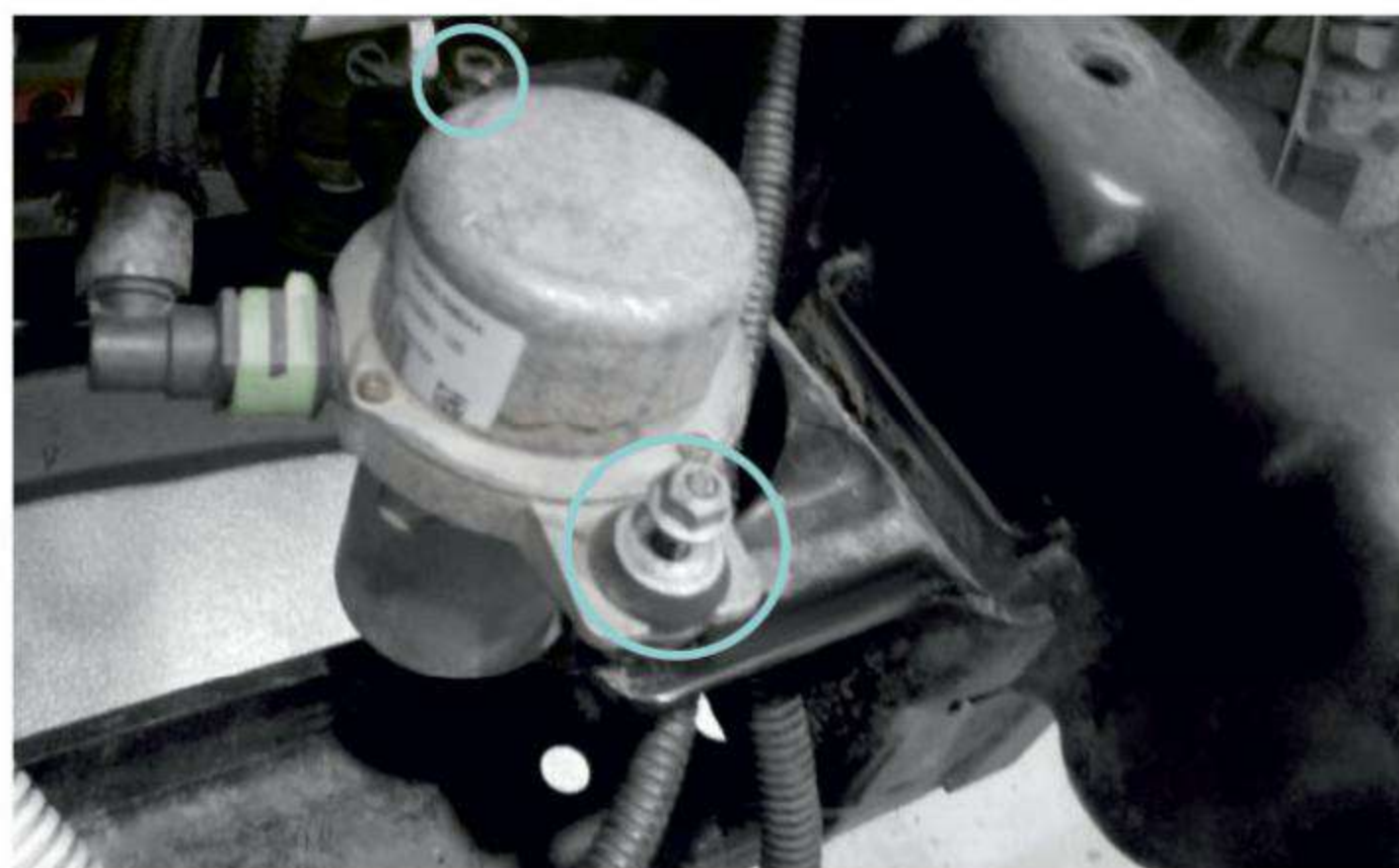


Fig. 11

11. Unscrew vacuum pump nuts and remove vacuum pump. Fig. 11.



Fig. 12

12. Install insert brackets (pos. X1, X2), fix them using bolts M10x20 (pos. E) and flat washers 10 (pos. M) on both sides. Fig. 12. Do not tighten yet.

INSTALLATION PROCEDURE

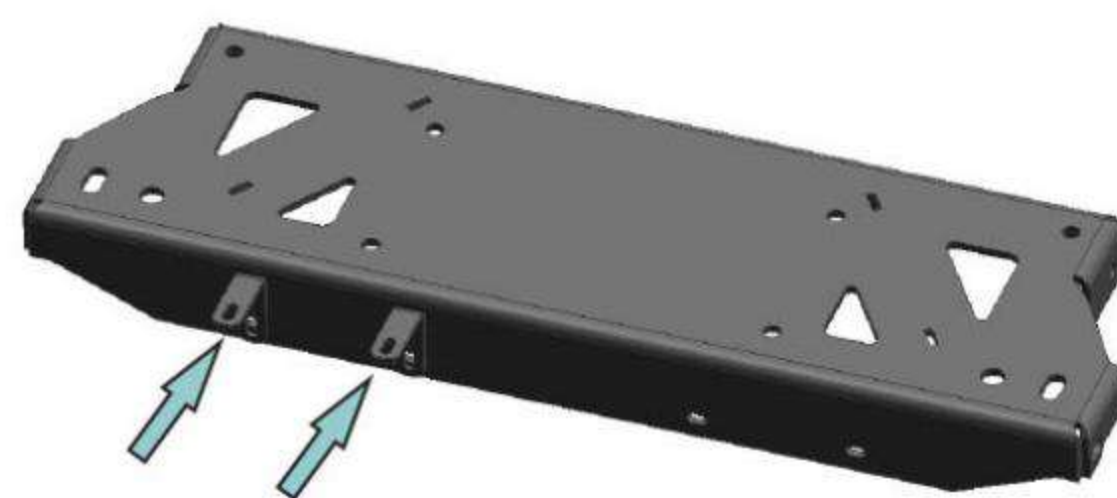


Fig. 13

13. Install vacuum pump bracket (pos.U) on the winch plate bracket using screws 6x20 (pos.A), washers 6 (pos.K), nuts M6 (pos.H). Fig. 13.



Fig. 14



Fig. 15

14. Attach winch bracket on the vehicle, as shown on fig. 14, on brackets shown in fig. 15.



Fig. 16

15. Fix the winch plate bracket (pos.2) with brackets (pos.X1,X2) from the inside, using bolts M10x30 (pos.E1), washers 10 (pos.L). Fig. 16. Do not tighten yet.



Fig. 17

16. Instal adapter (pos.3,4). Fix it to the frame using bolt M10x20 (pos.E), washer 10 (pos.L) and insert nut (pos.P). Fix adapter to the winch plate bracket using screw M10x30 (pos.C), two washers 10 (pos.L) and nut M10 (pos. I.) Fig.17. Tighen hardware after that.

INSTALLATION PROCEDURE



Fig. 18

17. Install vacuum pump on the bracket, preventing contact with radiator. Fix it using bolt M6x35 (pos.B), washers 6 (pos.K) and nuts M6 (pos.H). Fig. 18.

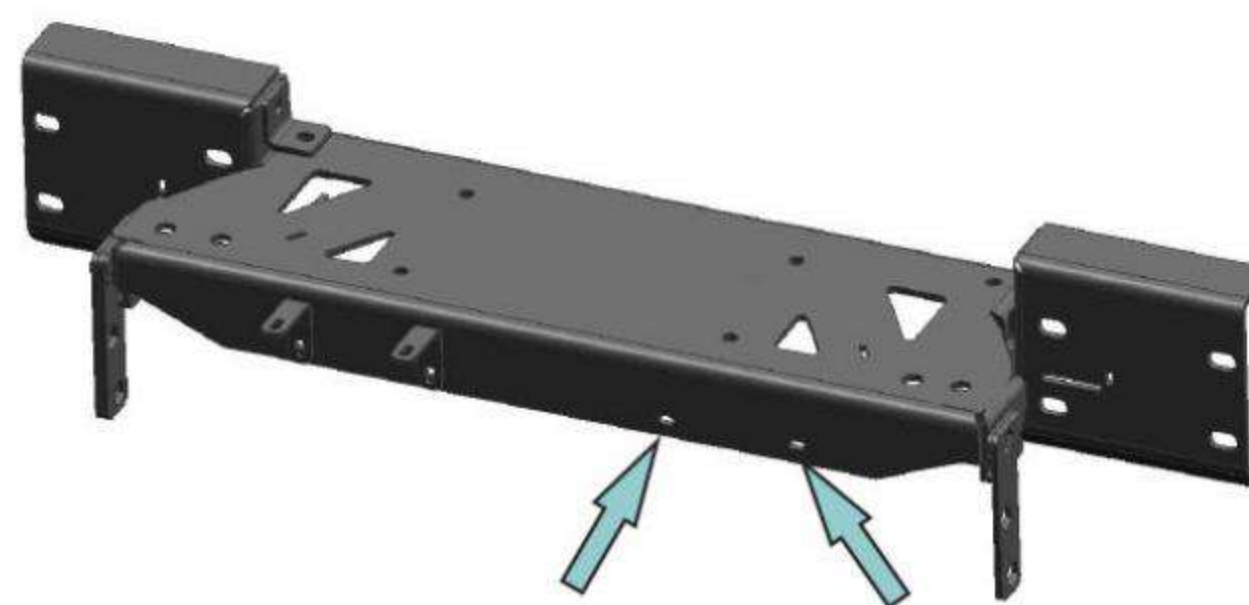


Fig. 19

18. Install horn using OE bracket and bolts M10x20 (pos.E), washers 10 (pos.L) and nuts M10 (pos.I). Fig. 19.



Fig. 20

19. Install skid plate brackets (pos.9,10) using bolts M10x20 (pos.E), washers 10 (pos.L) and inner bracket (pos.P) on both sides. Fig. 20.

Winch mount installation on JL, JT

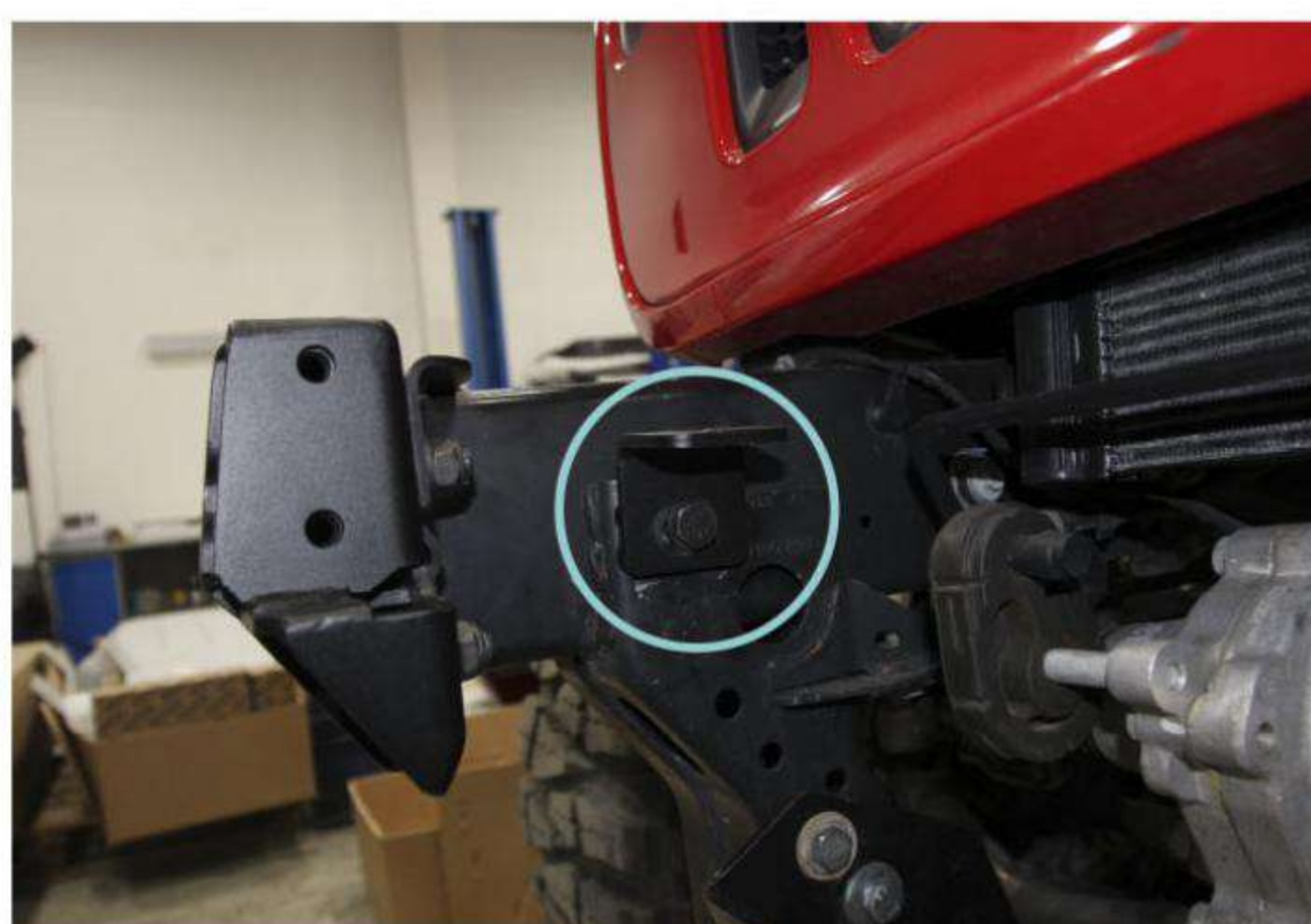


Fig. 21

20. Install adapter (pos.T1,T2). Insert bolt M10x30 (pos.E1) onto winch plate bracket (as shown on fig. 21). Do not tighten yet.

INSTALLATION PROCEDURE



Fig. 22



Fig. 23

21. Attach winch bracket on the vehicle, as shown on fig. 22, on brackets shown in fig. 23.

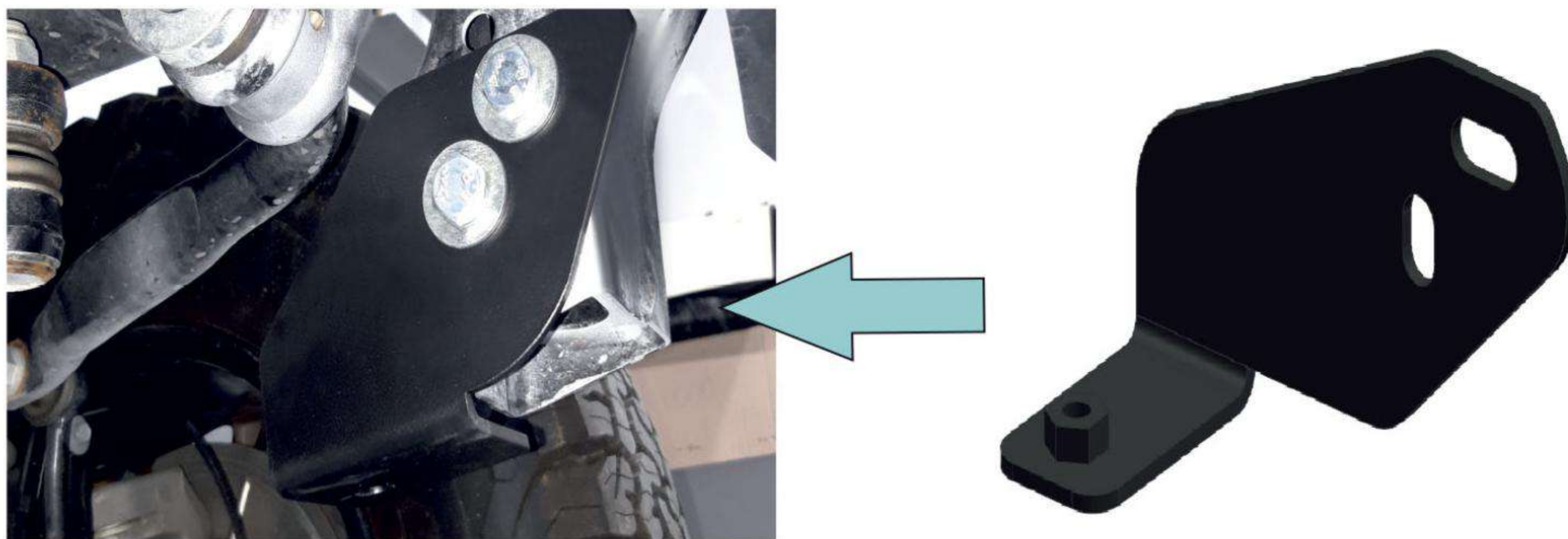


Fig. 24

22. Install skid plate bracket (pos.11,12) using bolts M10x20 (pos.E) and washers 10 (pos.L). If you don't have rivet nuts in the frame, then use inner bracket M10 (pos.V). Fig. 24. Tighten hardware after that.

Installation procedure on JK, JL, JT

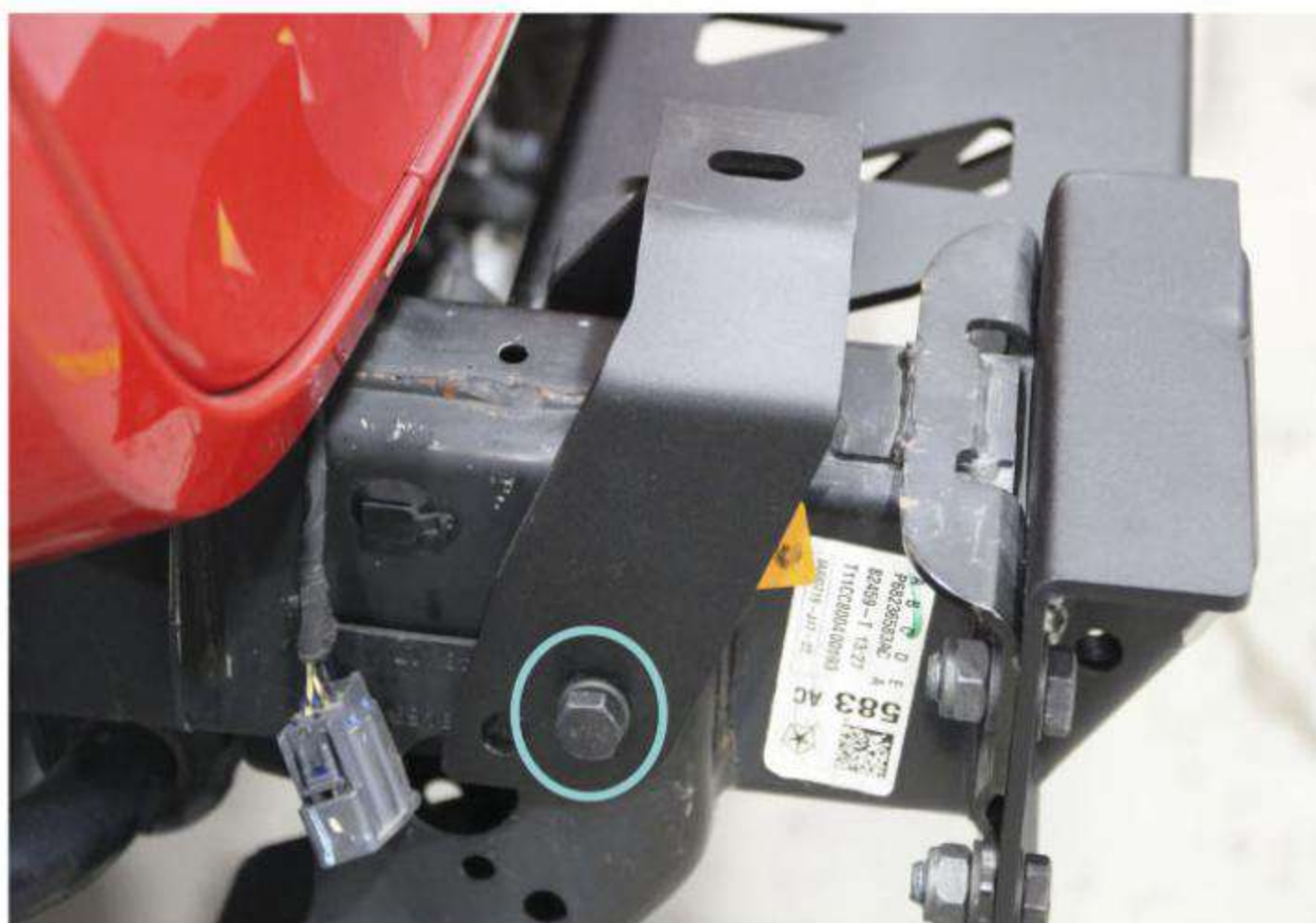


Fig. 25



Fig. 26

23. Install adapter (pos.3,4). Insert bolt M10x30 (pos.E1) onto winch plate bracket (as shown on fig. 25, 26). Do not tighten yet.

INSTALLATION PROCEDURE



Fig. 27



Fig. 28

24. Install left and right adapters (pos. 3 and 4) using screws M10x30 (pos. C), washers 10 (pos. L) and nut M10 (pos. I). Fig. 27, 28. Do not tighten yet.

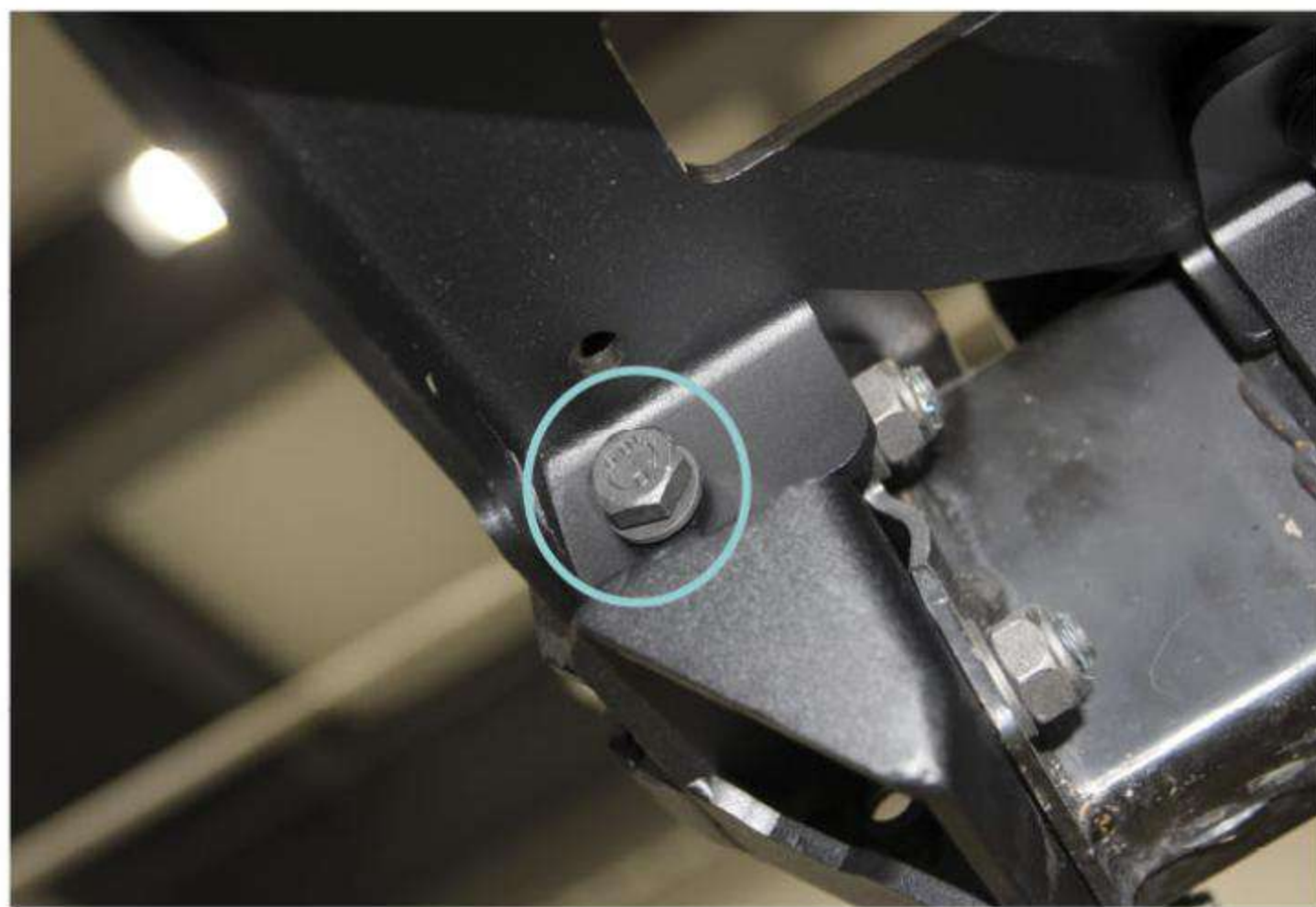


Fig. 29



Fig. 30

25. Fix winch plate bracket using bolts M10x30 (pos. E1), nuts M10 (pos. I) and two washers 10 (pos.L). Fig. 29, 30. Do not tighten yet.



Fig. 31



Fig. 32

26. In case of gap between winch bracket (pos. 2) and left and right brackets (pos. 13, 14) place adjustment plates (pos. Y1) into this gap as shown in fig. 31, 32.

INSTALLATION PROCEDURE



Fig. 33



Fig. 34

27. Install angle strut brackets (pos. U1) on winch bracket (pos. 2). Fix it using bolts M10x30 (pos. E1), nuts M10 (pos. I) and two washers 10 (pos. L). Fig. 33, 34.



Fig. 35

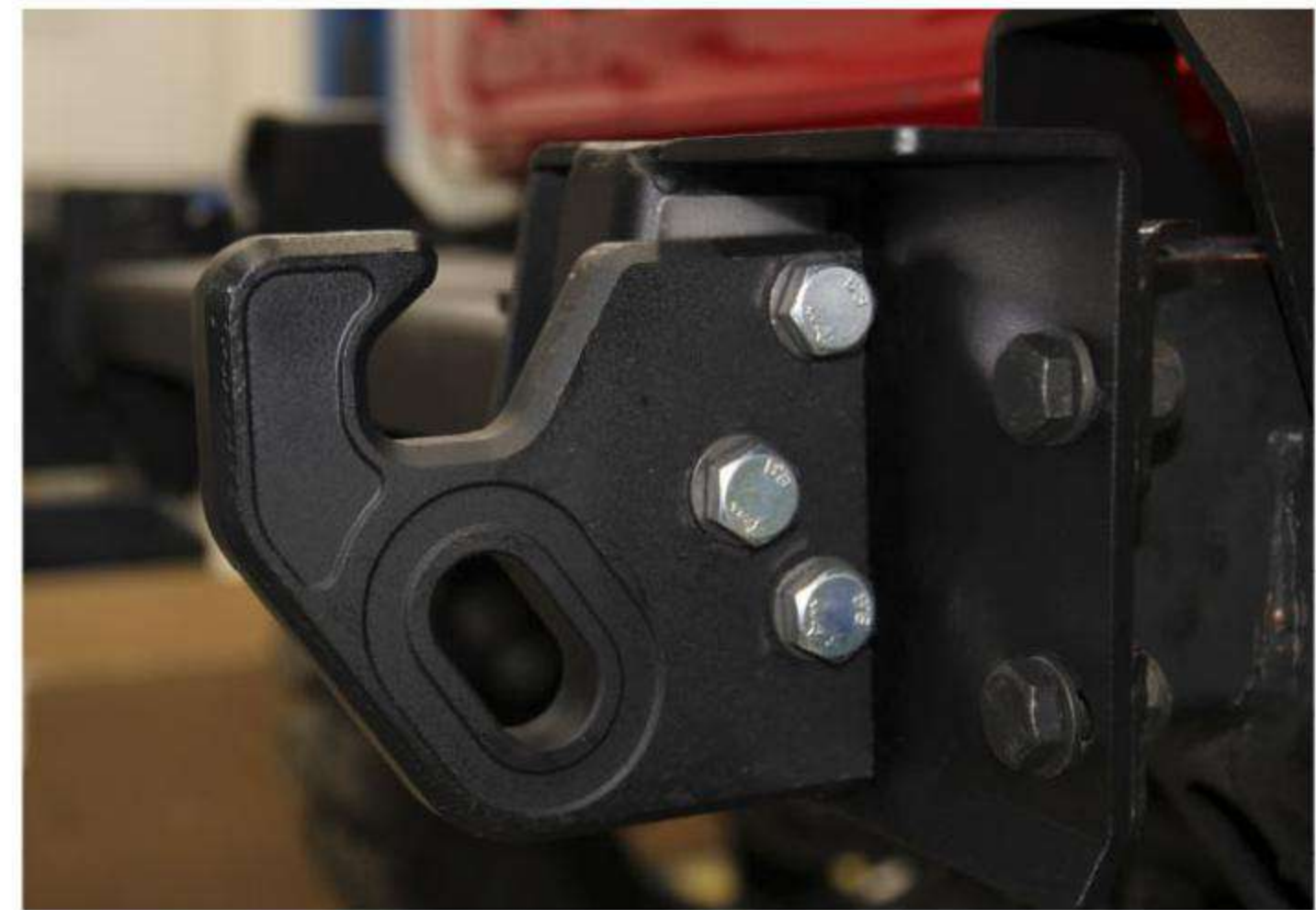


Fig. 36

28. Install tow hooks (pos. 5) on left and right brackets (pos. 13 and 14). Fix it using bolts M12x50 (pos.F1), nuts M12 (pos. J) and two washers 12 (pos.N). Fig. 35, 36. Do not tighten yet.

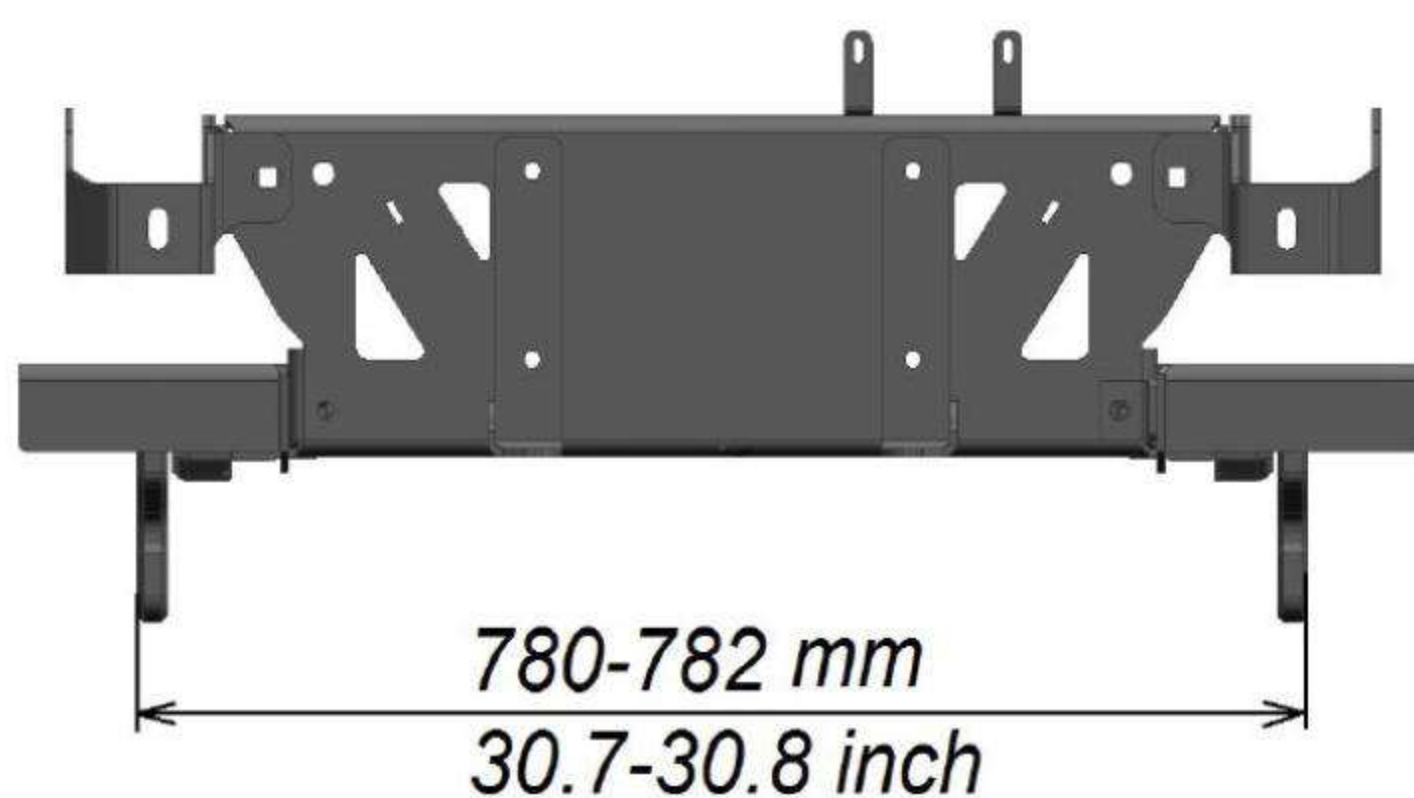


Fig. 37

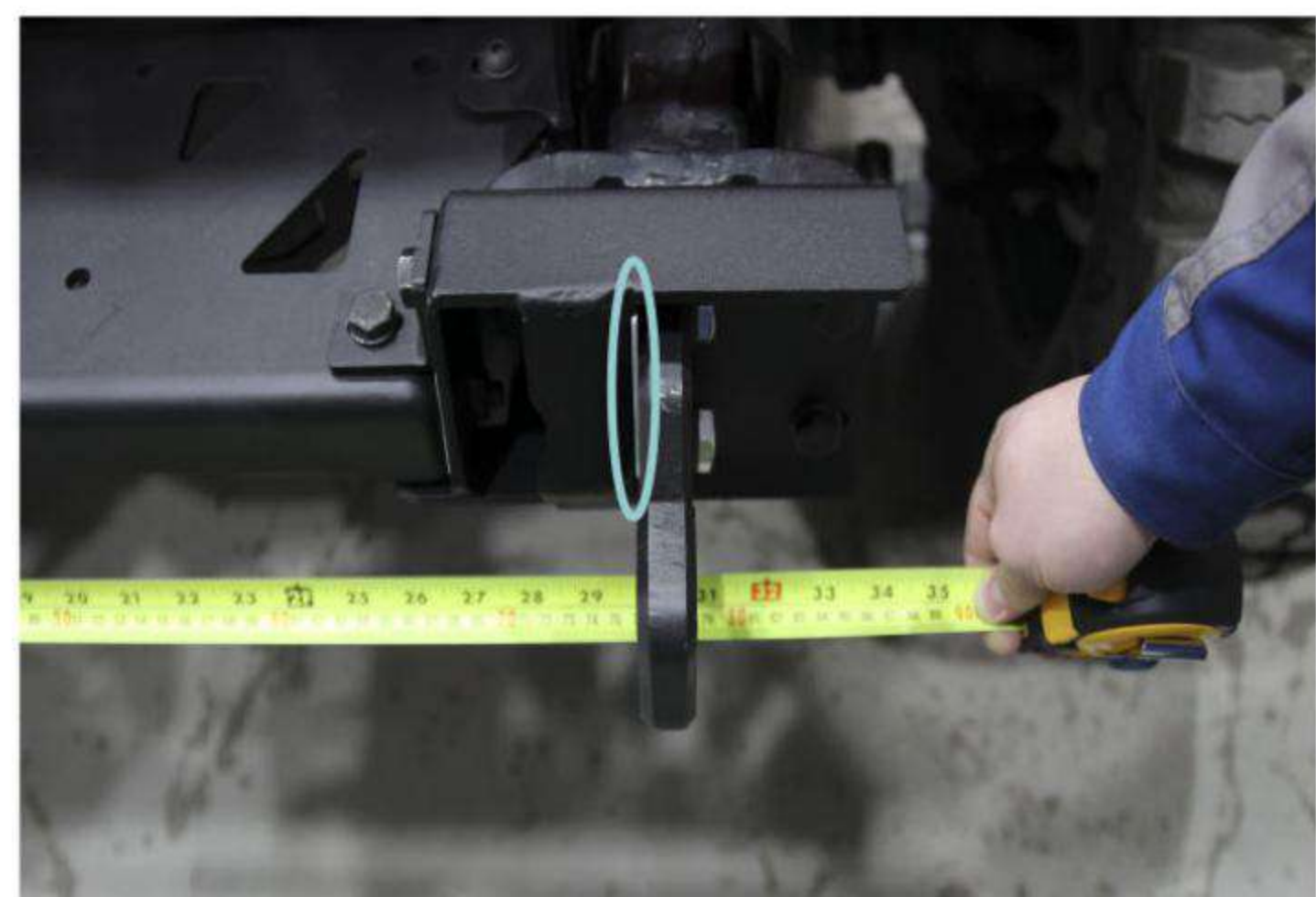


Fig. 38

29. Measure the distance between the outer edges of the tow hooks. The distance should be 30.7-30.8 inch (780-782 mm). If the distance is not equal to 30.7-30.8 inch (780-782 mm), install between the brackets (pos.13, 14) and the tow hook (pos.5) spacer plate 2mm (pos. Y2). Install an equal quantity of spacers on the left and right sides. Fig. 37, 38. Tighten hardware after that.

INSTALLATION PROCEDURE



Fig. 39

30. Install Fairlead right bracket (pos. 15) and Fairlead left bracket (pos. 16) on winch bracket (pos. 2). Fig. 39.



Fig. 40

31. If you are going to use winch, install winch on fairlead brackets (pos. 13 and 14), fix winch on winch bracket using hardware supplied with winch. Fig. 40. Tighten hardware after that.

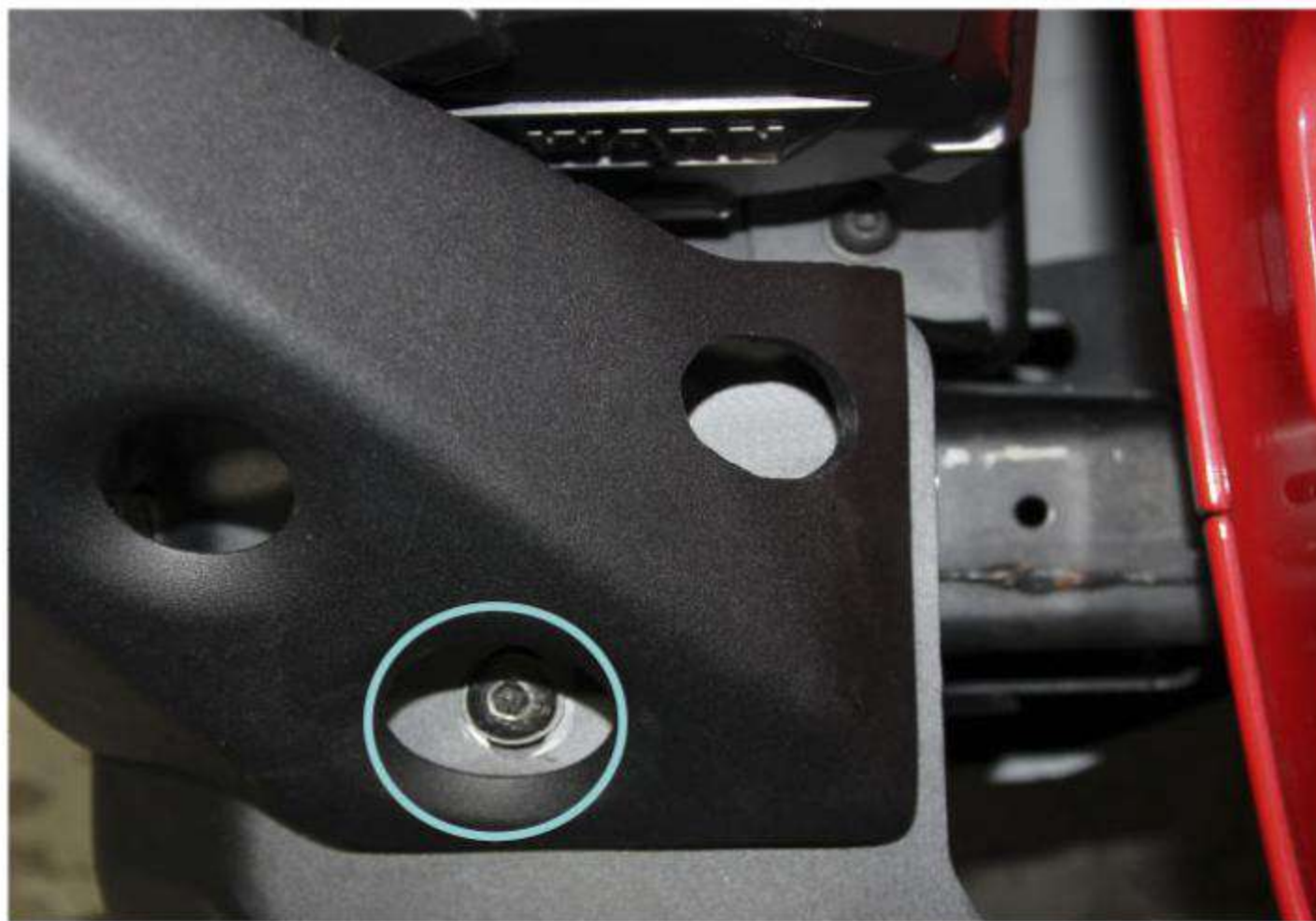


Fig. 41



Fig. 42

32. Install lightbar (pos. 6) onto the bumper body (pos.1), using screws M10x30 (pos. C), washers 10 (pos. L) and Nut M10 (pos. I). Fig. 41, 42. Tighten hardware after that.



Fig. 43



Fig. 44



Fig. 45

33. Install aluminum bumper body (pos. 1) onto the vehicle. Attach it using screws V10x30 (pos. C) and washers 10 (pos. L) to left and right adapters (pos. 3 and 4). Fig. 43, 44, 45. Do not tighten yet.

INSTALLATION PROCEDURE



Fig. 46



Fig. 47

34. Install skid plate (pos 8) on skid plate brackets (pos. 9,10 for JK or pos. 11,12 for JL, JT). Fix it using screws M10x40 (pos.G) and countersunk washers (pos.O). Fig. 46, 47. Do not tighten yet.



Fig. 48



Fig. 49

35. Install inner brackets (pos. W) from the inside of the bumper (pos.1) on both sides. Fig. 48, 49.



Fig. 50



Fig. 51

36. Fix skid plate (pos. 8), using screws M10x40 (pos. G), countersunk washers (pos. O) on inner brackets (pos. W), that were installed in step 36 as shown in fig. 50, 51. Tighten hardware after that.

INSTALLATION PROCEDURE



Fig. 52

37. Install fairlead. Fix it using two screws M10x50 (pos.D) and washers 10 (pos.L). Fig. 52. Tighten hardware after that.

If you are going to use winch, please install fairlead (fairlead is not included to bumper).

LED lights installation for 2D.2701.2-NL full width bumper only



Fig. 53

38. Install LED lights to LED brackets (pos.7). Fig. 53.

LED lights are not supplied with bumper.



Fig. 54

39. Install LED lights from the inside of the bumper. Fix it using screws M6x20 (pos.A), washer 6 (pos.K).

If you don't have LED lights, install the LED light cap (pos. Y) with screws M6x20 (pos. A), washers 6 (pos. K), LED brackets (pos.7). Fig. 54.

Tighten hardware after that.
Fix wire on the bumper, using cable tie (pos.S) and cable clips (pos.R).

For your convenience connect LED wires with plug before aluminium bumper body installation.

INSTALLATION PROCEDURE

Before operating a vehicle fitted with RIVAL Bumper 2D.2701.2-NL or 2D.2702.2-NL:

- make sure all fittings are tightened
- check winch operation
- check all electrical wiring attached to lights



Thank you for your choice!

Sincerely,

RIVAL 4x4 Team