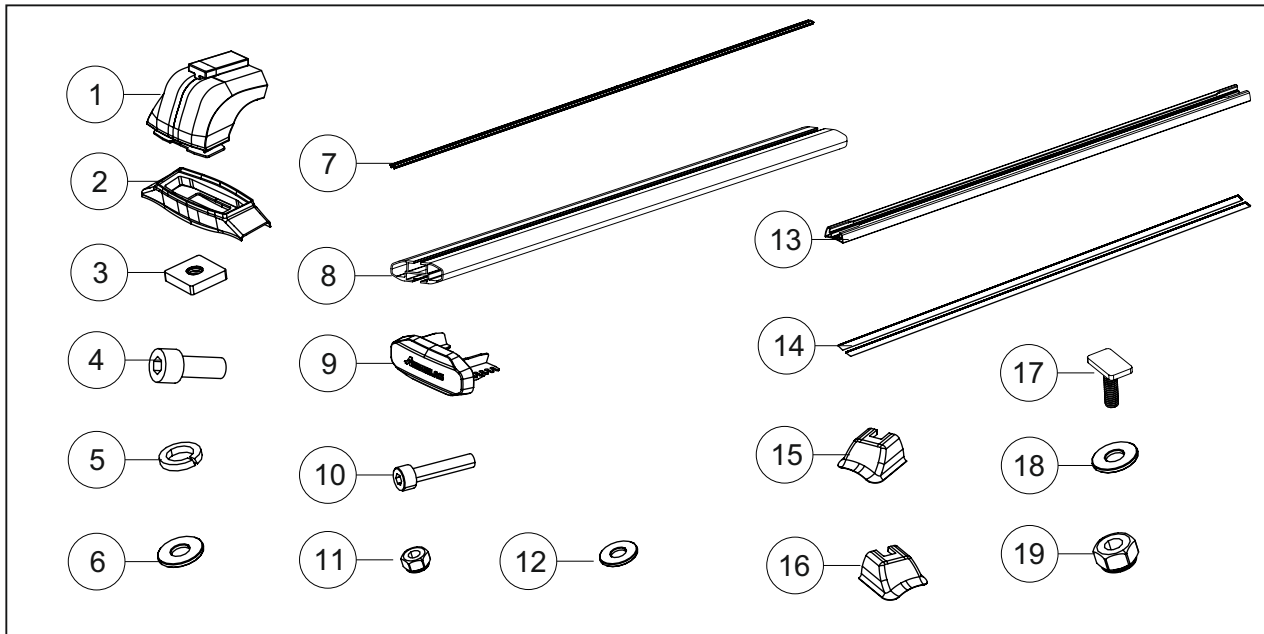
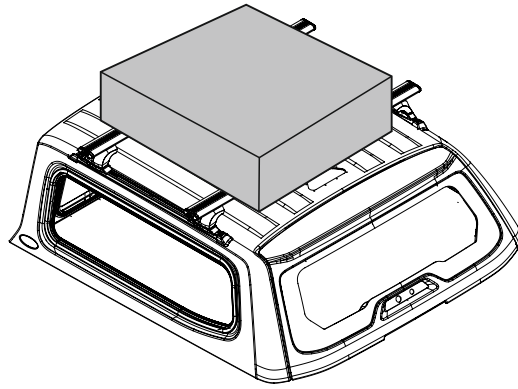


Parts List



Items	Component Name	Part No.	Q'ty	Tools
AEROKLAS UNIVERSAL ROOF RACK LEG(SET)				
1.	ROOF RACK LEG	102000000940	4	1. Tape Measure
2.	ROOF RACK LEG COVER	102060000942	4	2. Ø4 Drill Bit
3.	PLATE-SLOT M8(20x20x4.5)	102060000060	4	3. Ø8 Drill Bit
4.	SOCKET BOLT M8x20	102060000060	4	4. Drill
5.	SPRING WASHER M8	102000000941	4	5. Marking Tape
6.	PLAIN WASHER M8(OD18x1)	102040000072	4	6. Marker
AEROKLAS UNIVERSAL CROSS BAR(SET)				7. Silicone
7.	RUBBER STRIP (L1375)	102000000944	2	8. Soldering Iron
8.	CROSS BAR (L1375)	102060000943	2	9. Hex Wrench
9.	CROSS BAR ENDCAP	102060000945	4	10. Wrench
10.	SOCKET BOLT M4x20	102060000061	4	
11.	NYLON NUT M4	102000000946	4	
12.	PLAIN WASHER M4 (OD10x0.8)	102040000073	4	
AEROKLAS UNIVERSAL ROOF RAIL(SET)				
13.	TRACK(L885)	102000000947	2	
14.	FOAM CR+ADHESIVE TAPE 2 SIDE (10x885x1.3)	102060000065	4	
15.	TRACK ENDCAP LR/RF	102060000948	2	
16.	TRACK ENDCAP LF/RR	102060000949	2	
17.	T-BOLT M6x20	102000000062	14	
18.	PLAIN WASHER M6 (OD24x2)	102040000074	14	
19.	NYLON NUT M6	102040000950	14	



Max load on top 100 kg

Please refer to your vehicle manufacturers handbook for maximum carrying capacity. Always use the lower of the two figures. Load must be evenly distributed over the entire Pioneer. Weight of roof rack accessories is to be included in cargo allowance.

Torque settings:

Unless stated otherwise in these instructions, all fasteners should be set to the following torque settings - M6: 4-5Nm (3-4lbs/ft), M8: 8-10Nm (6-7.5lbs/ft) and M10: 16-18Nm (12-13lbs/ft).

Warning:

- Check Part No. and/ or Kit is correct for use with your vehicle
- Do not attempt to fit the rack system to your vehicle unless you fully understand these fitting instructions. Please direct any questions regarding fitting to the dealer from where the roof racks were purchased.
- Use only non-stretch fastening ropes or straps.
- The handling characteristics of the vehicle changes when you transport a load on the roof. For safety reasons we recommend you exercise extreme care when transporting wind-resistant loads. Special consideration must be taken into account when cornering and braking.
- Although the system is tested and approved to AS1235-2000, off-road conditions can be much more rigorous. Extreme care must be taken in off road conditions.
- Roof racks must be removed when vehicle is put through an automatic car wash.

Recommendations:

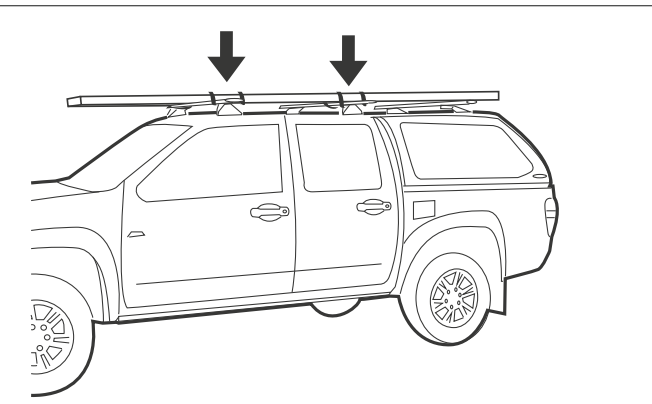
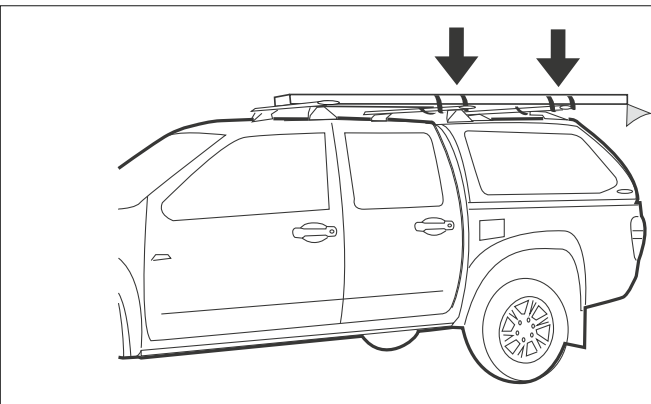
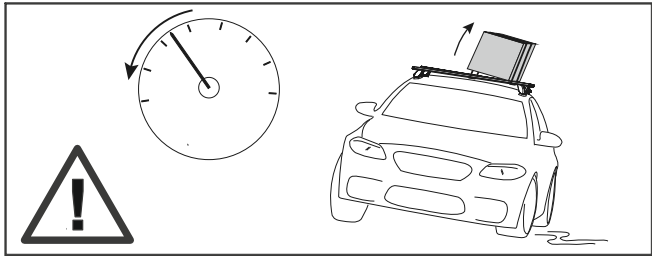
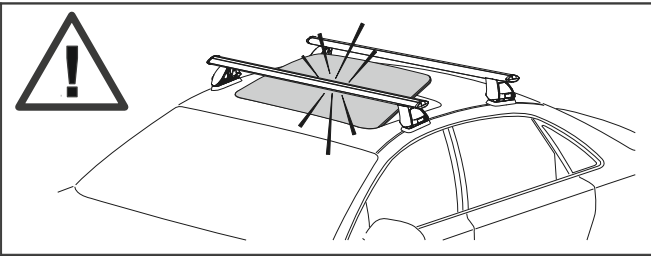
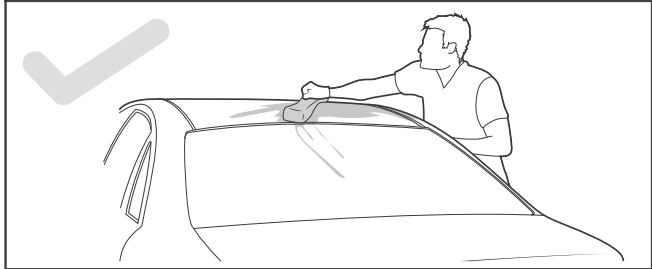
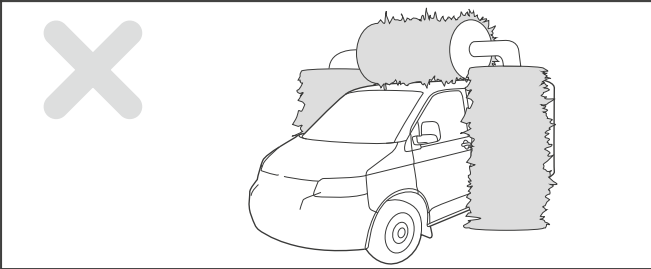
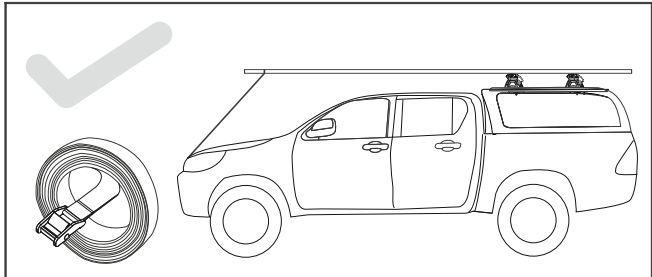
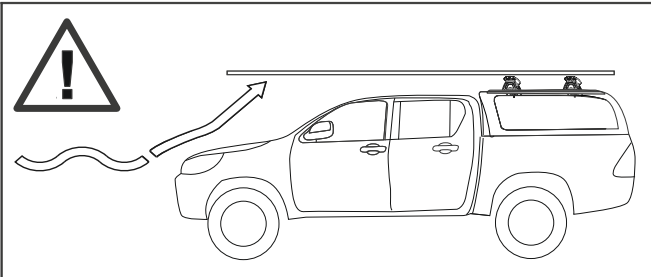
It is essential that all bolt connections be checked after driving a short distance when you first install your roof racks.

Bolt connections should be checked again at regular intervals (once a week is enough, depending on road conditions, usage, loads and distances travelled).

You should also check the roof racks each time they are re-fitted. Always make sure to fasten your load securely. Please also ensure that all loads are evenly distributed and that the centre of gravity is kept as low as possible and must be entirely contained within the extents of the roof racks.

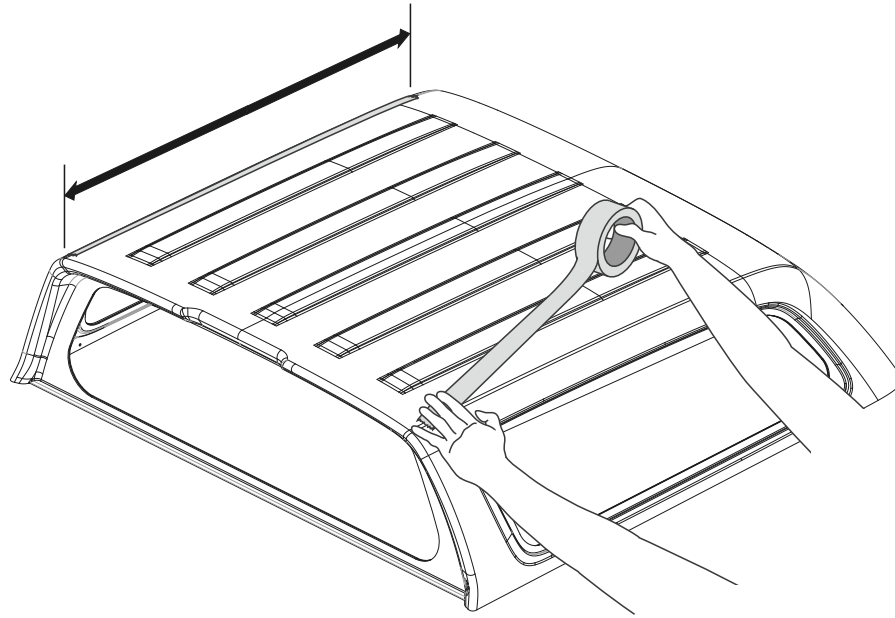
Note for Dealers and Fitters:

It is your responsibility to ensure these fitting instructions are given to the end user or client

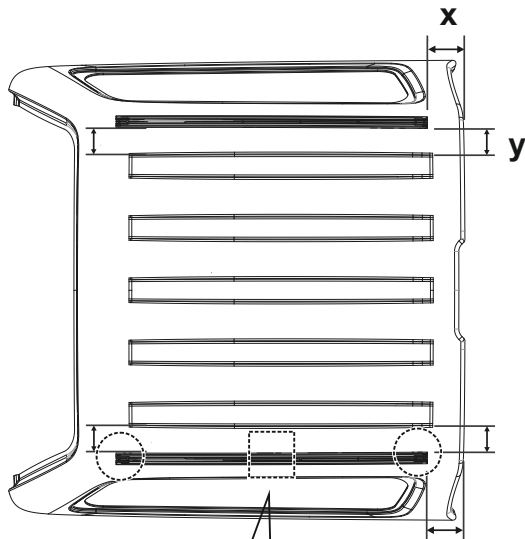


1

Place masking tape onto the canopy to adequately cover the approximate area to be drilled protecting the polished canopy finish from being scratched during installation.



2



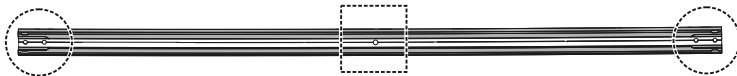
Vehicle Model	Canopy	Y	X
Ford Ranger Gen 2015	Stylish	120	221
	Buddy	125	186
Ford Ranger Gen 2022	Stylish	127	273
	Stylish Plus	88	212
	Innover	28	203
Isuzu D-Max Gen 2019	Stylish	245	275
	Innover	261	192
Toyota Hilux Revo Gen 2015	Stylish*	180	262
	Buddy	122	203
Volkswagen Amarok Gen 2023 (UK)	Stylish	142	275
	Innover	18	218
Nissan Navara Gen 2021 (Minor Change)	Stylish	166	258
Nissan Navara Gen 2021 (EU)	Stylish*	165	268
Mitsubishi Triton Gen 2015	Stylish	129	147
Mitsubishi Triton Gen 2019	Innover	302	160

Drilling 5 positions :

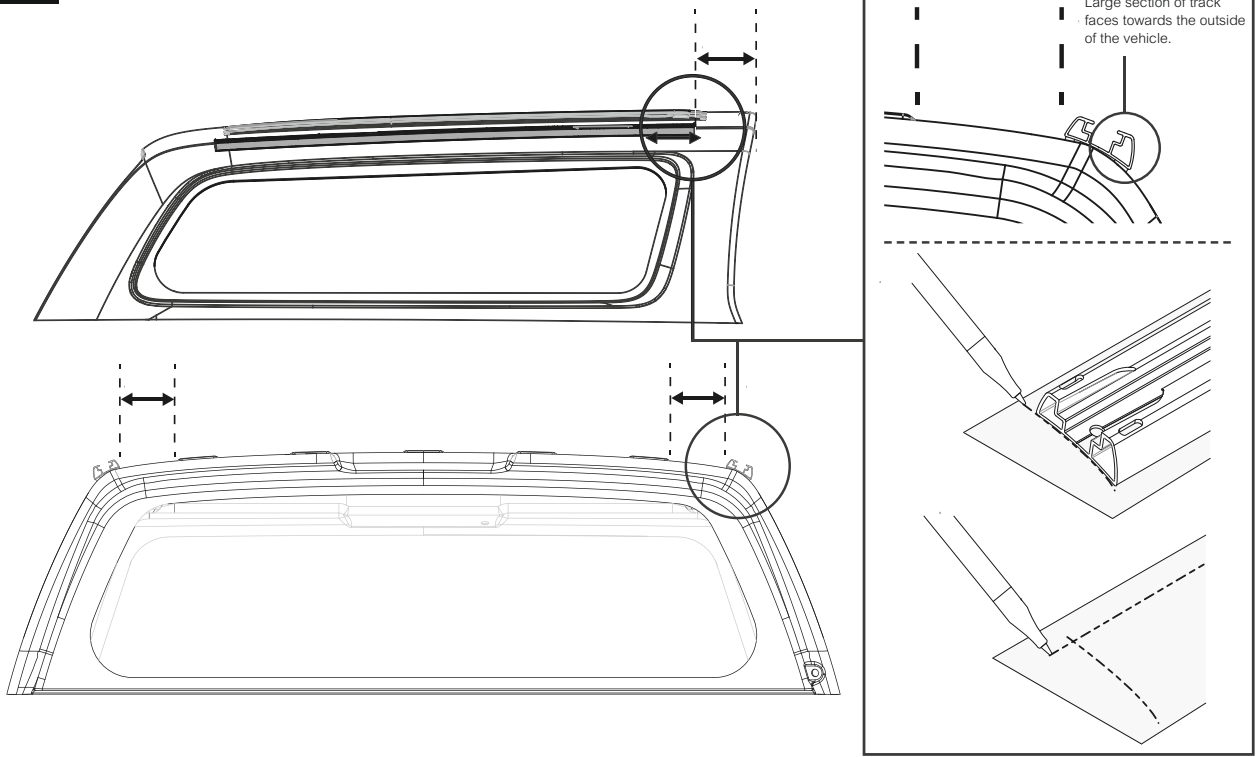
Toyota Hilux Revo Gen 2015 Stylish*

Nissan Navara Gen 2021 (EU) Stylish*

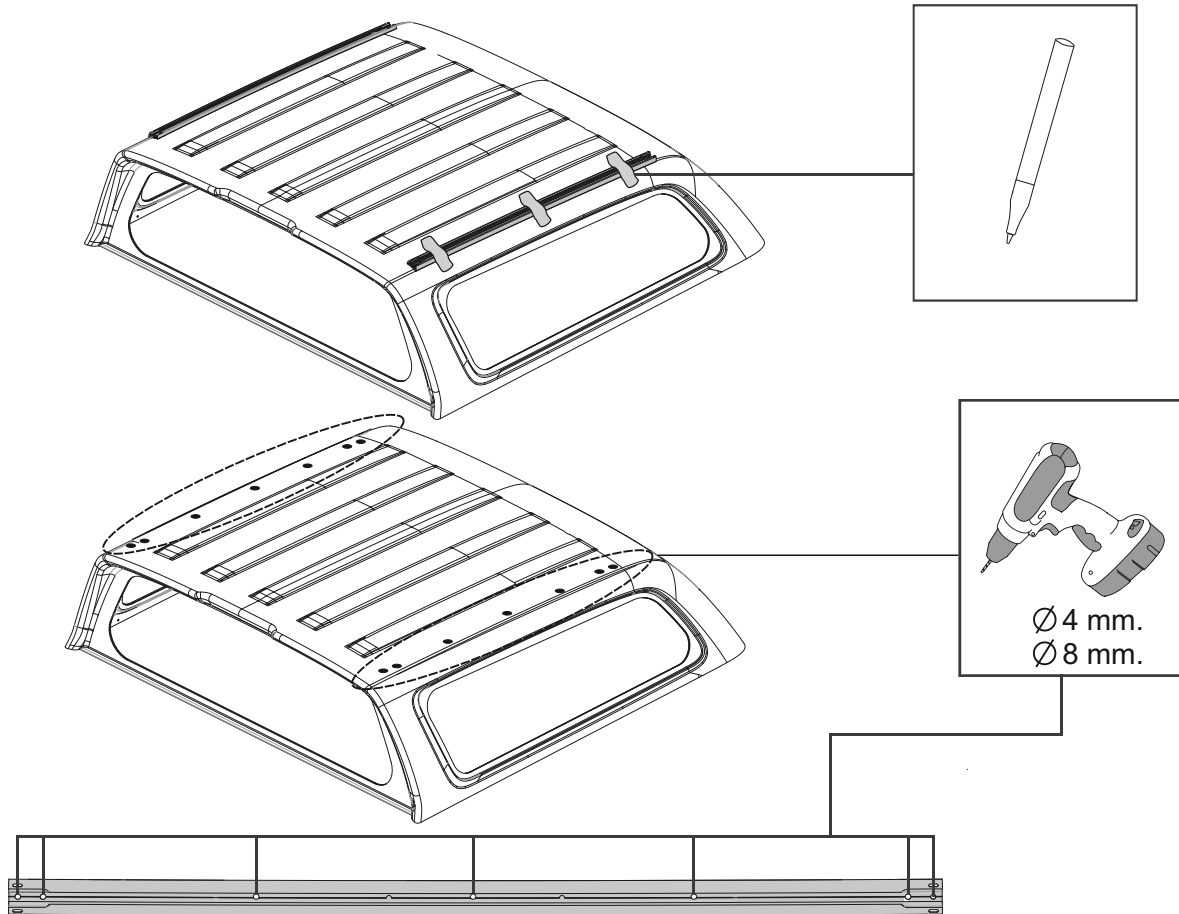
Note : Detail for drilling 5 positions.



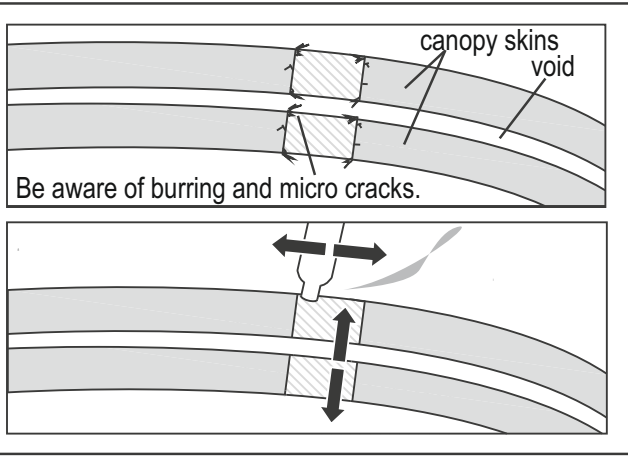
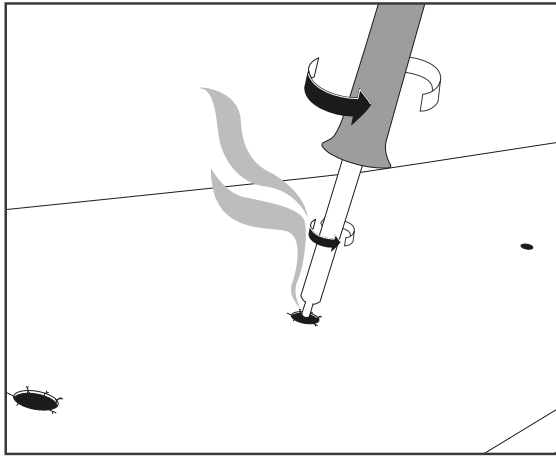
3



4

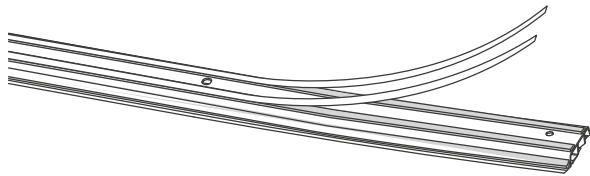


5

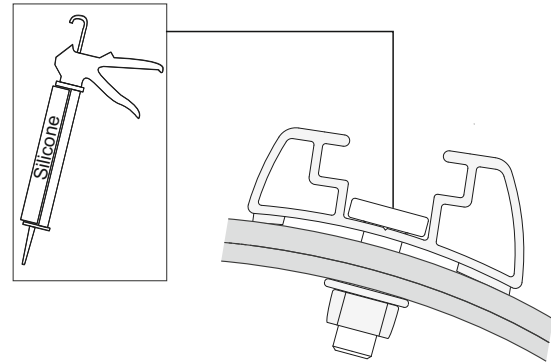


6

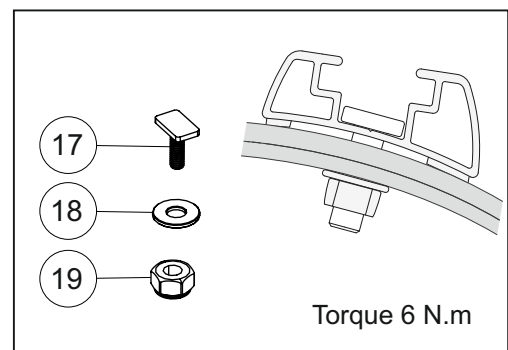
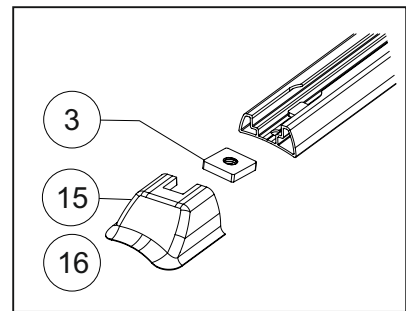
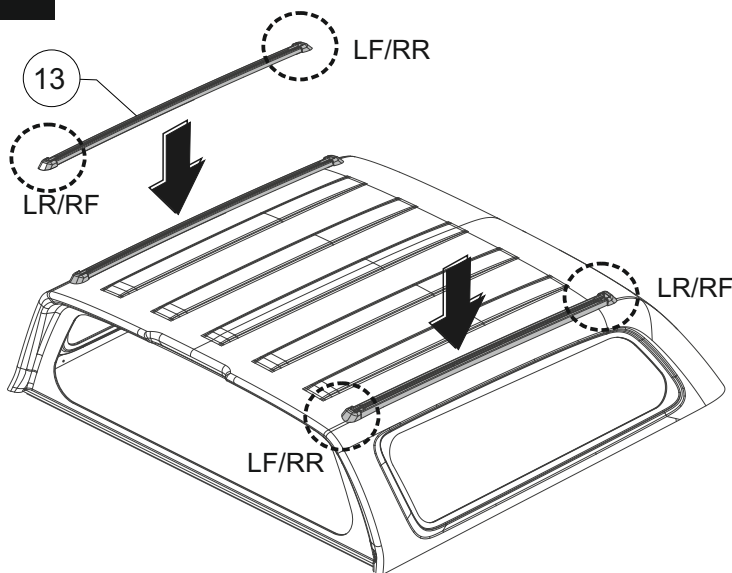
Remove the backing tape from the track mount.



7



8



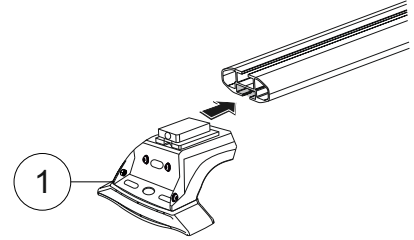
Note : Repeat steps 1-8 opposing side

Assembly :

9

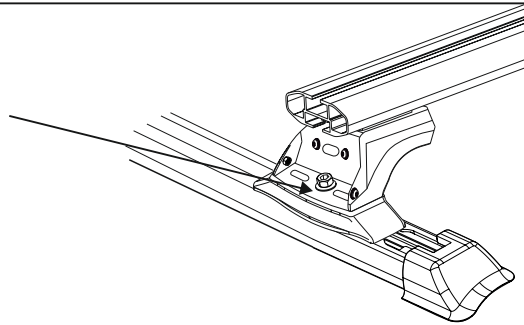
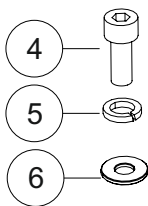
(X) For Drill \varnothing 4.5 mm

(X) A B C



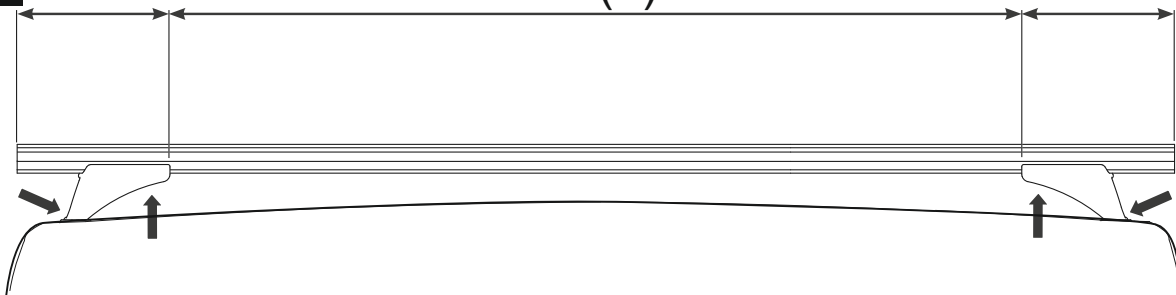
Vehicle Model	Canopy	(X)	A	B	C
Ford Ranger Gen 2015	Stylish	190 mm.			
	Buddy		X		
Ford Ranger Gen 2022	Stylish	190 mm.			
	Stylish Plus		X		
Isuzu D-Max Gen 2019	Innover		X		
	Stylish		X		
Toyota Hilux Revo Gen 2015	Buddy		X		
	Stylish		X		
Volkswagen Amarok Gen 2023 (UK)	Innover		X		
	Stylish	190 mm.			
Nissan Navara Gen 2021 (Minor Change)	Stylish	220 mm.			
Nissan Navara Gen 2021 (EU)	Stylish	220 mm.			
Mitsubishi Triton Gen 2015	Stylish		X		
Mitsubishi Triton Gen 2019	Innover		X		

10

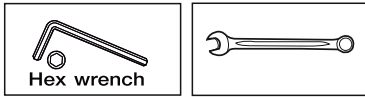
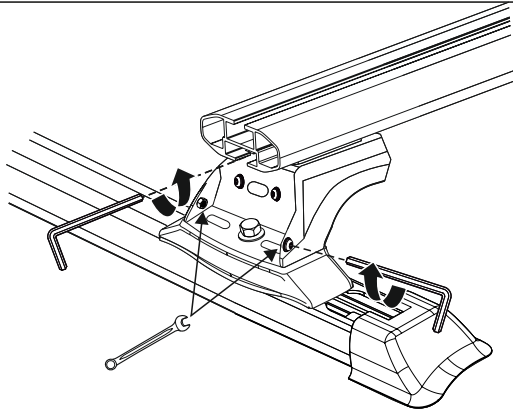


11

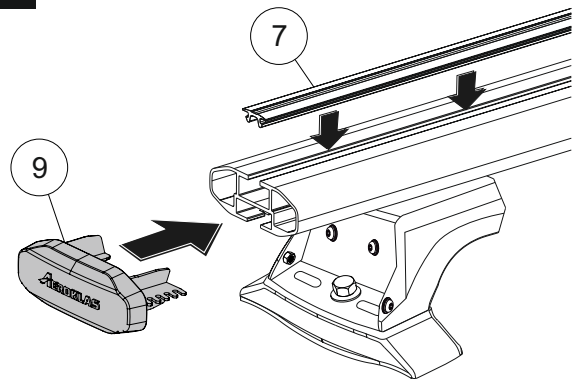
(=)



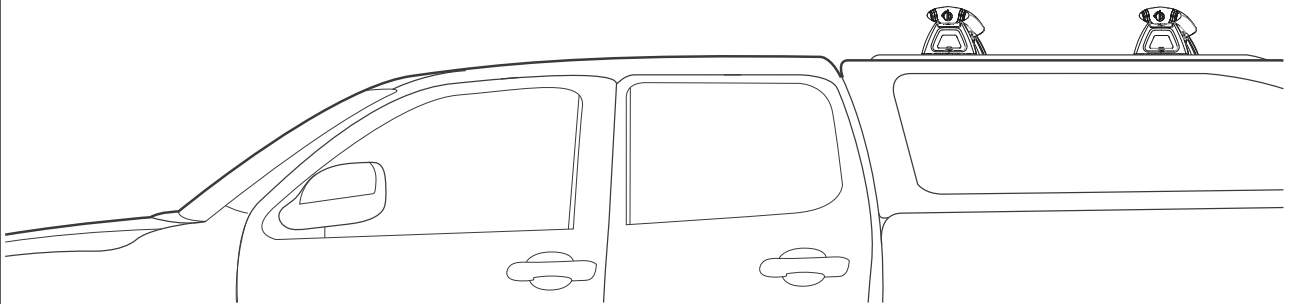
12



13



14



15

check all fasteners are secure.

